

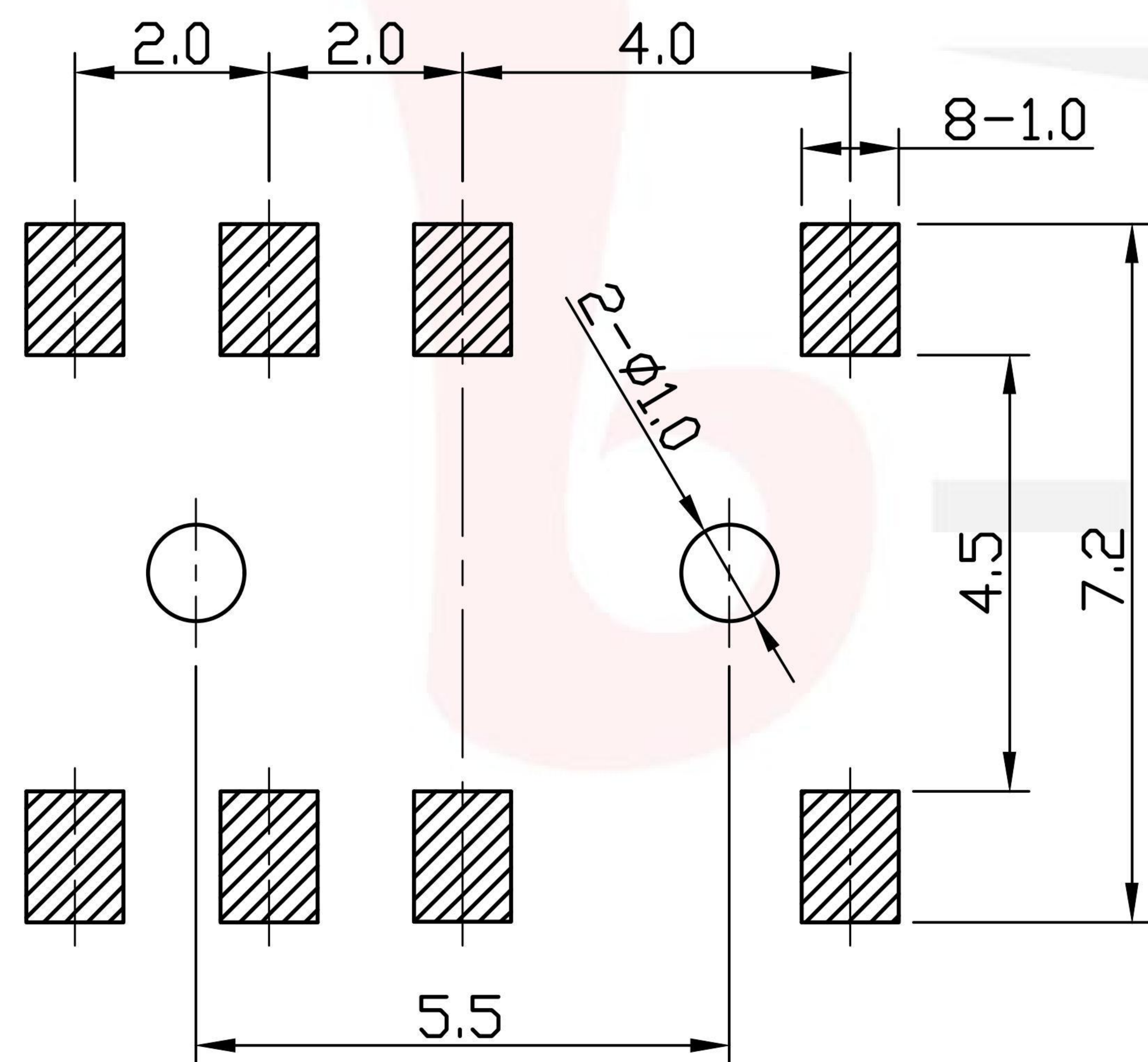
MS-23C01-GXXX

直拨形式

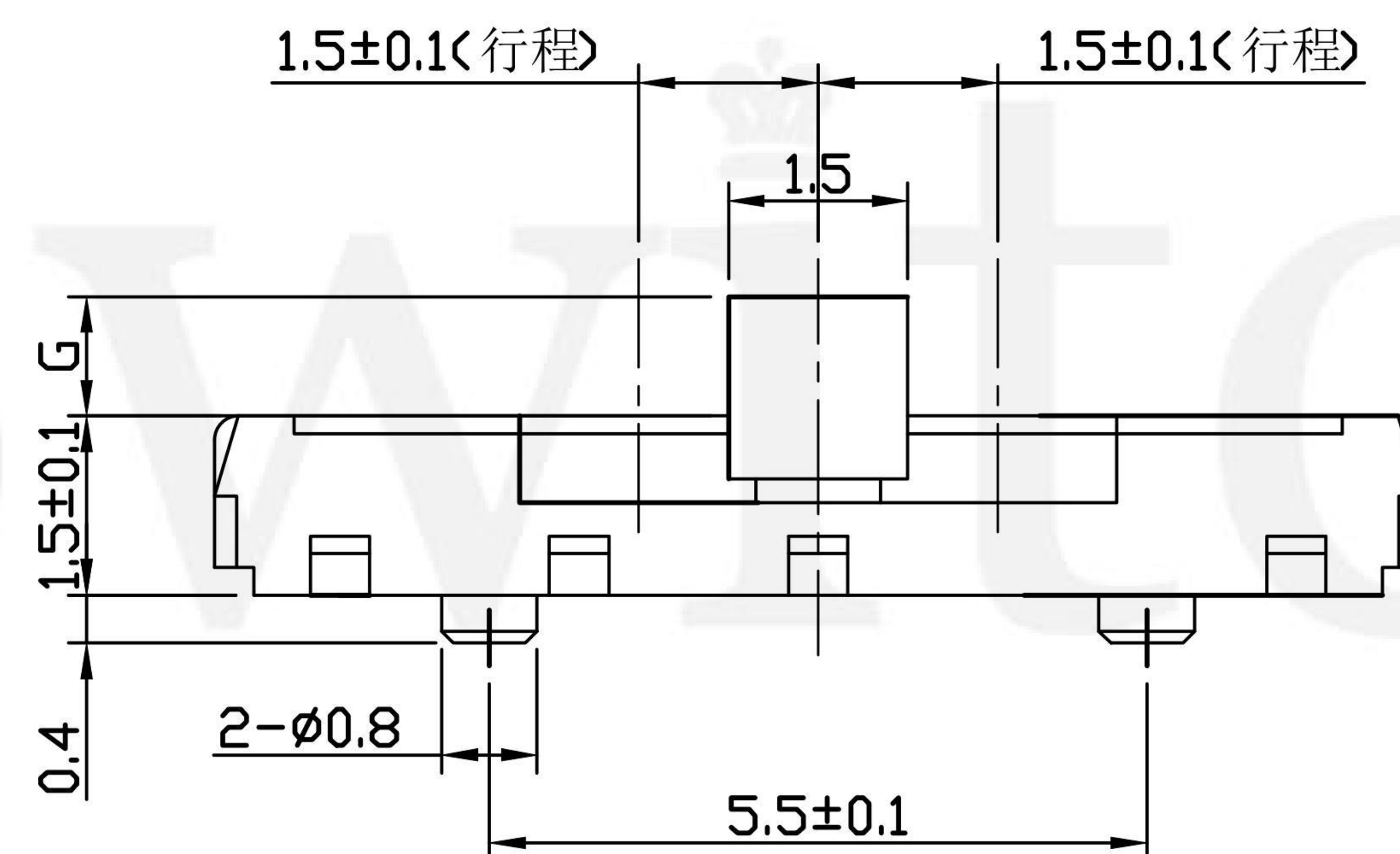
G-Switch P/N

Switch Height (mm)

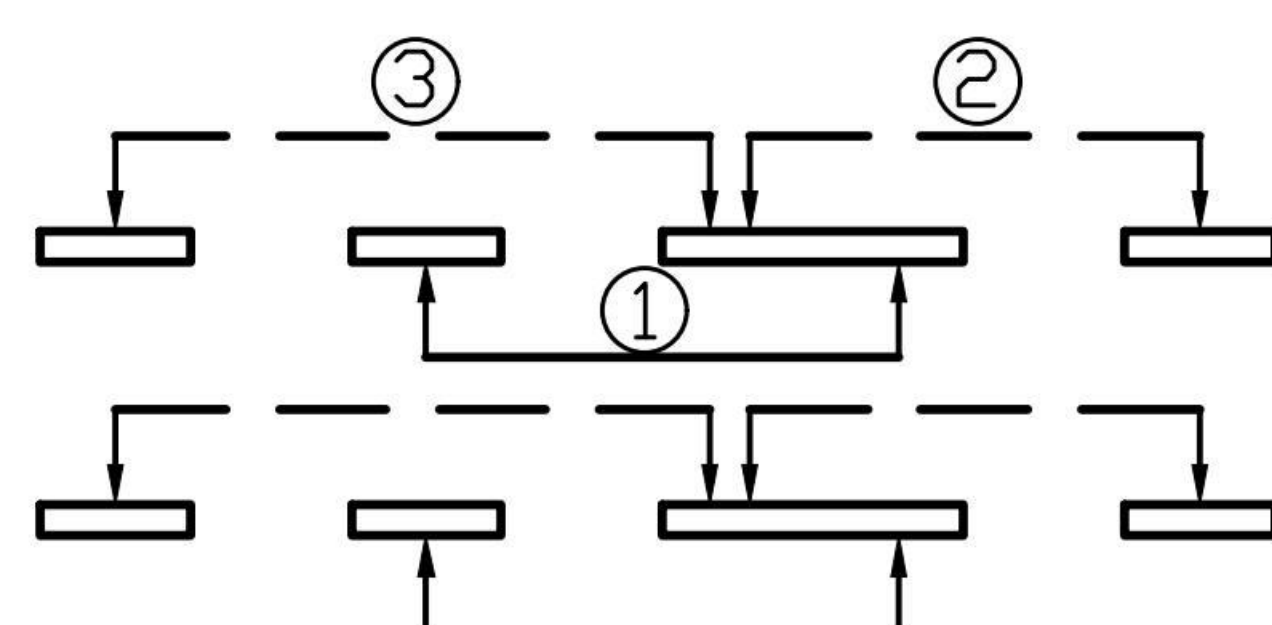
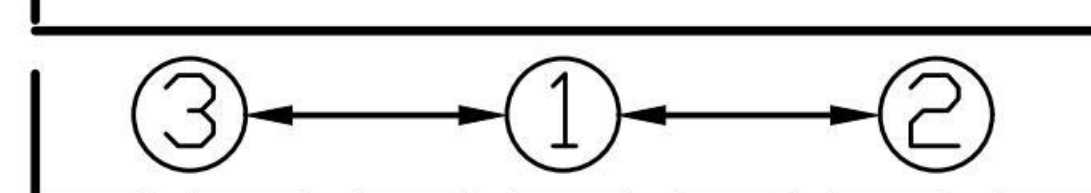
G010=1.0 G015=1.5
G020=2.0 G025=2.5



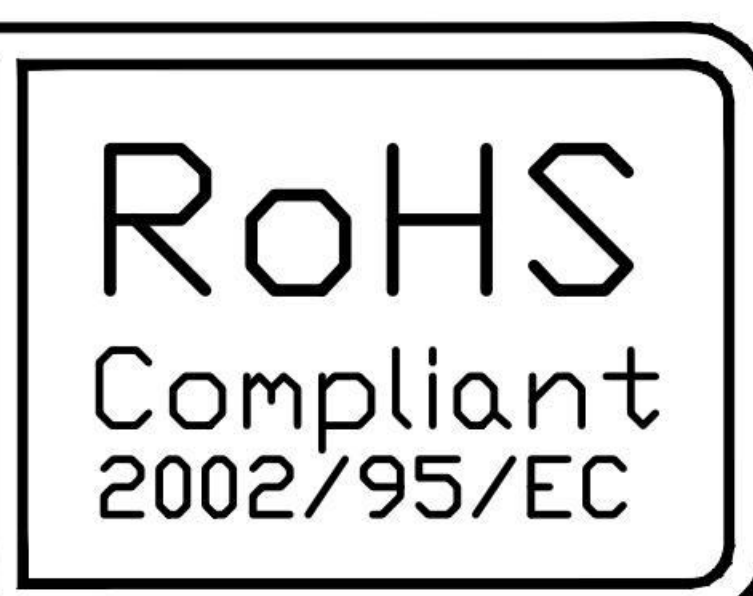
P.C.B LAND DIMENSION



Movement Direction



CIRCUIT DIAGRAM



G-Switch Specification:

Electrical Specifications: DC 12V 0.5A DC 6V 1.0A
Contact Resistance : 100mΩMAX
Insulation Resistance: 100M ohm 100V DC
Withstand Voltage: AC 250V for 1 min
Ambient Temperature: -20°C~+70°C
Relative Humidity: (40°C)≤85%
Reflow soldering: 250°C MAX
Life: 10,000 times



G-Switch Electronic (HongKong) CO.,Ltd.

Unless otherwise specified, Tolerance:
X. ±0.30
X.x ±0.20
X.xx ±0.15
X.xxx ±0.10
Angles ±3°

DESIGN FengFengChen	DATE 2019.05.29
CHECKED	DATE
APPROVED	DATE
http://www.dg-switch.com	
TEL:0769-82388879	

Molde code:		
MS-23C01-GXXX		
REV.: X1	SCALE: 4:1	UNIT: mm
SIZE: A4	SHEET: 1/1	