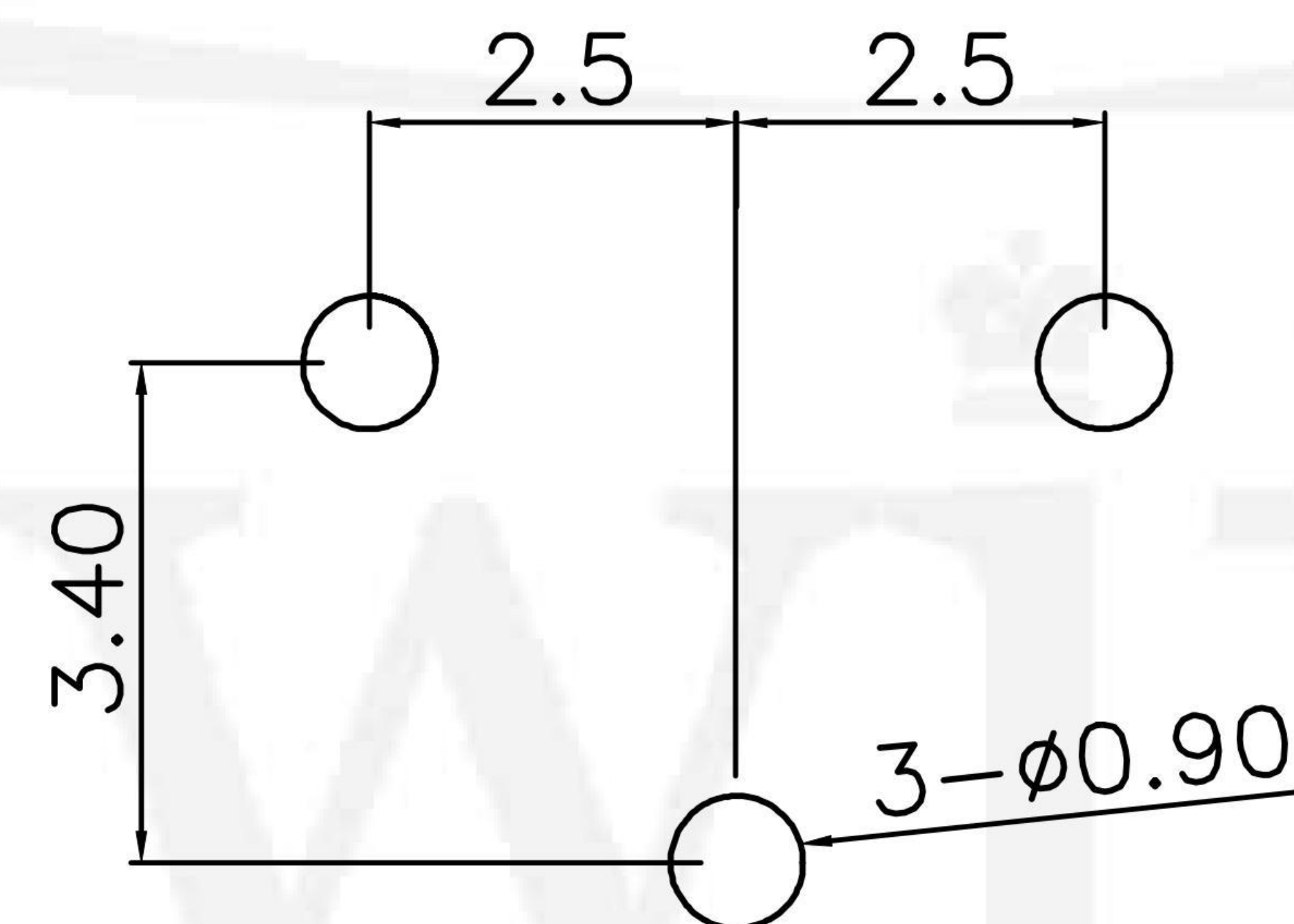
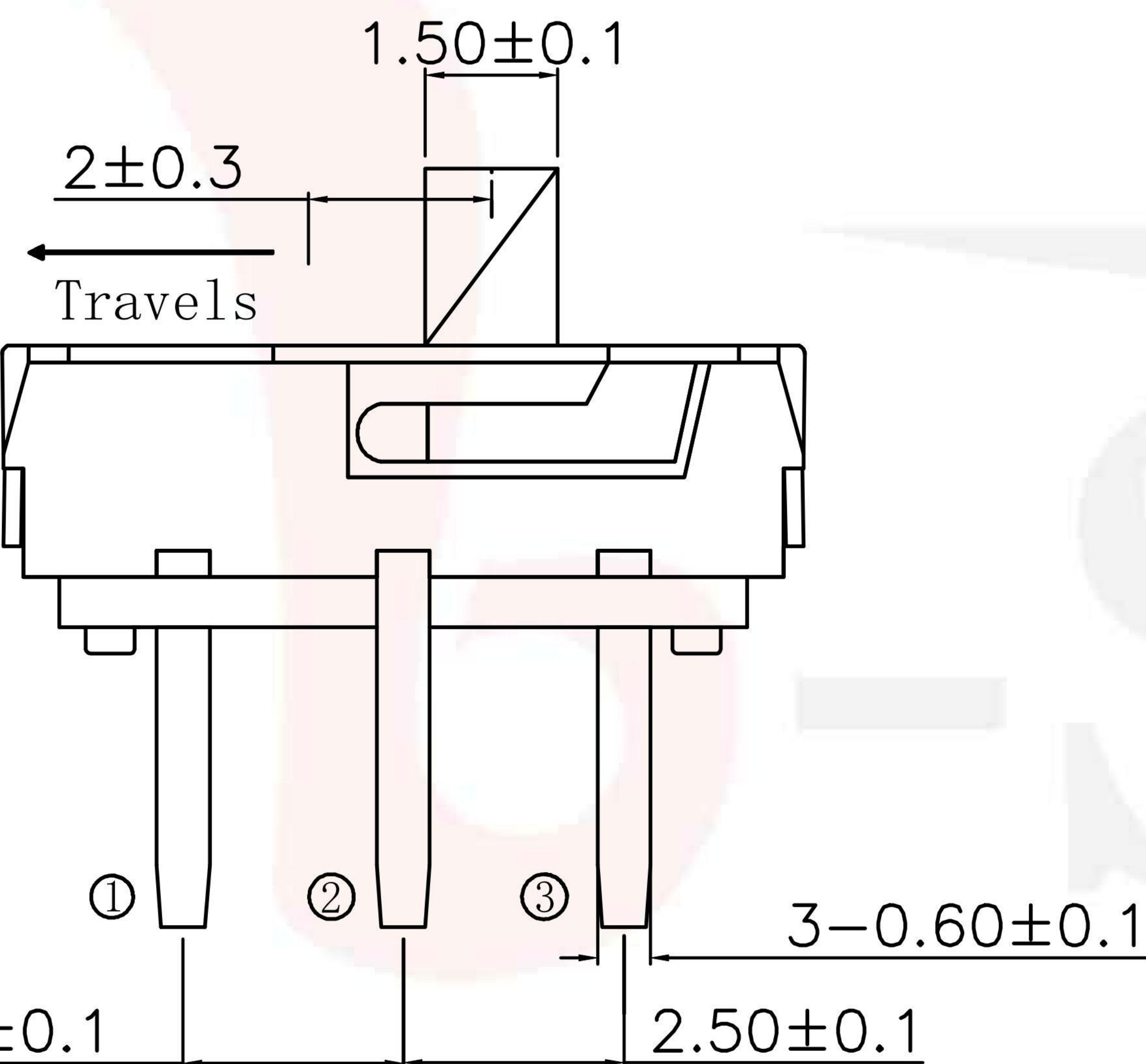


MS-12D16-GXXX

直拨形式

G-Switch P/N

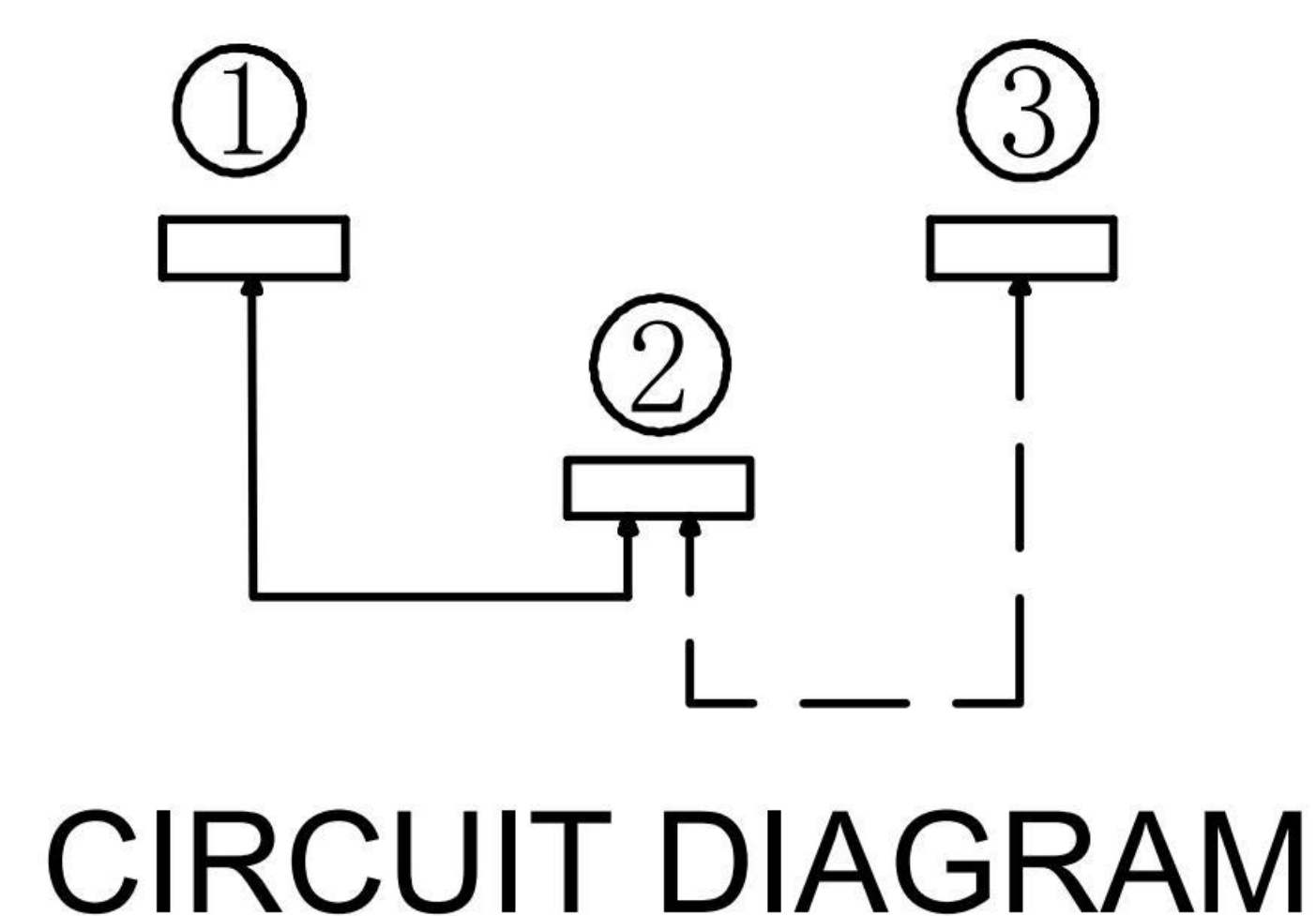
Switch Height (mm)
 G020=2.0 G025=2.5
 G030=3.0 G040=4.0



PCB PLERING PLAN

G-Switch Specification:

Electrical Specifications: DC 12V 0.5A DC 6V 1.0A
 Contact Resistance : 100mΩMAX
 Insulation Resistance: 100M ohm 100V DC
 Withstand Voltage: AC 250V for 1 min
 Ambient Temperature: -20°C~+70°C
 Relative Humidity: (40°C)≤85%
 Reflow soldering: 250°C MAX
 Life: 10,000 times



	G-Switch Electronic (HongKong) CO.,Ltd.		
	DESIGN Yvette Chen	DATE 2019.05.29	Molde code:
	CHECKED	DATE	MS-12D16-GXXX
	APPROVED	DATE	
Unless otherwise specified, Tolerance: X. ±0.30 X.x ±0.20 X.xx ±0.15 X.xxx ±0.10 Angles ±3°	http://www.dg-switch.com TEL:0769-82388879		REV.: X1 SCALE: 4:1 UNIT: mm SIZE: A4 SHEET: 1/1