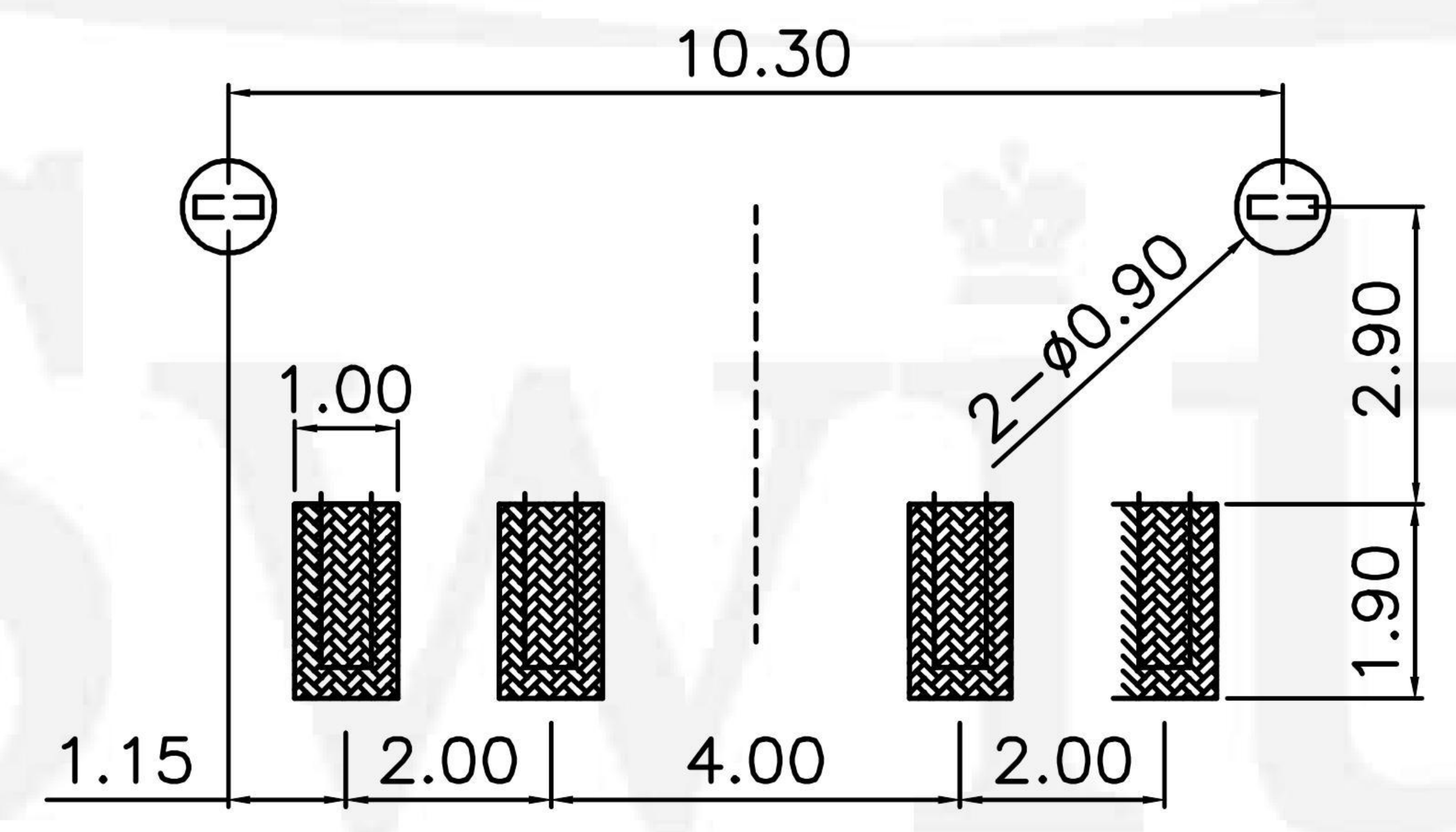
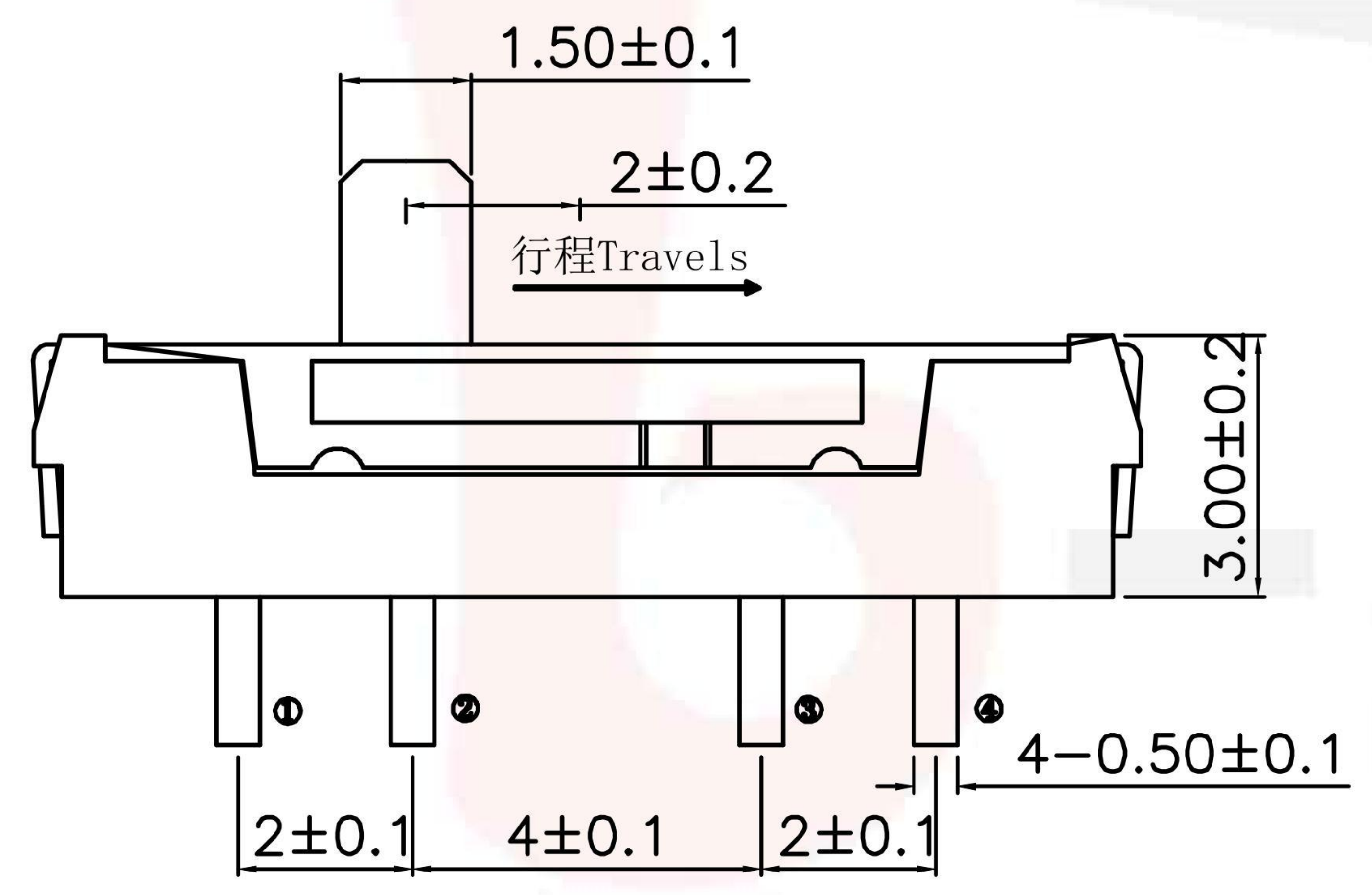


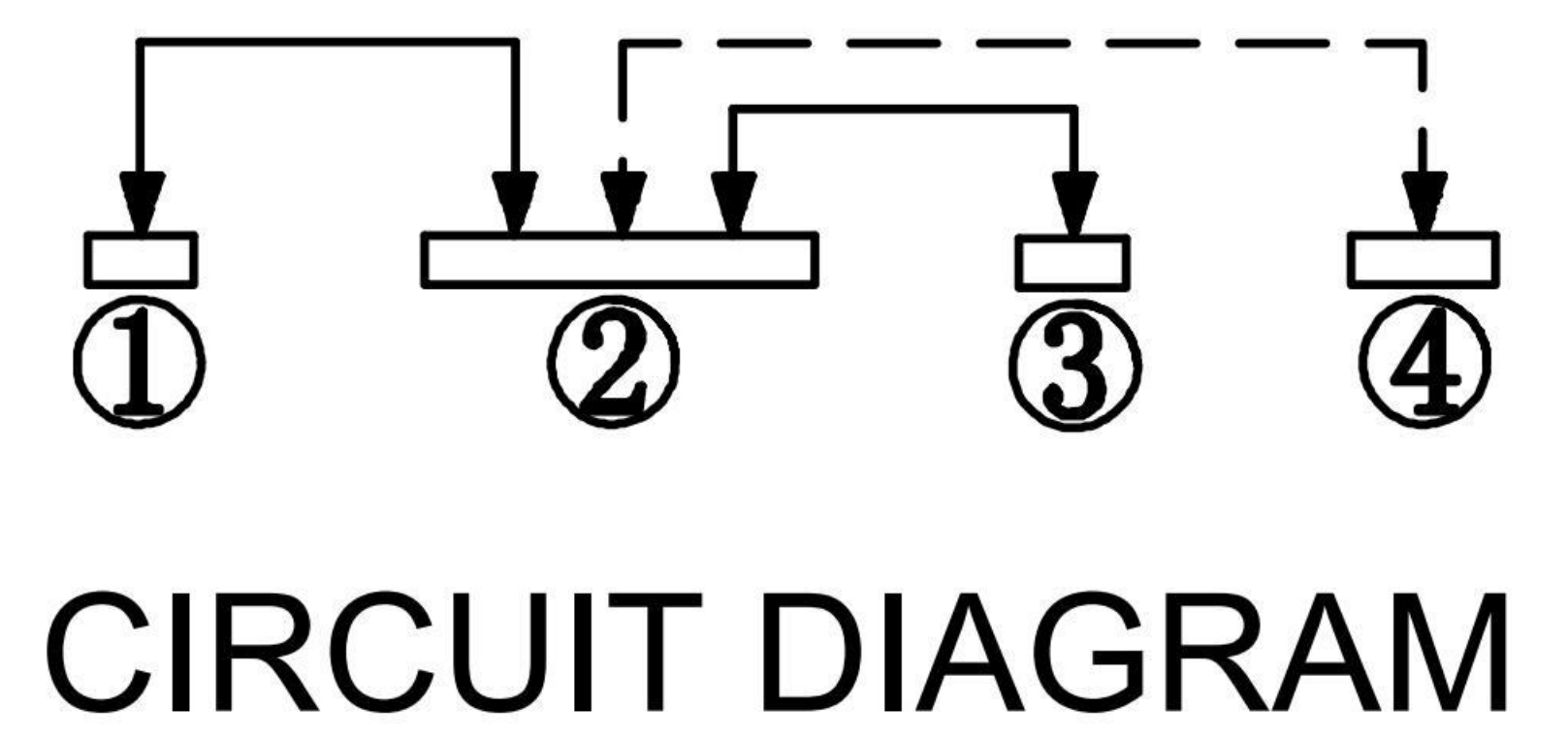
**MK-24C02L-GXXX**

侧拨形式  
G-Switch P/N  
Switch Height (mm)  
G021=2.1



**PCB PLERTING PLAN**

**G-Switch Specification:**  
Electrical Specifications: DC 12V 0.5A DC 6V 1.0A  
Contact Resistance : 100mΩMAX  
Insulation Resistance: 100M ohm 100V DC  
Withstand Voltage: AC 250V for 1 min  
Ambient Temperature: -20°C~+70°C  
Relative Humidity: (40°C)≤85%  
Reflow soldering: 250°C MAX  
Life: 10,000 times



**CIRCUIT DIAGRAM**



	<b>G-Switch Electronic (HongKong) CO.,Ltd.</b>		
	Unless otherwise specified, Tolerance: X. ±0.30 X.x ±0.20 X.xx ±0.15 X.xxx ±0.10 Angles ±3°	DESIGN FengFengChen CHECKED APPROVED <a href="http://www.dg-switch.com">http://www.dg-switch.com</a> TEL:0769-82388879	DATE 2019.05.29 DATE DATE REV.: X1 SCALE: 4:1 SHEET: 1/1