

**GT-MPU106-HXXX-LXA**

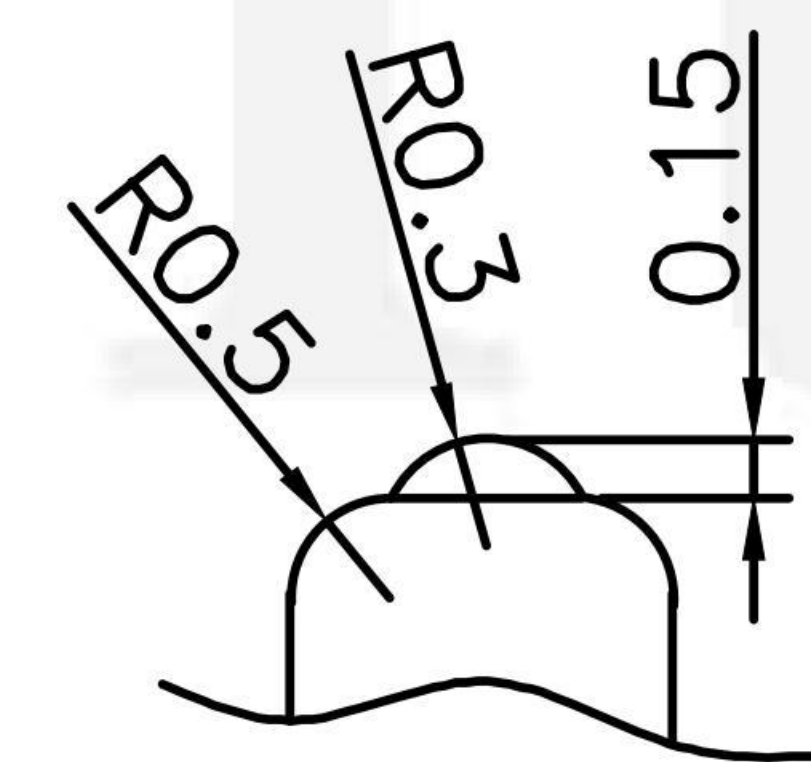
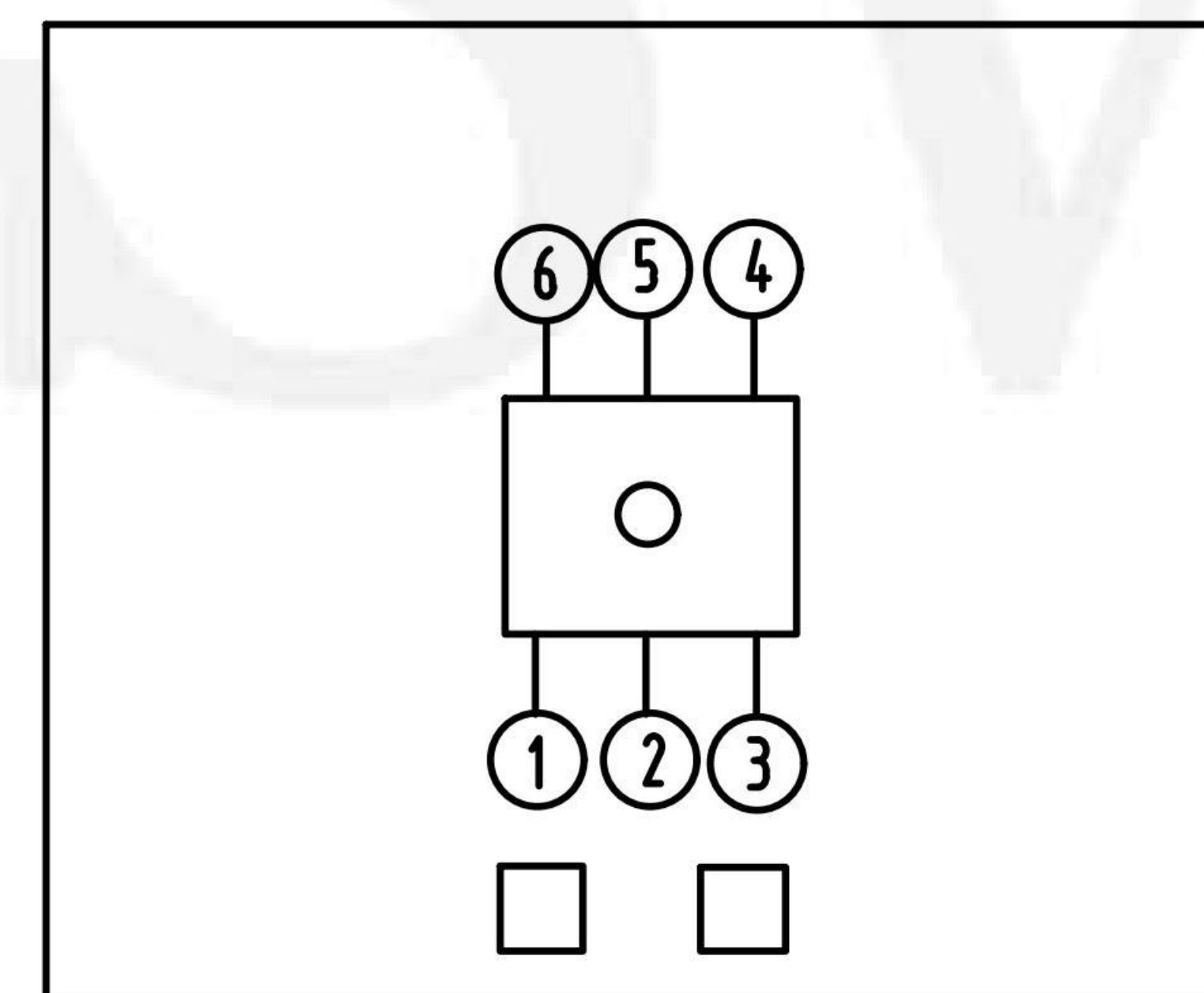
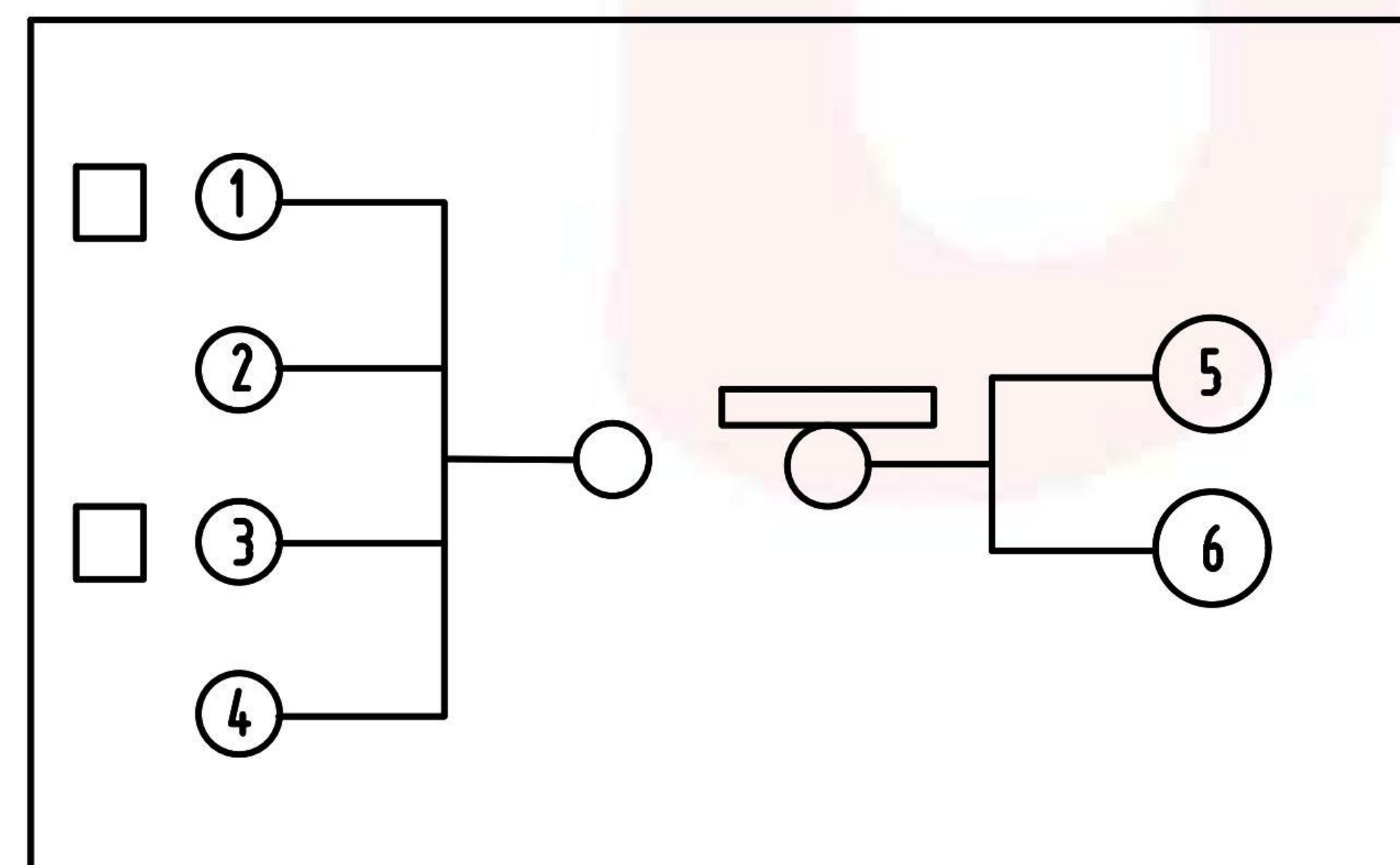
G-Switch

G-Switch P/N

A=Base With Pilot

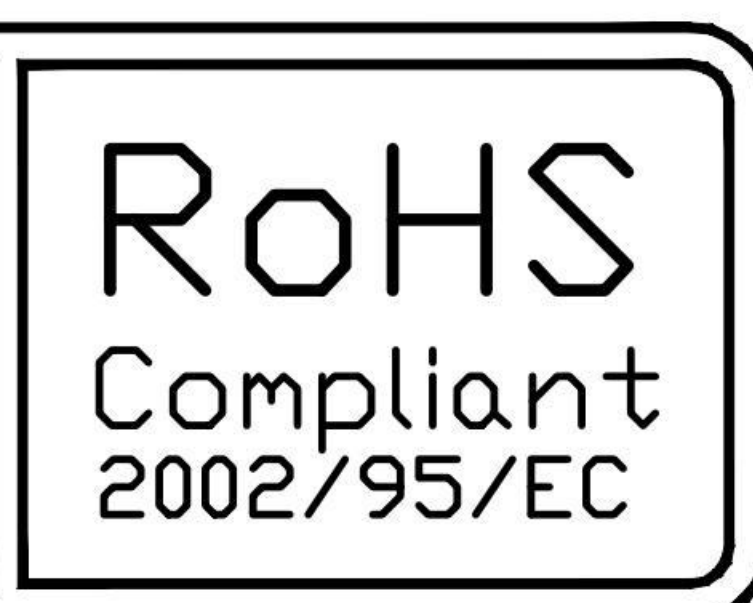
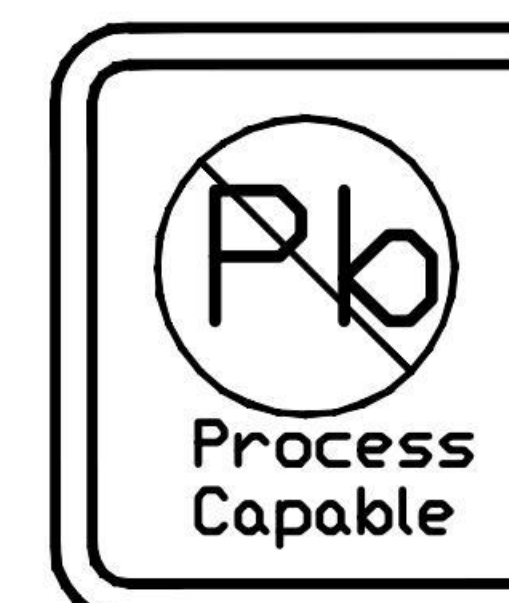
H061=6.1mm  
H065=6.5mm  
H076=7.6mm

L05=50,000 Cycles  
L1=100,000 Cycles



**G-Switch Specification:**

Electrical Specifications: 10mA 5V DC  
Contact Resistance : 50mΩMAX  
Insulation Resistance: 100MΩ min. 100V DC  
Withstand Voltage: 100V AC/1 min  
Operating Temperature: -10°C~+60°C  
Storage Temperature: -40°C~+70°C  
Operating Life: 100,000 cycles



**G-Switch Electronic (HongKong) CO.,Ltd.**

Unless otherwise specified, Tolerance:  
X. ±0.30  
X.x ±0.20  
X.xx ±0.15  
X.xxx ±0.10  
Angles ±3°

DESIGN Yvette Chen	DATE 2019.05.29
CHECKED	DATE
APPROVED	DATE
<a href="http://www.dg-switch.com">http://www.dg-switch.com</a>	
TEL:0769-82388879	

Molde code:		
GT-MPU106-HXXX-LXA		
REV.: X1	SCALE: 4:1	UNIT: mm
SIZE: A4	SHEET: 1/1	