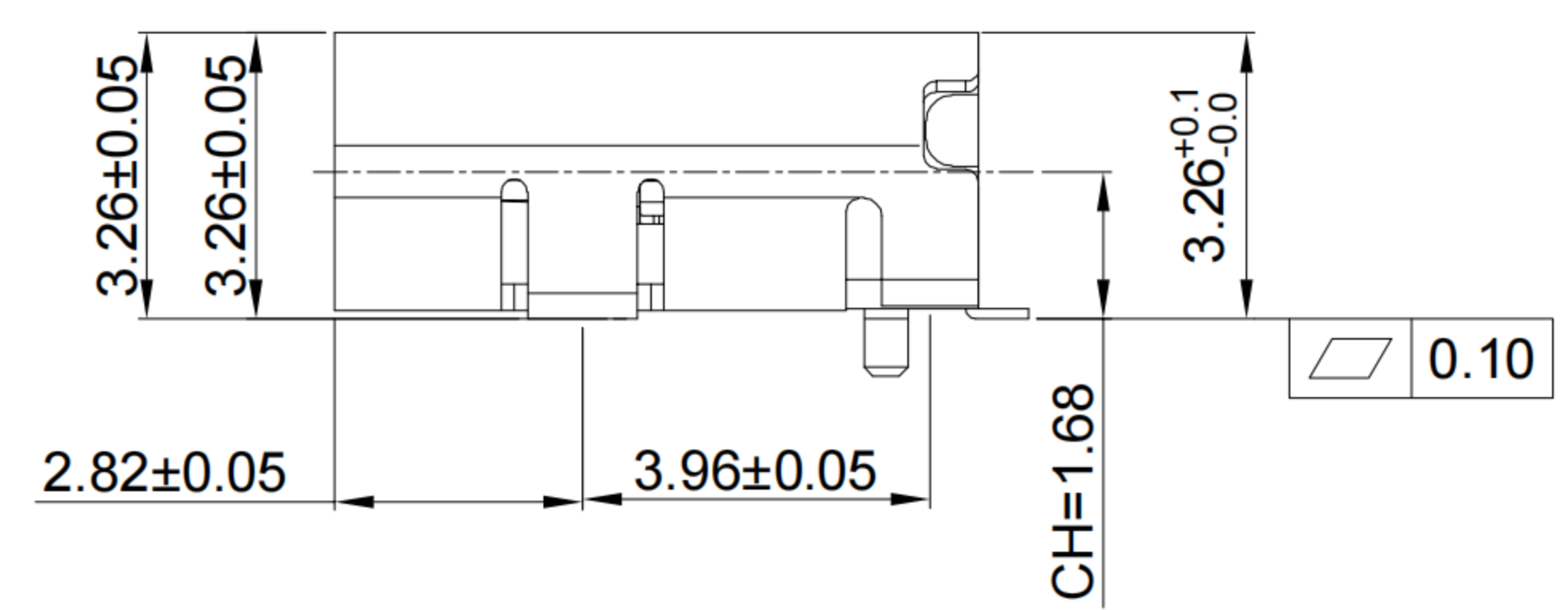
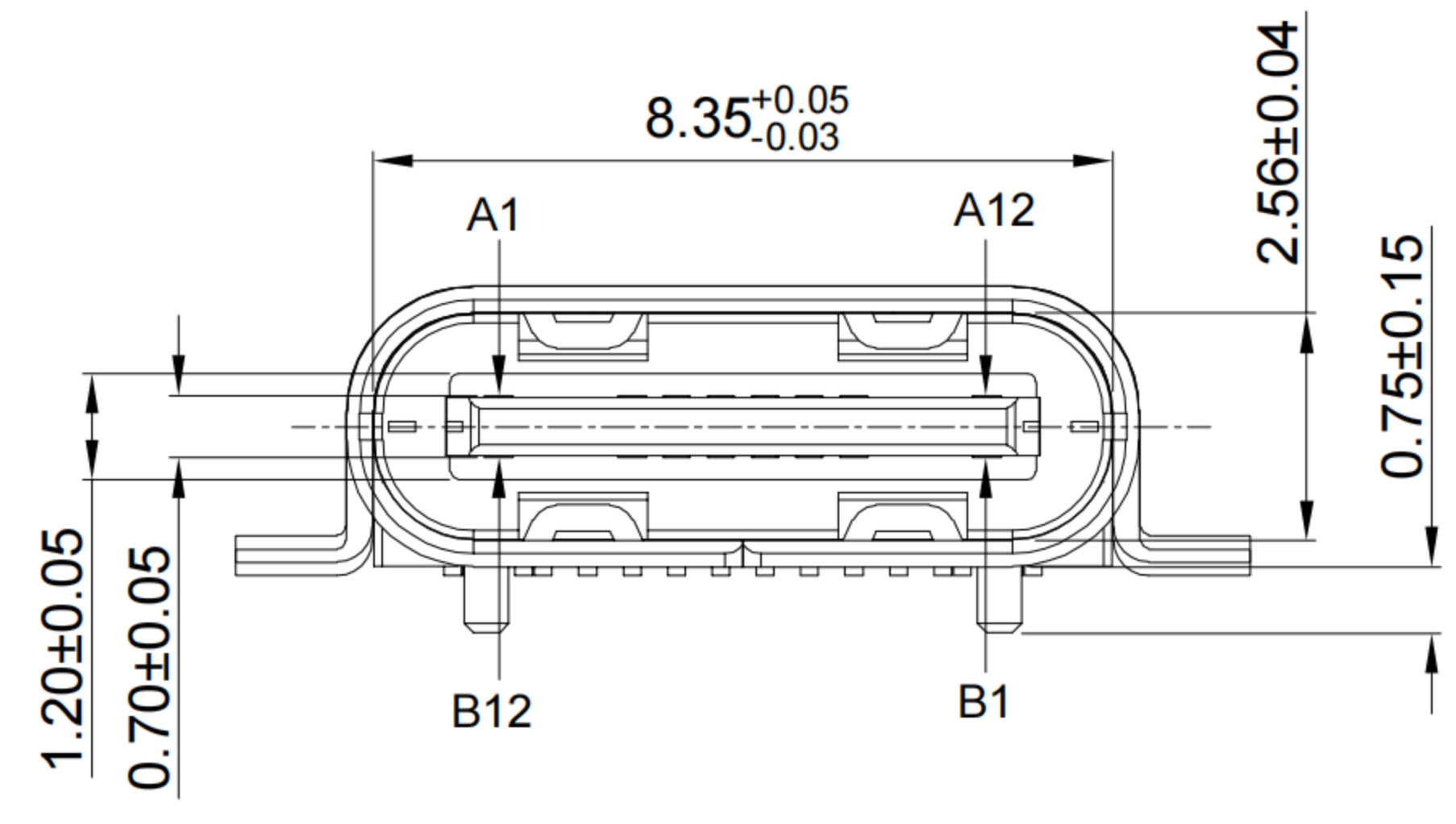
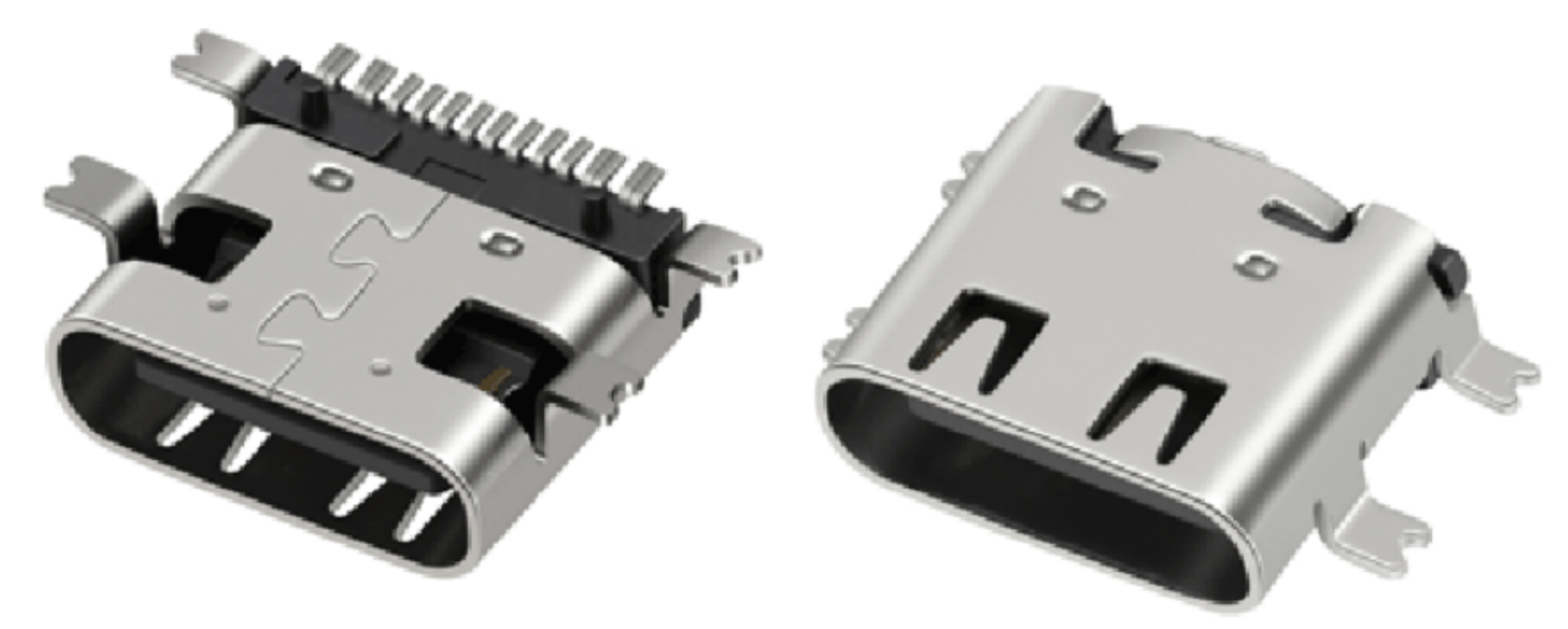
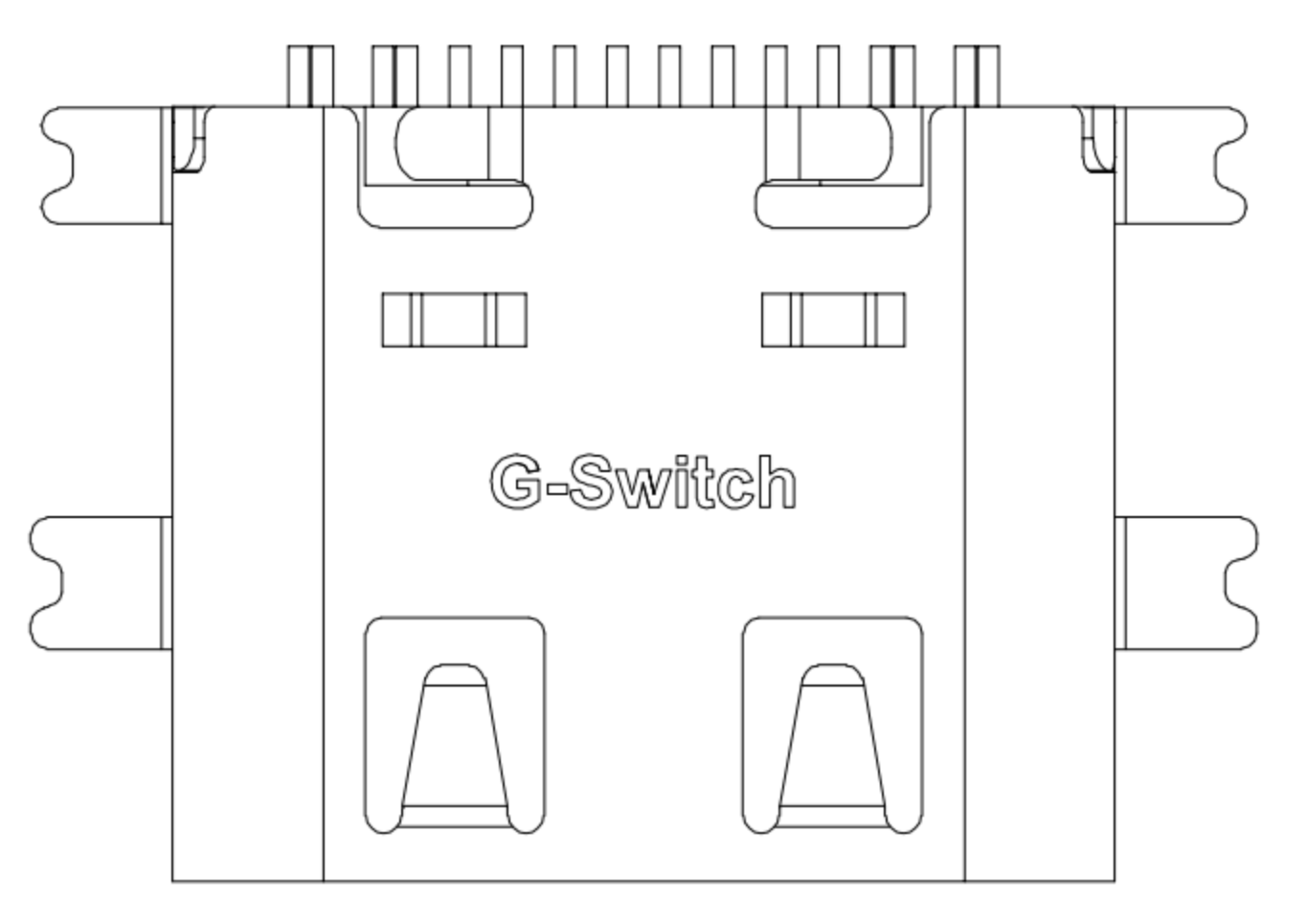
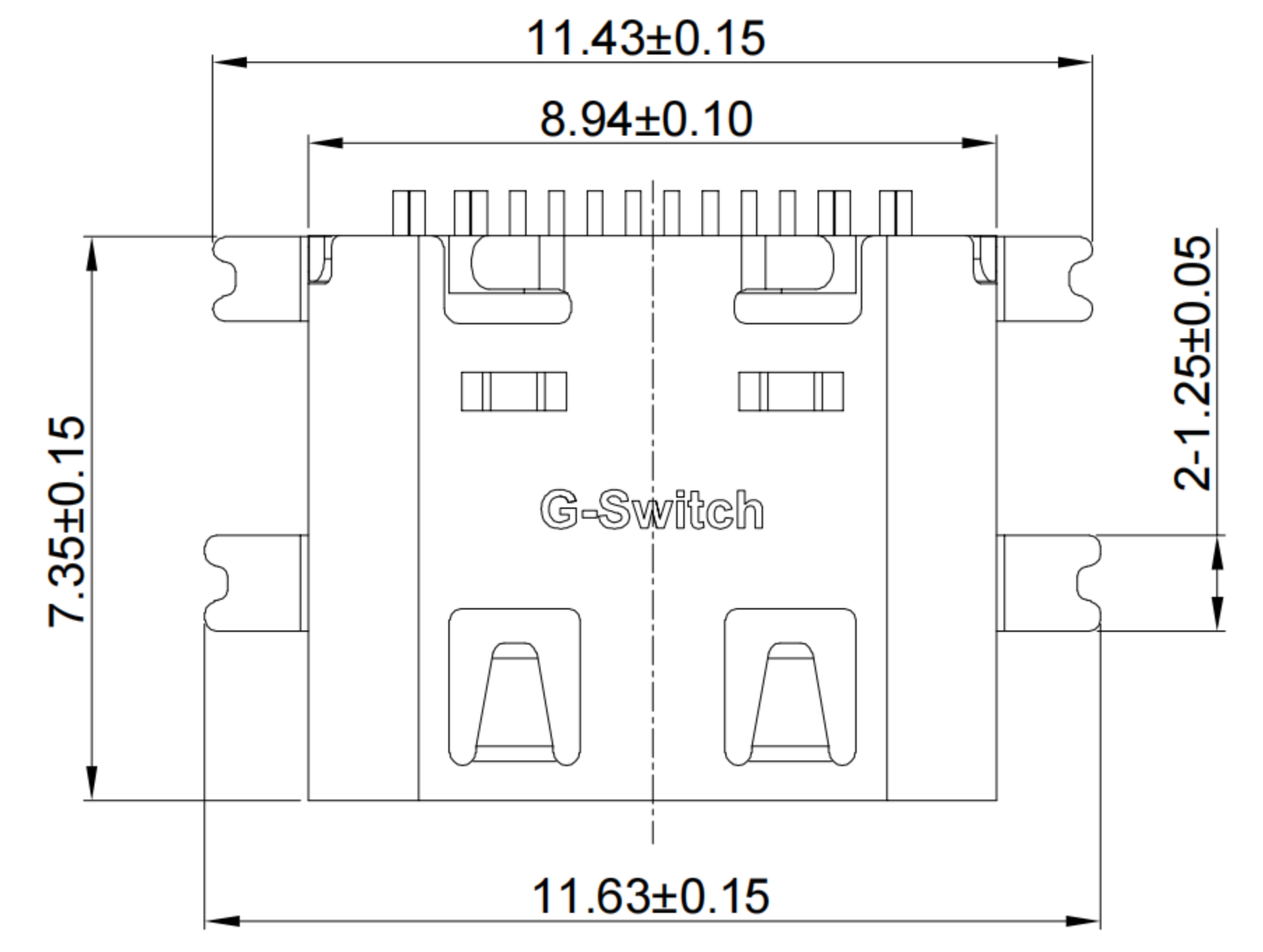
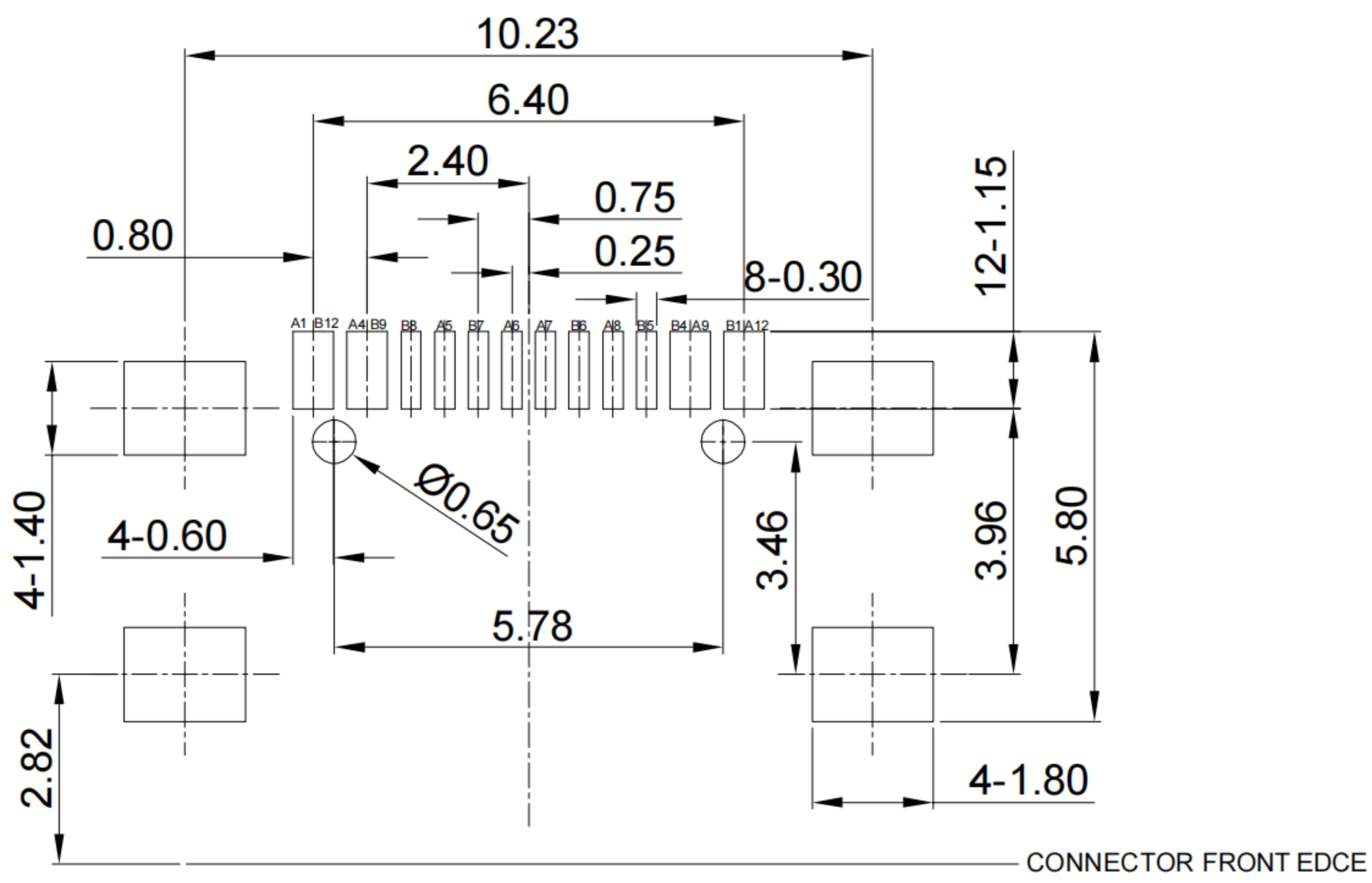
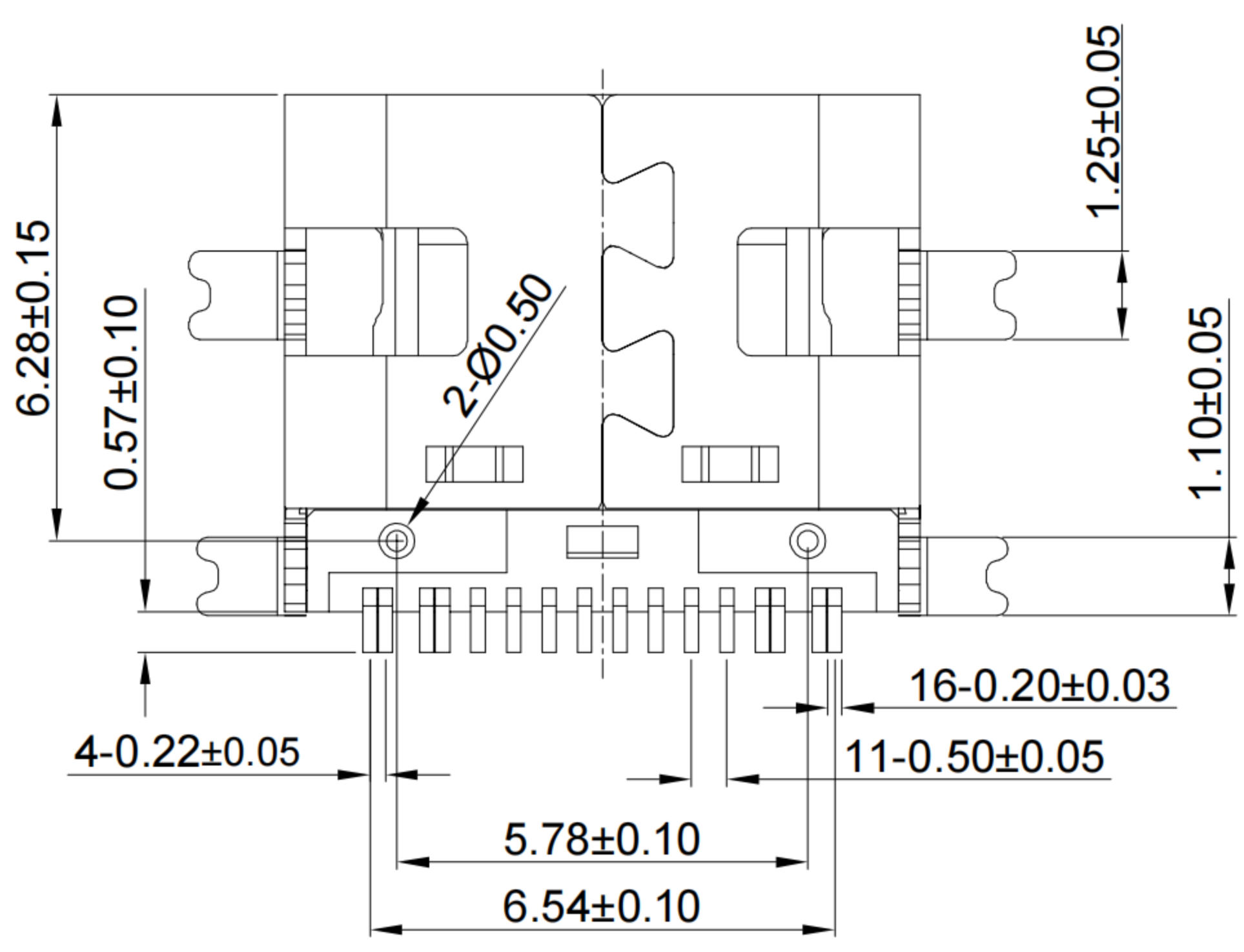


1
2
3
4
5



G-Switch USB-C Specification:

1. Current rated: 5A on vbus/1.25A on vconn/0.25A on other
Voltage rating: 24V AC
2. Withstanding voltage: 100V AC/minute
3. Contact resistance: 40mΩ Max
4. Insulation resistance: 100MΩ Min
5. Operating temperature: -40°C ~ +85°C
6. Mating force: 5N~20N
7. Unmating force: 8N~20N
8. Durability cycle: 10,000 cycles



A1	A2	A3	A4	A5	A6	A7	A8	A9	A10	A11	A12
GND			VBUS	CC1	D+	D-	SBU1	VBUS			GND
First			First	Second	Second	Second	Second	First			First

B12	B11	B10	B9	B8	B7	B6	B5	B4	B3	B2	B1
GND			VBUS	SBU2	D-	D+	CC2	VBUS			GND
First			First	Second	Second	Second	Second	First			First

RECOMMENDED PCB LAYOUT
TOLERANCE:±0.05

此产品符合
USB协会认证
规范TID:7342



SCALE: 1:1 UNIT: mm
SIZE: A4

Title: Horizontal Type-c 16P Female
SMT CH=1.68 L=7.35mm

Unless otherwise
General Tolerance:
X. /
X.x ±0.30
X.xx ±0.20
X.xxx ±0.10
X° ±3°

Molde Code: GT-USB-9047A

DRAWN	CHECKED	APPROVED	DATE
Xia	Chen	Chen	2020.02.01



1	SHELL	STAINLESS STEEL	Ni PLATED
2	GND PLATE	STAINLESS STEEL	CLEAN
3	MID PLATE	STAINLESS STEEL	CLEAN
4	HOUSING	HIGH TEMPERATURE PLASTIC	BLACK UL 94 V-0
5	TERMINALS	COPPER ALLOY	Au PLATING ON CONTACT AREA
NO.	PARTS	MATERIAL	REMARKS

REV: A0 SHEET: 1/1