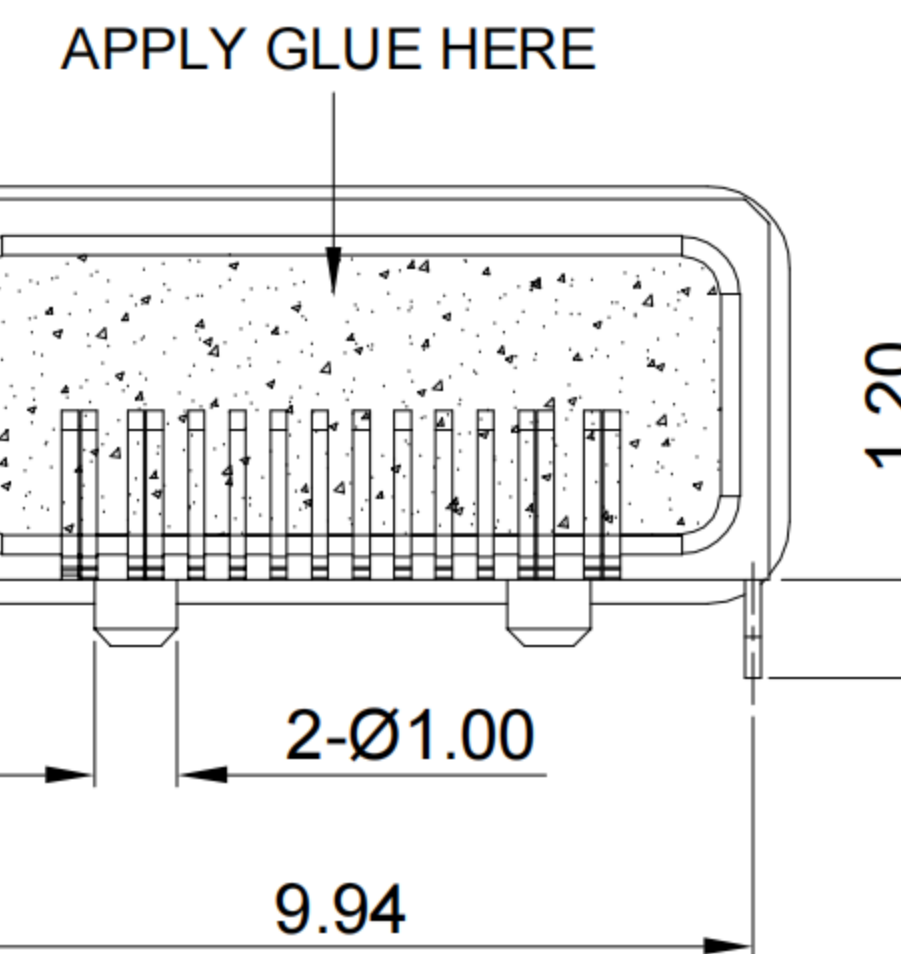
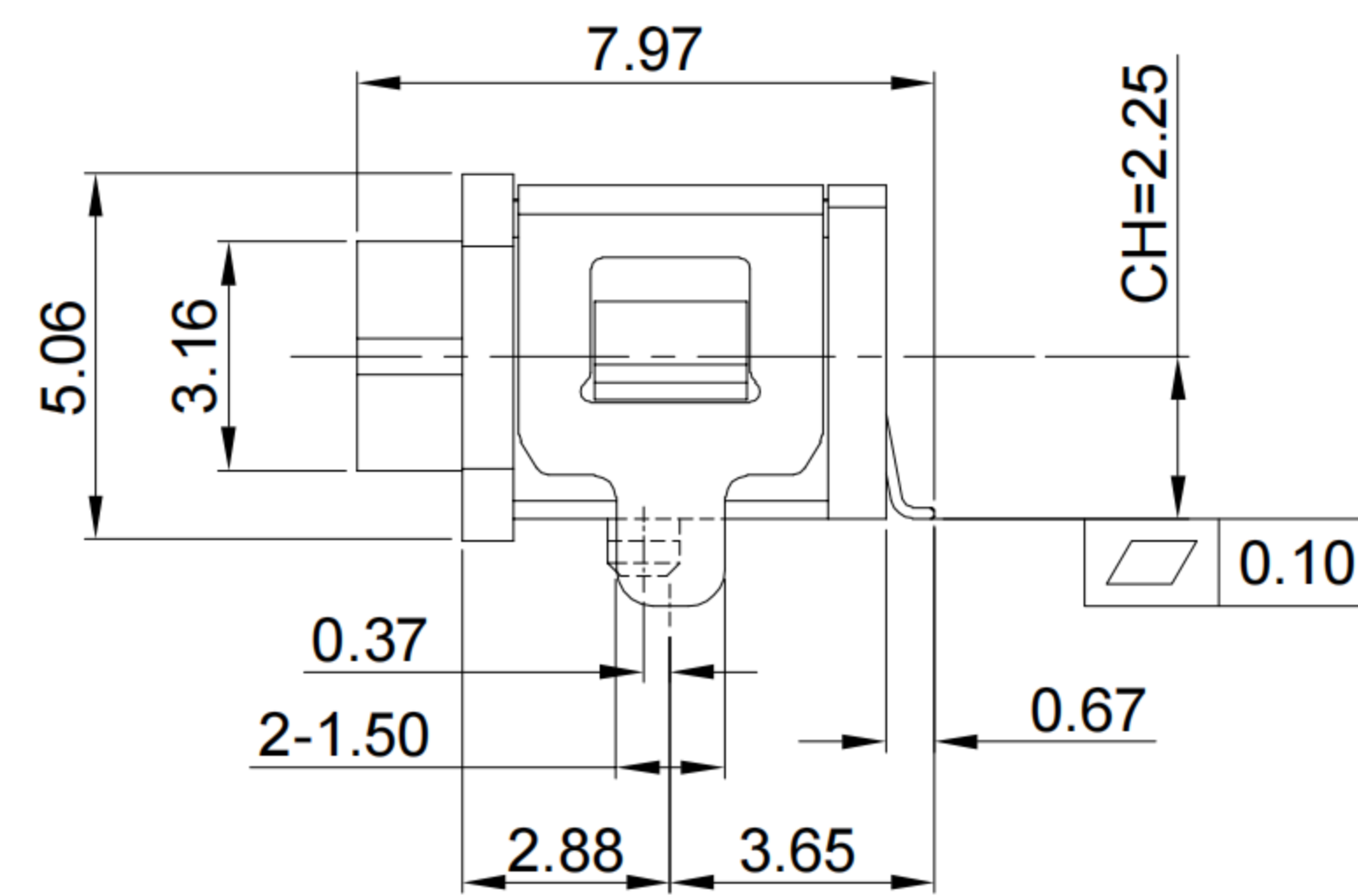
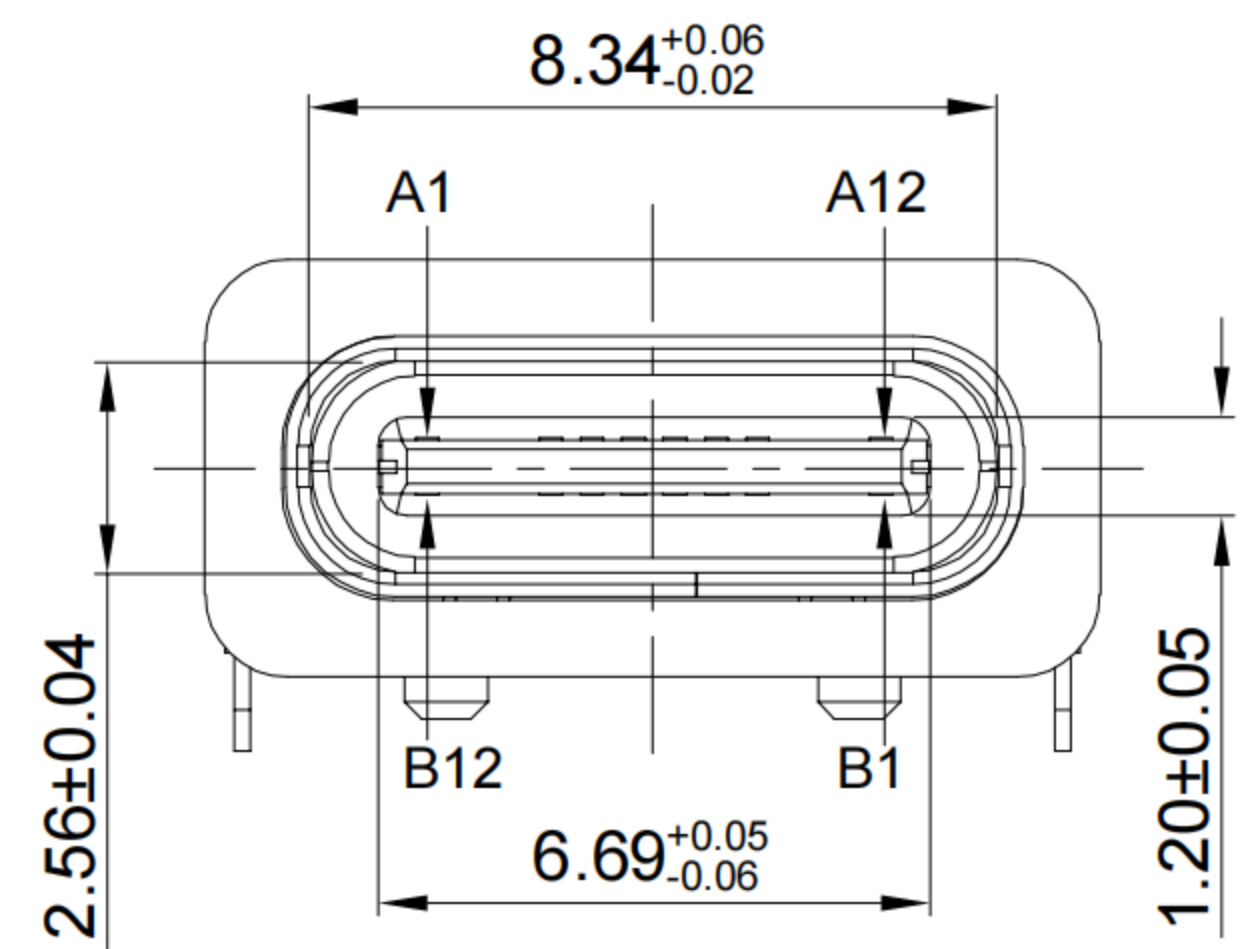
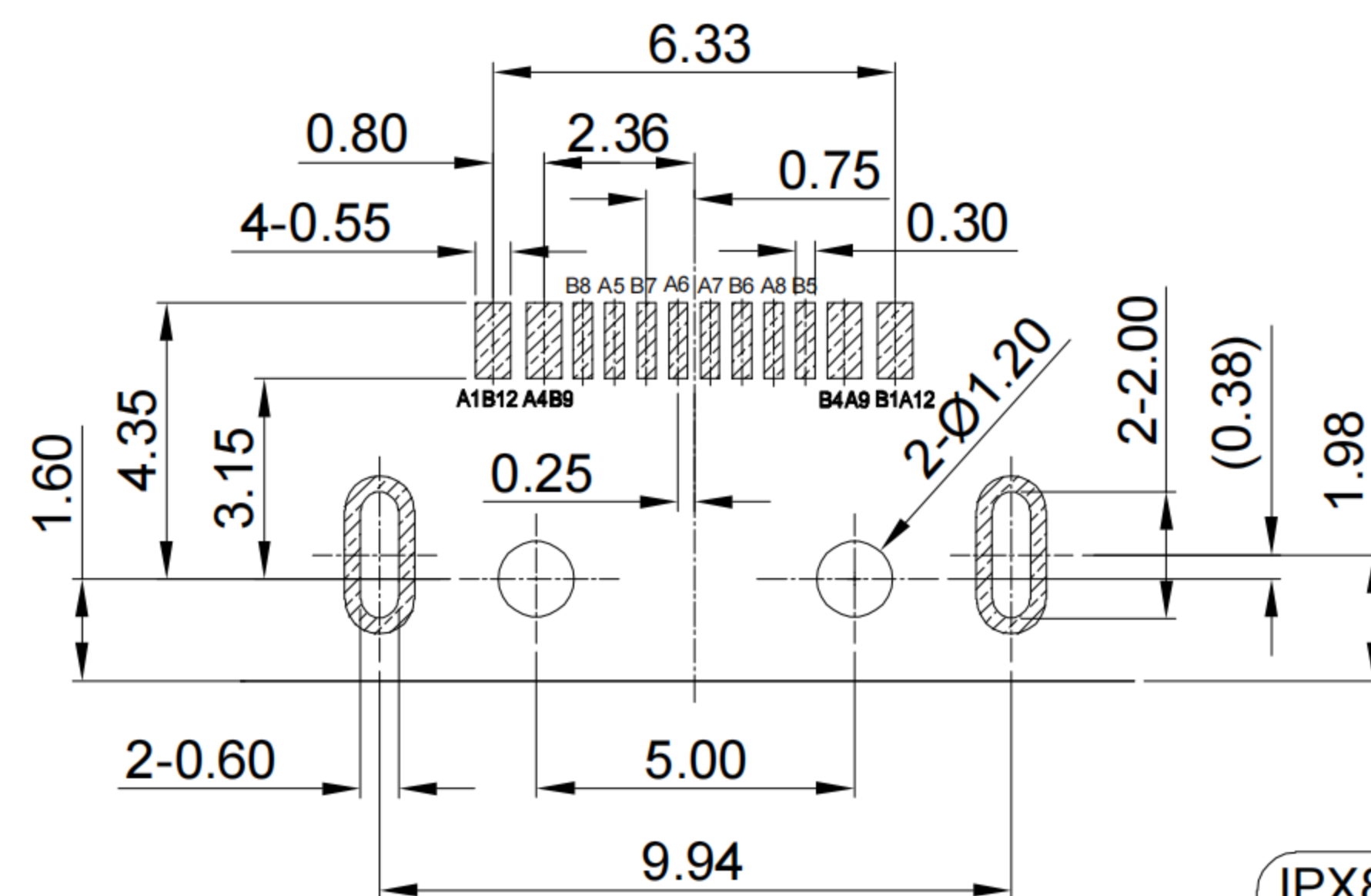
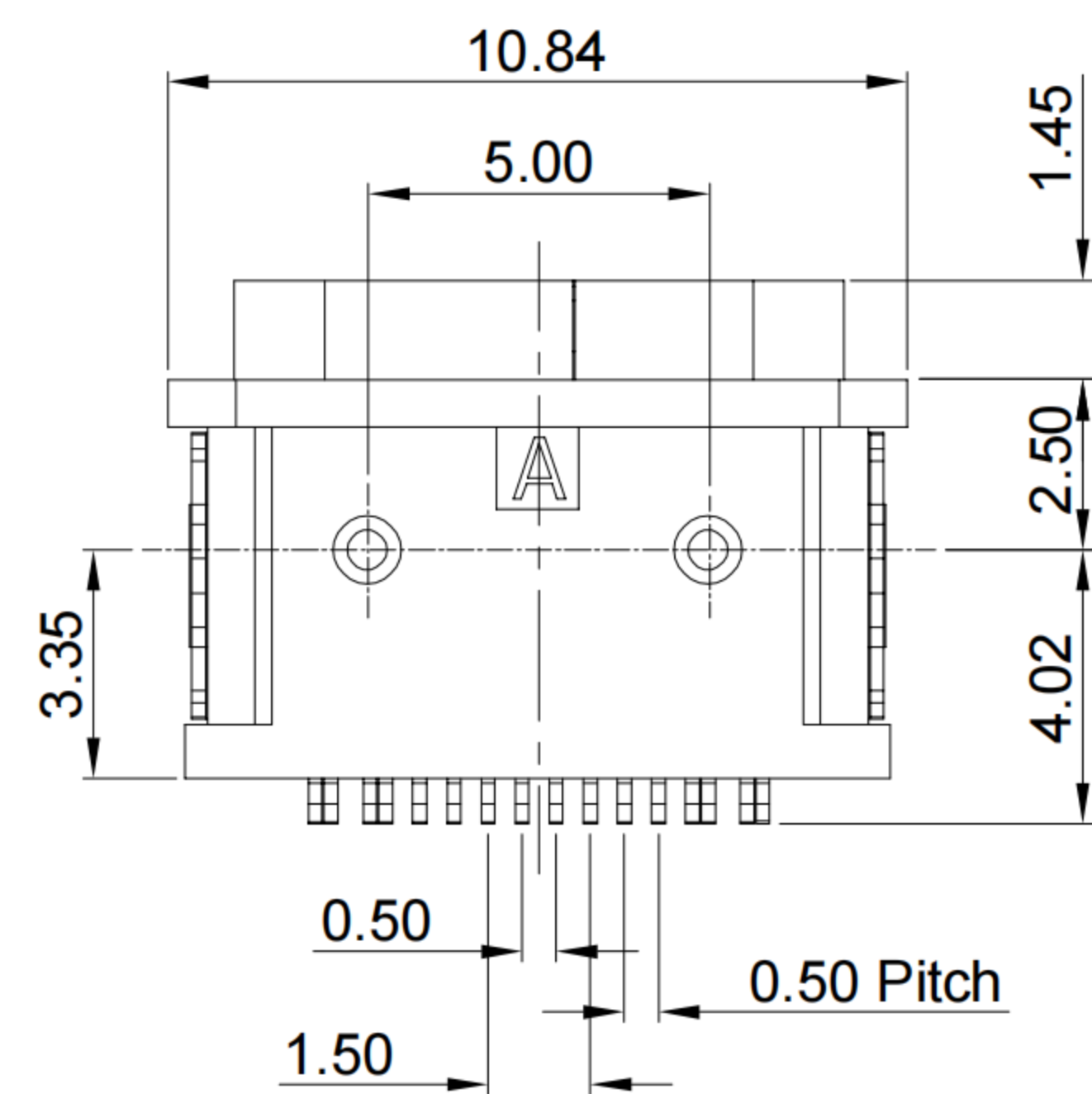


CASE ASSEMBLY FOR REFERENCE

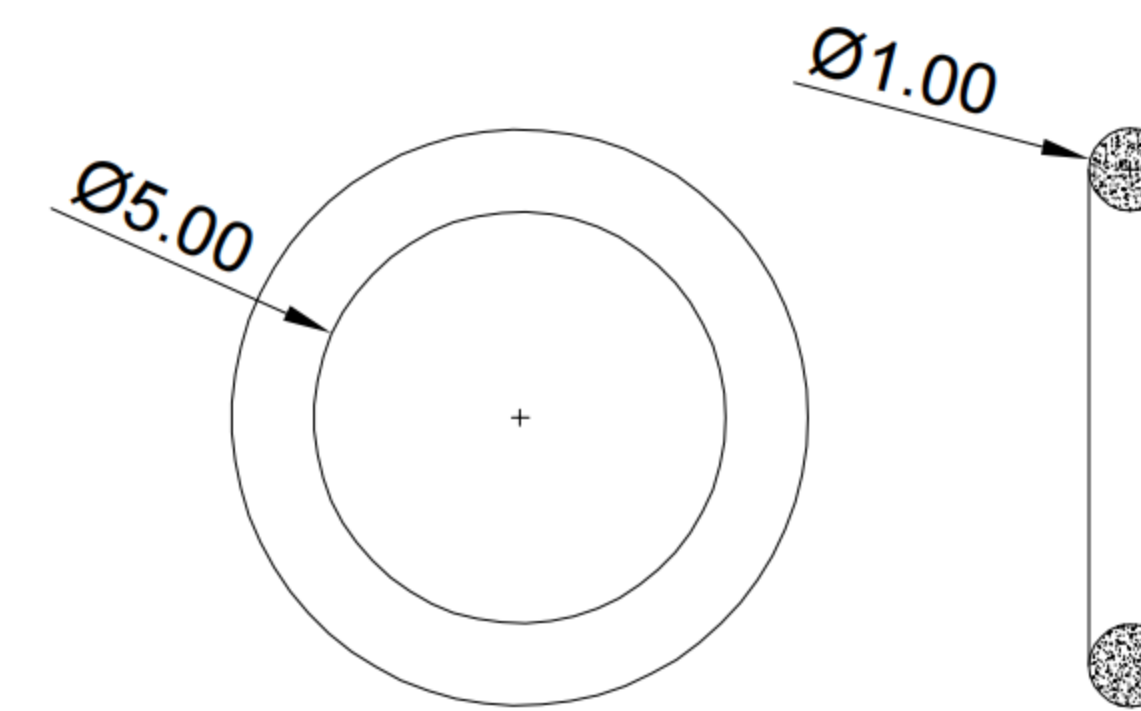


G-Switch USB-C Specification:

1. Current rated: 5A on vbus/1.25A on vconn/0.25A on other
Voltage rating: 24V AC
2. Withstanding voltage: 100V AC/minute
3. Contact resistance: 40mΩ Max
4. Insulation resistance: 100MΩ Min
5. Operating temperature: -40°C ~ +85°C
6. Mating force : 5N~20N
7. Unmating force: 8N~20N
8. Durability cycle: 10,000 cycles
9. Waterproof grade: IP-X8



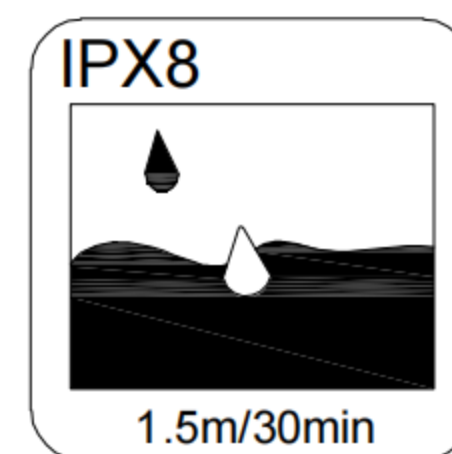
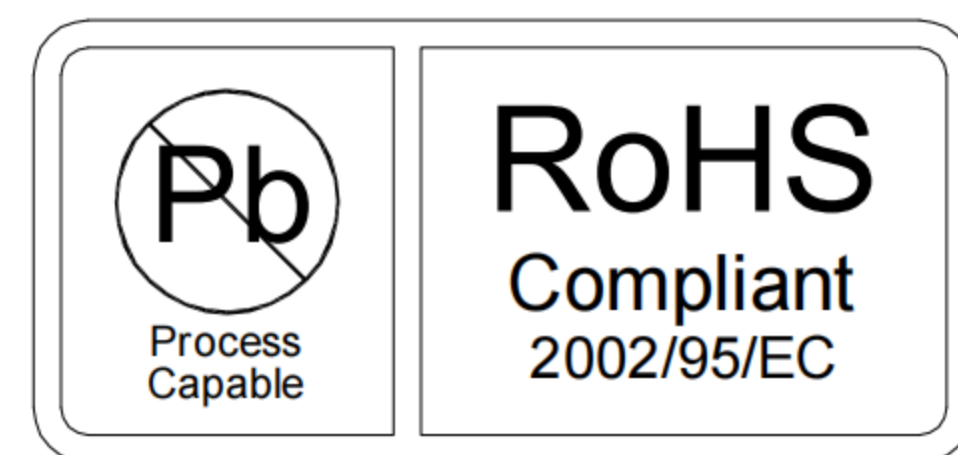
RECOMMENDED PCB LAYOUT
TOLERANCE: ±0.05



Note:
The waterproof ring has a circular cross-section and a diameter of 1.0mm. Extrusion amount of silicone ring and waterproof ring, from 1.0mm to 0.5mm~0.6mm, good waterproof effect.

| | | | | | | | | | | | |
|-------|-----|-----|-------|--------|--------|--------|--------|-------|-----|-----|-------|
| A1 | A2 | A3 | A4 | A5 | A6 | A7 | A8 | A9 | A10 | A11 | A12 |
| GND | | | VBUS | CC1 | D+ | D- | SBU1 | VBUS | | | GND |
| First | | | First | Second | Second | Second | Second | First | | | First |
| B12 | B11 | B10 | B9 | B8 | B7 | B6 | B5 | B4 | B3 | B2 | B1 |
| GND | | | VBUS | SBU2 | D- | D+ | CC2 | VBUS | | | GND |
| First | | | First | Second | Second | Second | Second | First | | | First |

| | | | |
|-----|-------------|--------------------------|----------------------------|
| 1 | COVER SHELL | STAINLESS STEEL | NI PLATED |
| 2 | SHELL | STAINLESS STEEL | NI PLATED |
| 3 | MID PLATE | STAINLESS STEEL | NI PLATED |
| 4 | HOUSING | HIGH TEMPERATURE PLASTIC | Black UL 94 V-0 |
| 5 | TERMINALS | COPPER ALLOY | Au PLATING ON CONTACT AREA |
| NO. | PARTS | MATERIAL | REMARKS |



SCALE: 1:1 UNIT: mm
SIZE: A4

Unless otherwise
General Tolerance:
X. ±0.20
X.x ±0.15
X.xx ±0.10
X.xxx ±0.05
Angles ±3°

| | | | |
|---|---------|----------|------------|
| Title: Horizontal Type-c 16P Female SMT CH=2.25 L=7.3mm | | | |
| Molde Code: GT-USB-7070B01 | | | |
| DRAWN | CHECKED | APPROVED | DATE |
| Xia | Chen | Chen | 2023.02.01 |



REV: A0 SHEET: 1/1

A

B

C

D

E