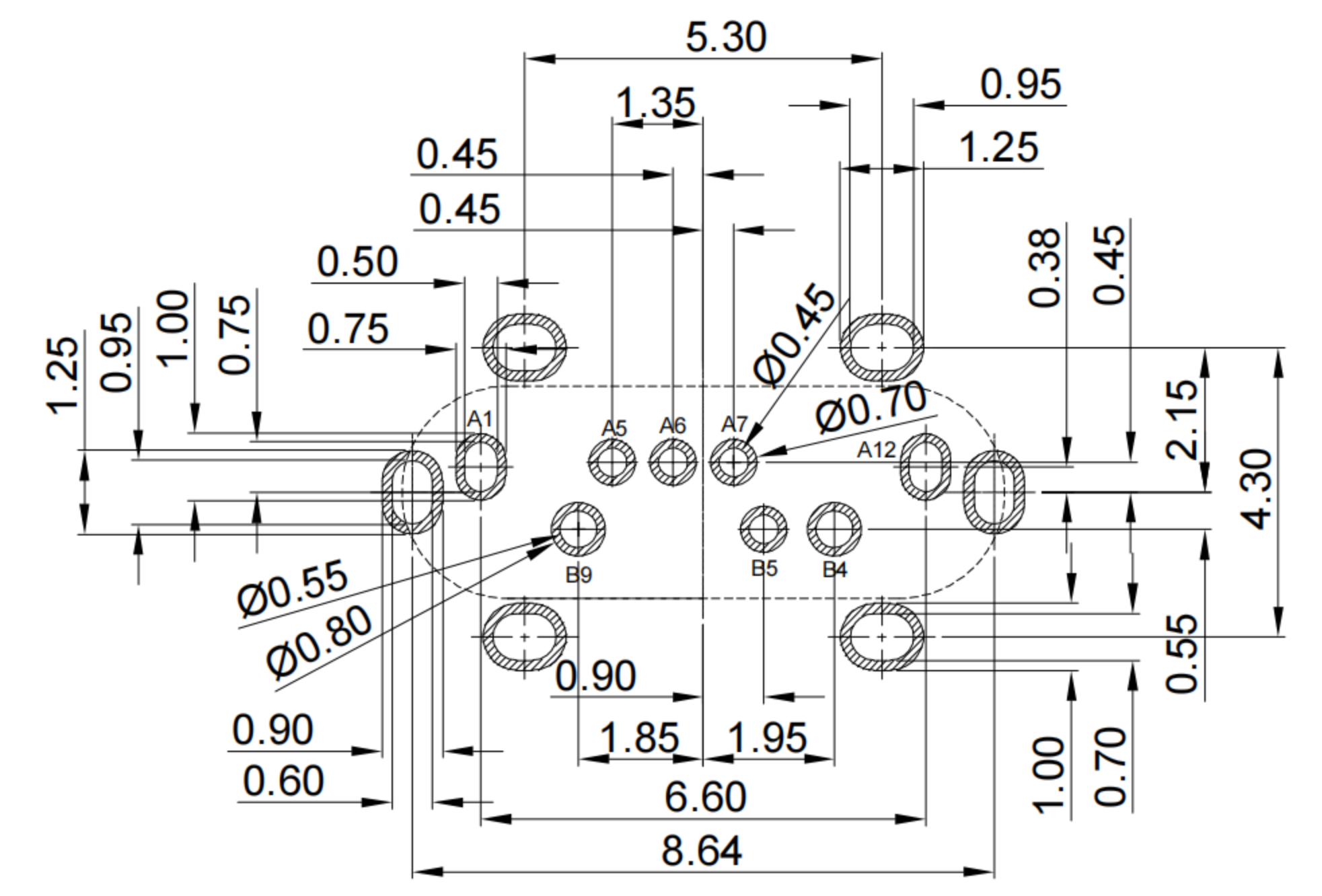
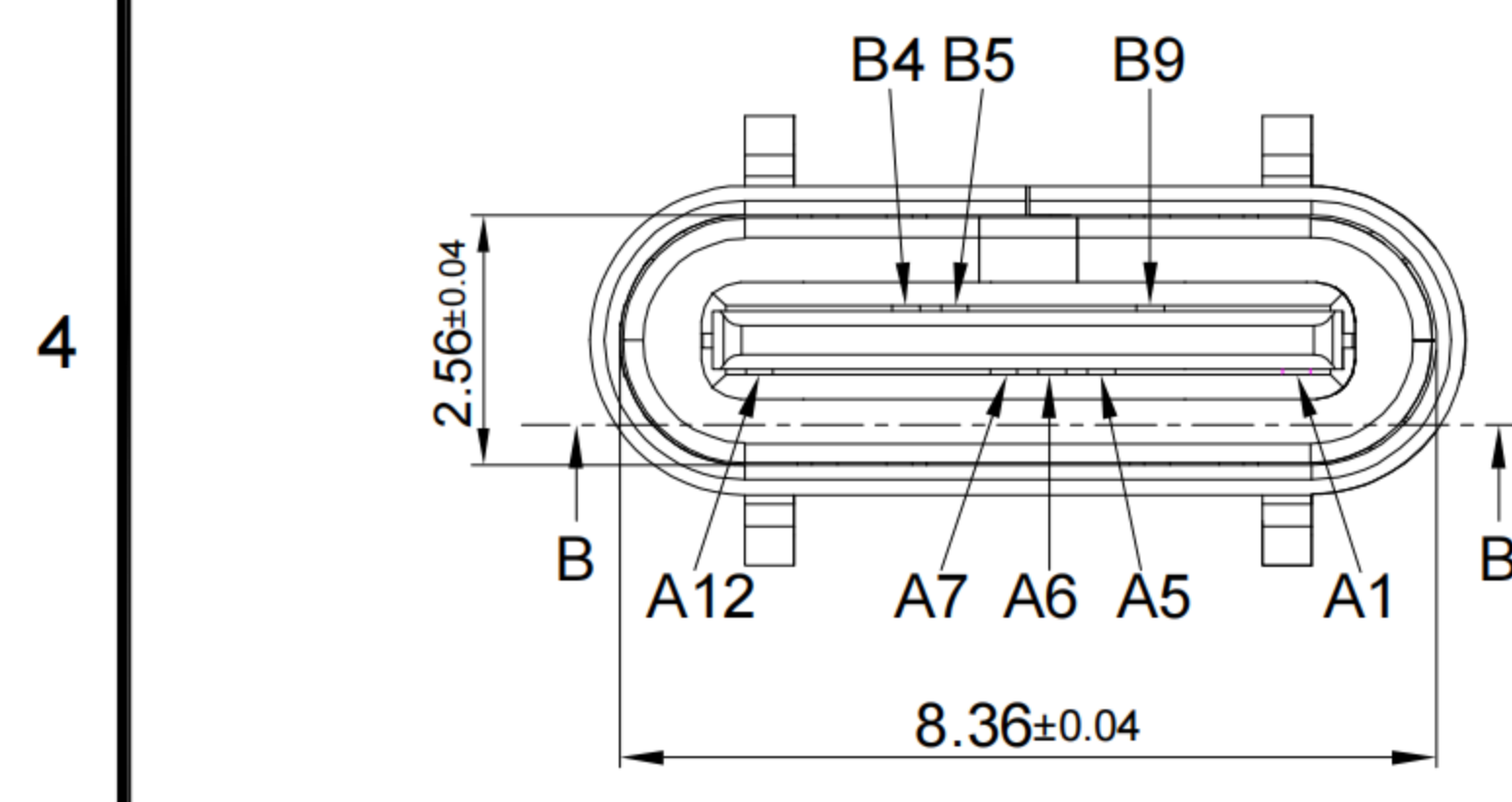
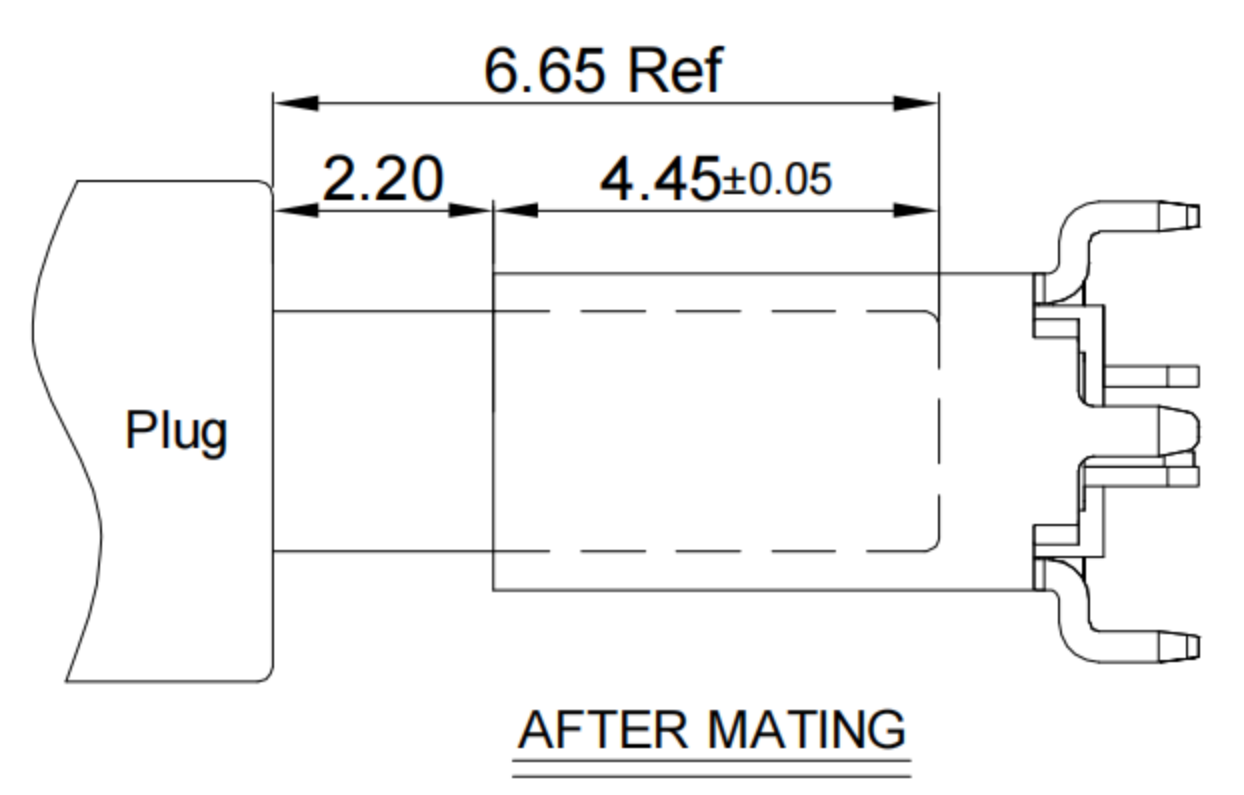


SECTION A-A



RECOMMENDED PCB LAYOUT
TOLERANCE:±0.05



G-Switch USB-C Specification:

- 1.Current rated: 5A on vbus/1.25A on vconn/0.25A on other
- Voltage rating: 24V AC
- 2.Withstanding voltage: 100V AC/minute
- 3.Contact resistance: 40mΩ Max
- 4.Insulation resistance: 100MΩ Min
- 5.Operating temperature: -40°C ~ +85°C
- 6.Mating force: 5N~20N
- 7.Unmating force: 8N~20N
- 8.Durability cycle:10,000 cycles

A1	A2	A3	A4	A5	A6	A7	A8	A9	A10	A11	A12
GND				CC1	D+	D-					GND
First				Second	Second	Second					First
B12	B11	B10	B9	B8	B7	B6	B5	B4	B3	B2	B1
			VBUS				CC2	VBUS			
			First				Second	First			

1	SHELL	STAINLESS STEEL304	Ni PLATED
2	MID PLATE	STAINLESS STEEL301	
3	HOUSING	HIGH TEMPERATURE PLASTIC	PA9T BLACK UL 94 V-0
4	TERMINALS	COPPER ALLOY C2680	Au PLATING ON CONTACT AREA
5	CAP	LCP	BLACK
NO.	PARTS	MATERIAL	REMARKS



SCALE: 1:1 UNIT: mm

SIZE: A4

Unless otherwise General Tolerance:

X.x	±0.30
X.xx	±0.20
X.xxx	±0.10
X°	±10

Title: Vertical Type-c 8P Female
DIP H=6.1mm

Molde Code: GT-USB-7057A

DRAWN	CHECKED	APPROVED	DATE
Xia	Chen	Chen	2023.02.31

品赞科技®

b-Switch

www.dg-switch.com

REV: A0 SHEET: 1/1