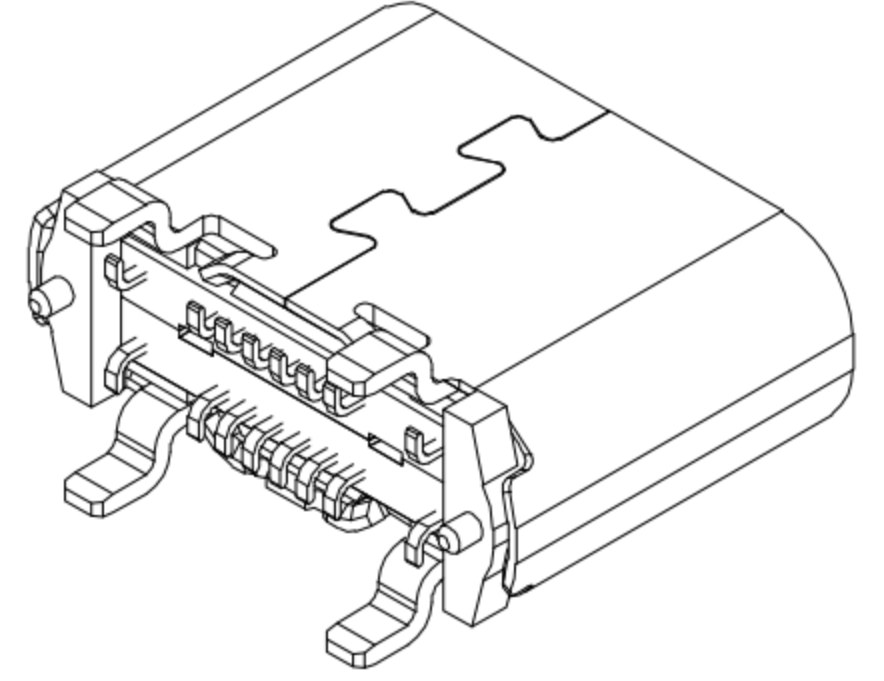
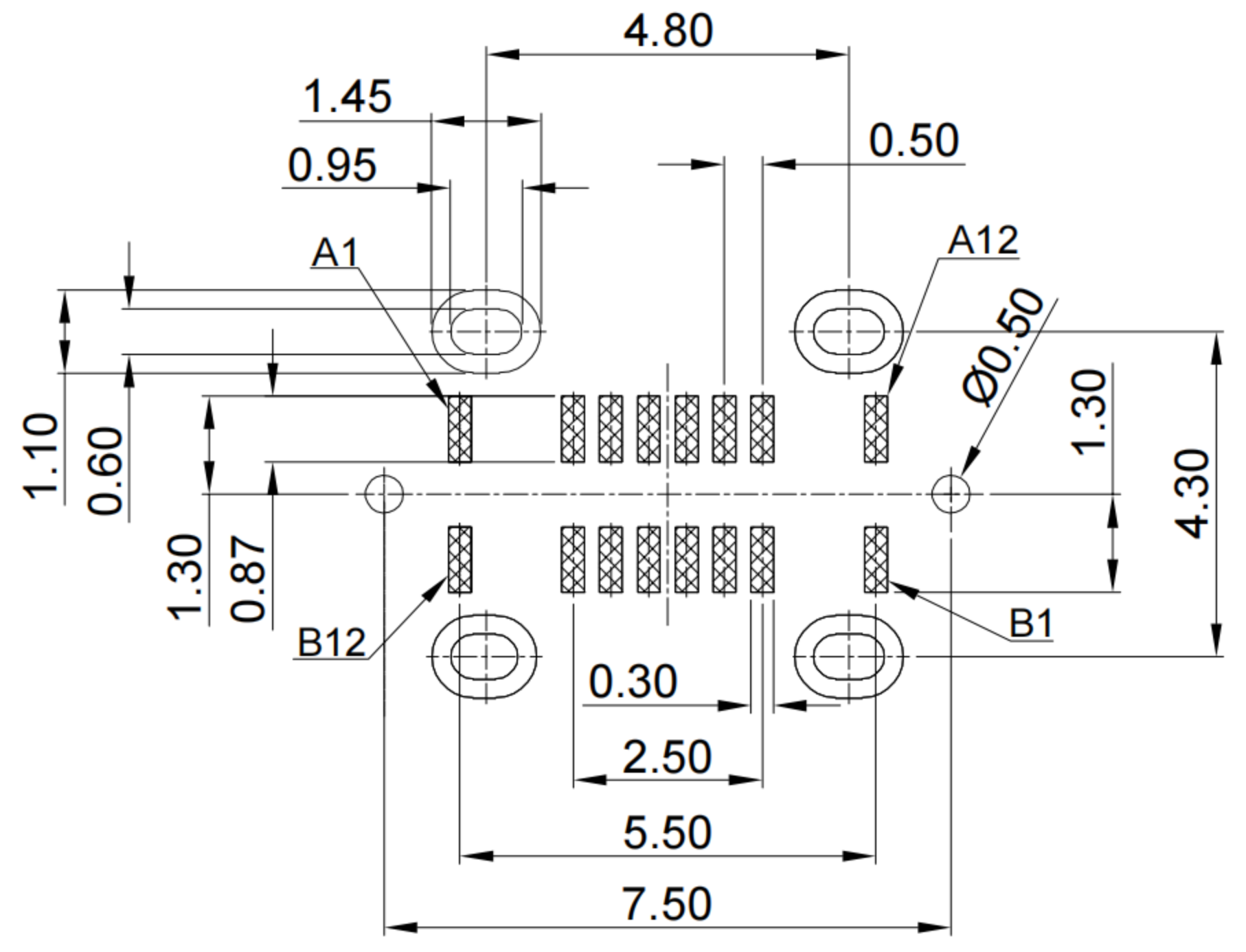
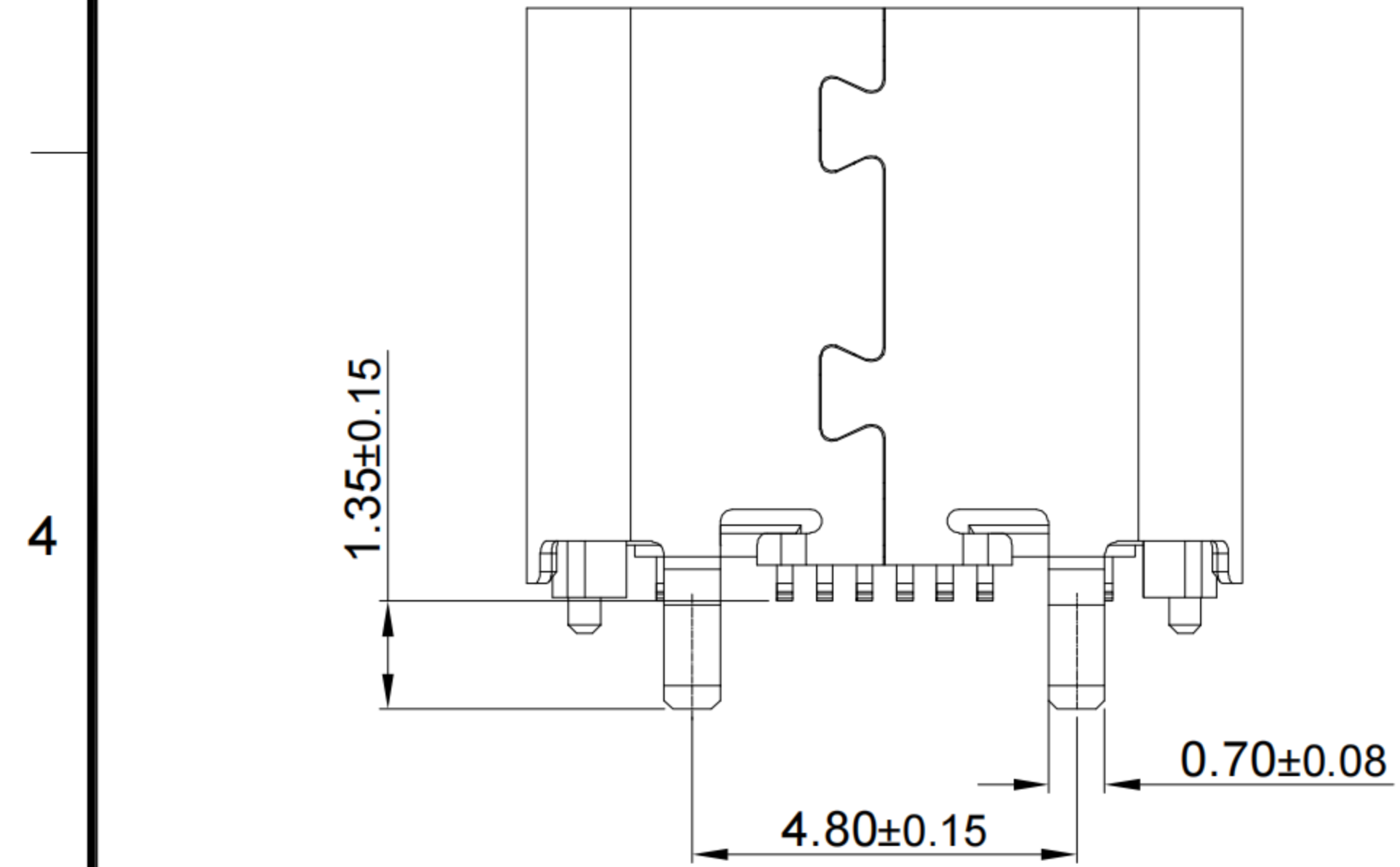


G-Switch USB-C Specification:

- Current rated: 5A on Vbus/1.25A on Vconn/0.25A on other
Voltage rating: 24V AC
- Withstanding voltage: 100V AC/minute
- Contact Resistance: 40mΩ Max
- Insulation Resistance: 100MΩ Min
- Operating temperature: -40 °C ~ +85 °C
- Mating force: 5N~20N
- Unmating force: 8N~20N
- Durability Cycle: 10,000 Cycles



A1	A2	A3	A4	A5	A6	A7	A8	A9	A10	A11	A12
GND			VBUS	CC1	D+	D-	SBU1	VBUS			GND
First			First	Second	Second	Second	Second	First			First

B12	B11	B10	B9	B8	B7	B6	B5	B4	B3	B2	B1
GND			VBUS	SBU2	D-	D+	CC2	VBUS			GND
First			First	Second	Second	Second	Second	First			First

RECOMMENDED PCB LAYOUT
TOLERANCE: ±0.05

1	SHELL	STAINLESS STEEL SUS304	Ni PLATED
2	MID PLATE	STAINLESS STEEL SUS301	
3	HOUSING	HIGH TEMPERATURE PLASTIC	LCP BLACK UL 94 V-0
4	TERMINALS	COPPER ALLOY C7025	Au Plating On Contact Area
5	CAP	HIGH TEMPERATURE PLASTIC	LCP BLACK UL 94 V-0
NO.	PARTS	MATERIAL	REMARKS



SCALE: 1:1 UNIT: mm
SIZE: A4

Title: Vertical Type-c 16P Female
SMT H=7.4mm

Unless otherwise
General Tolerance:
X. ±0.40
X.x ±0.30
X.xx ±0.20
X.xxx ±0.10
Angles ±5°

Molde Code: GT-USB-7055F

DRAWN	CHECKED	APPROVED	DATE
Xia	Chen	Chen	2022.12.13



REV: A0 SHEET: 1/1