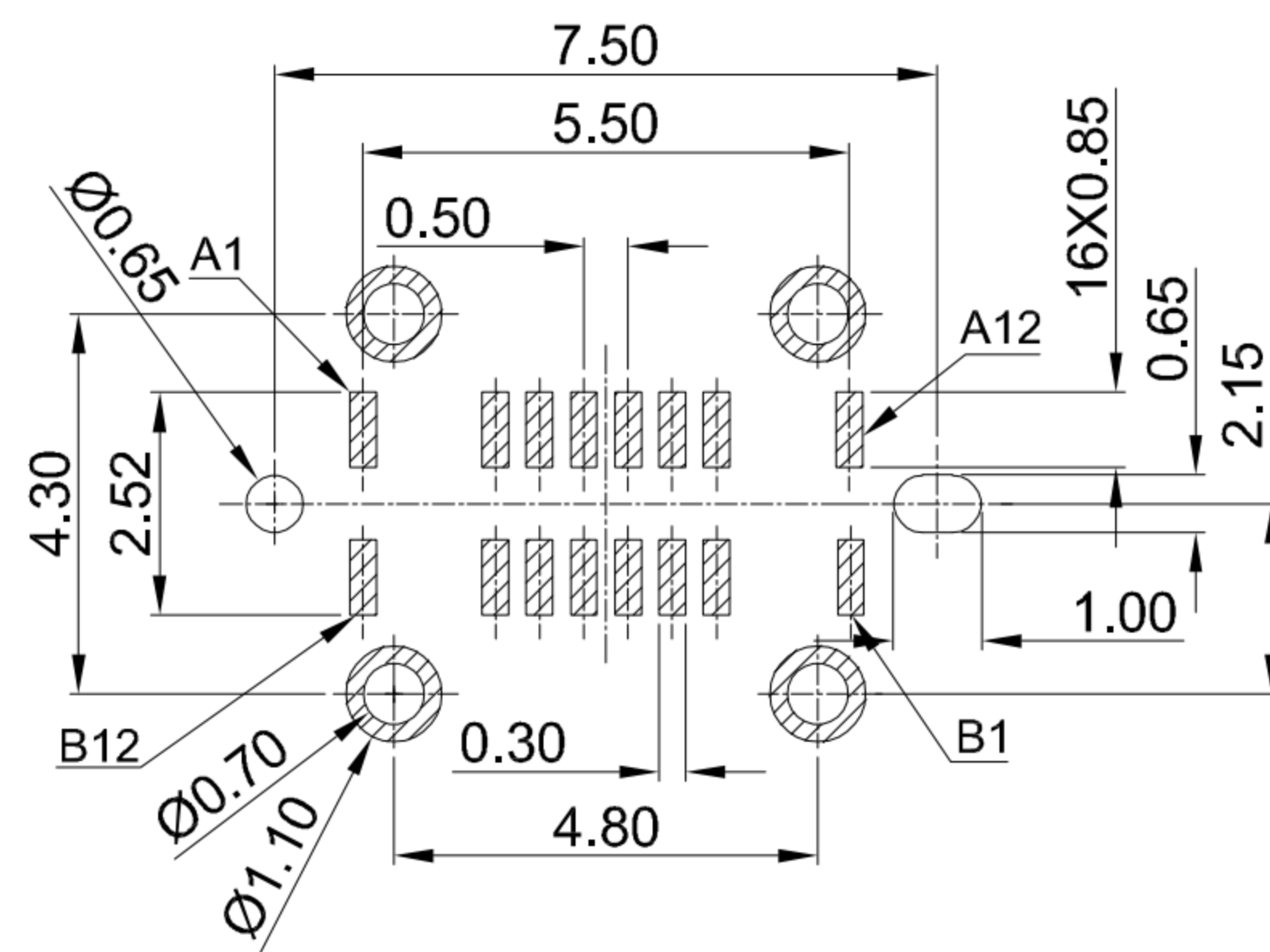
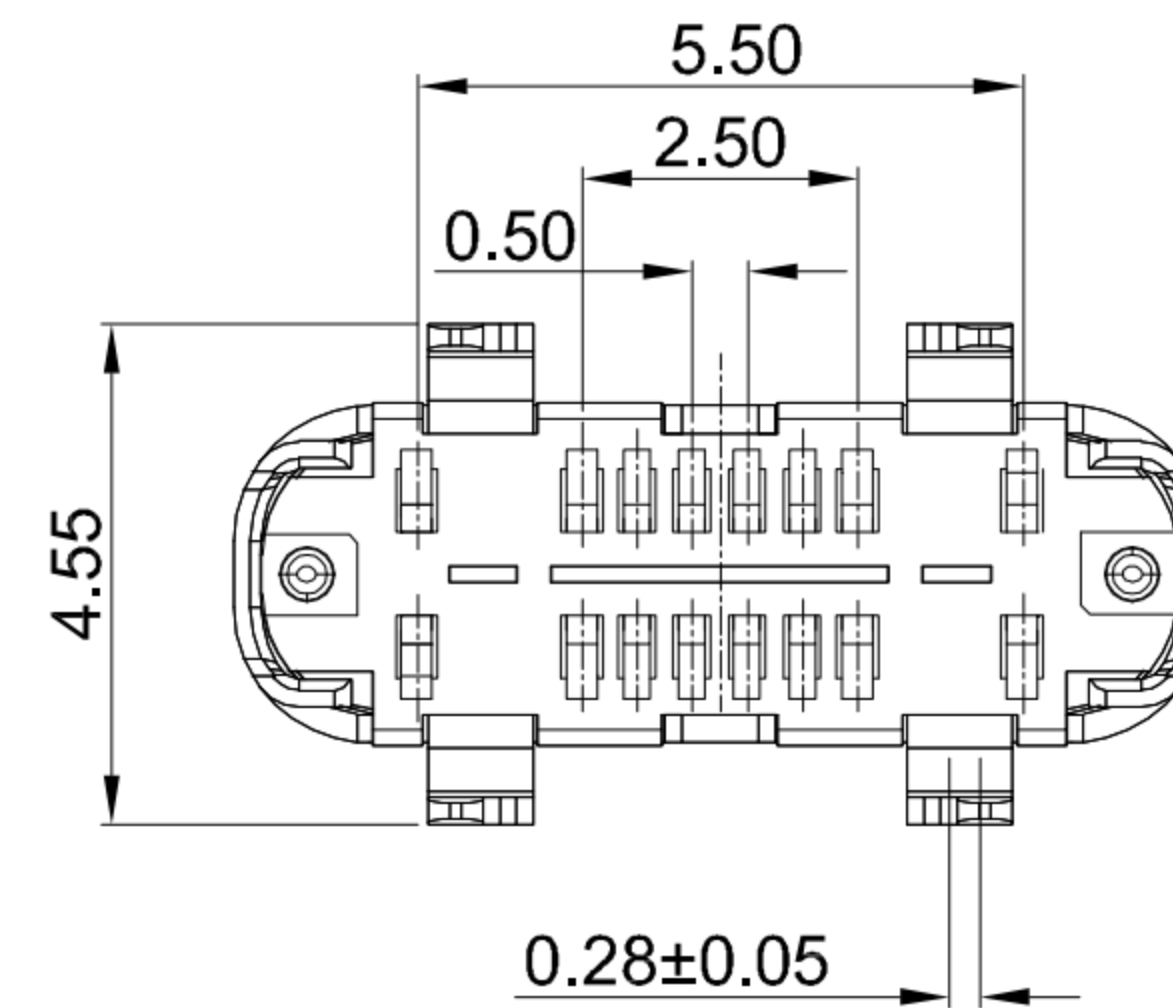
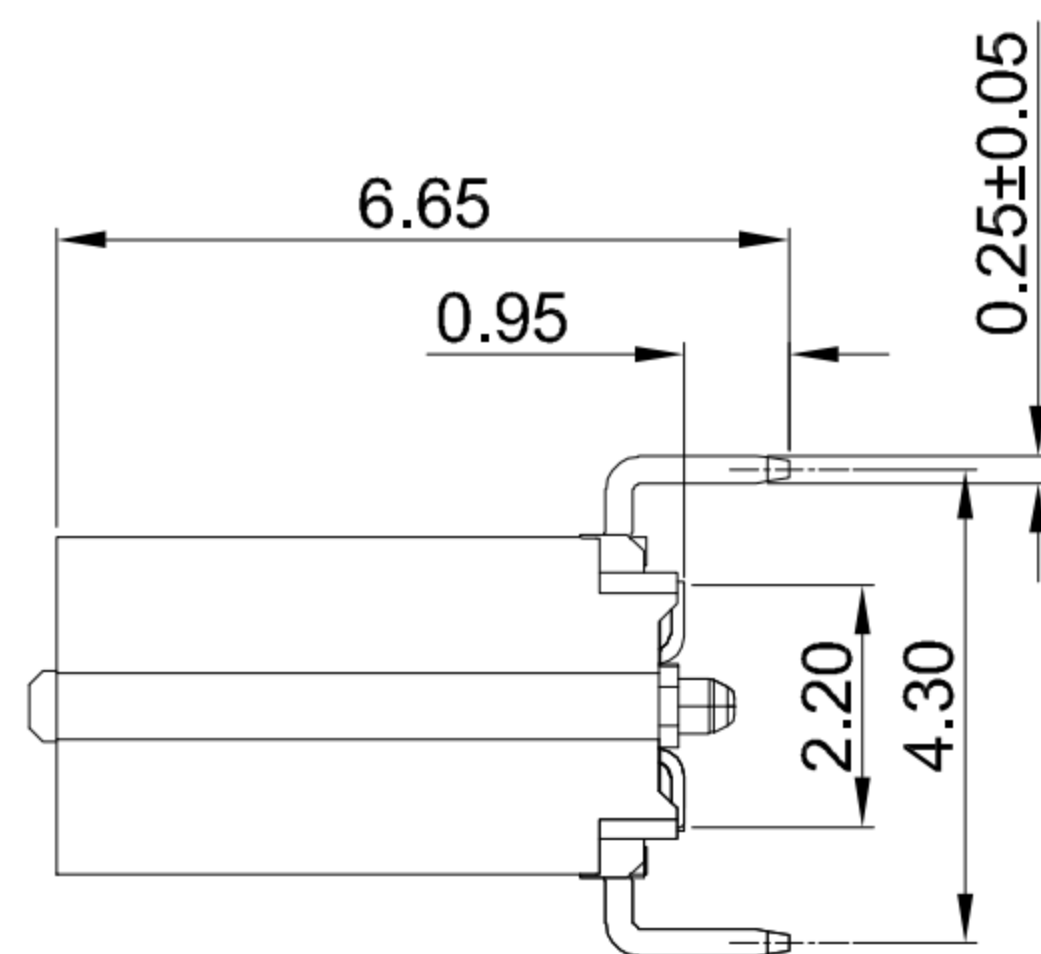
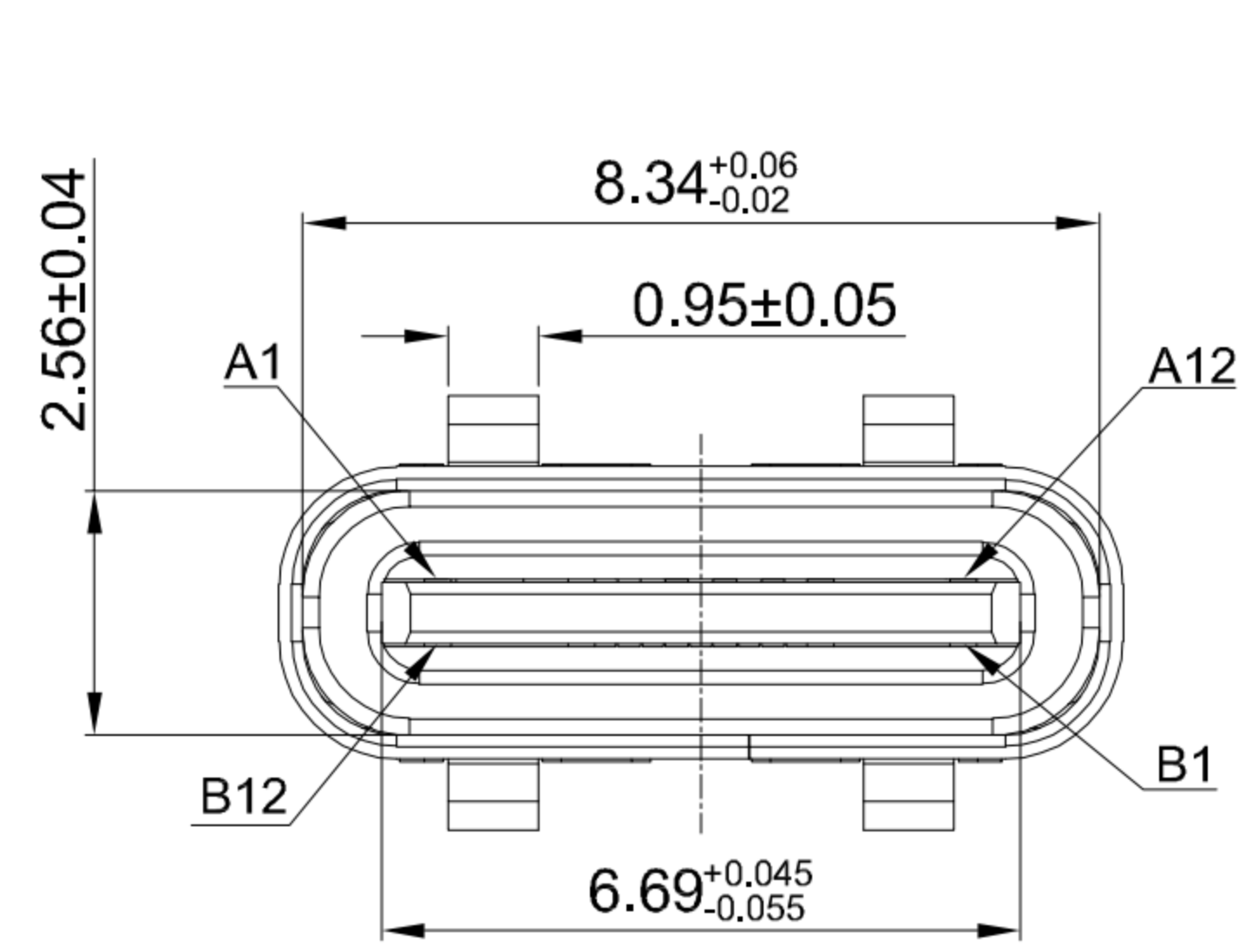
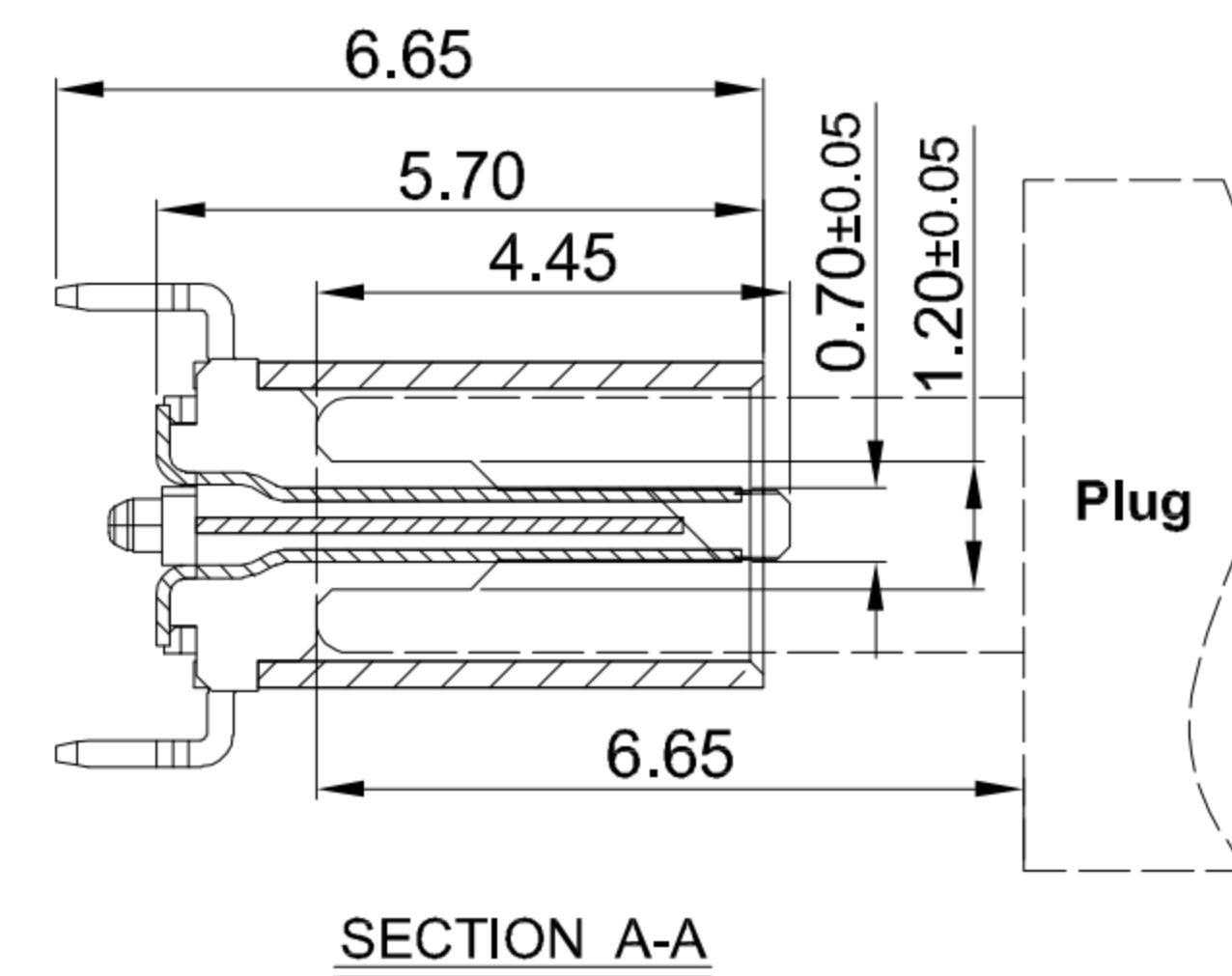


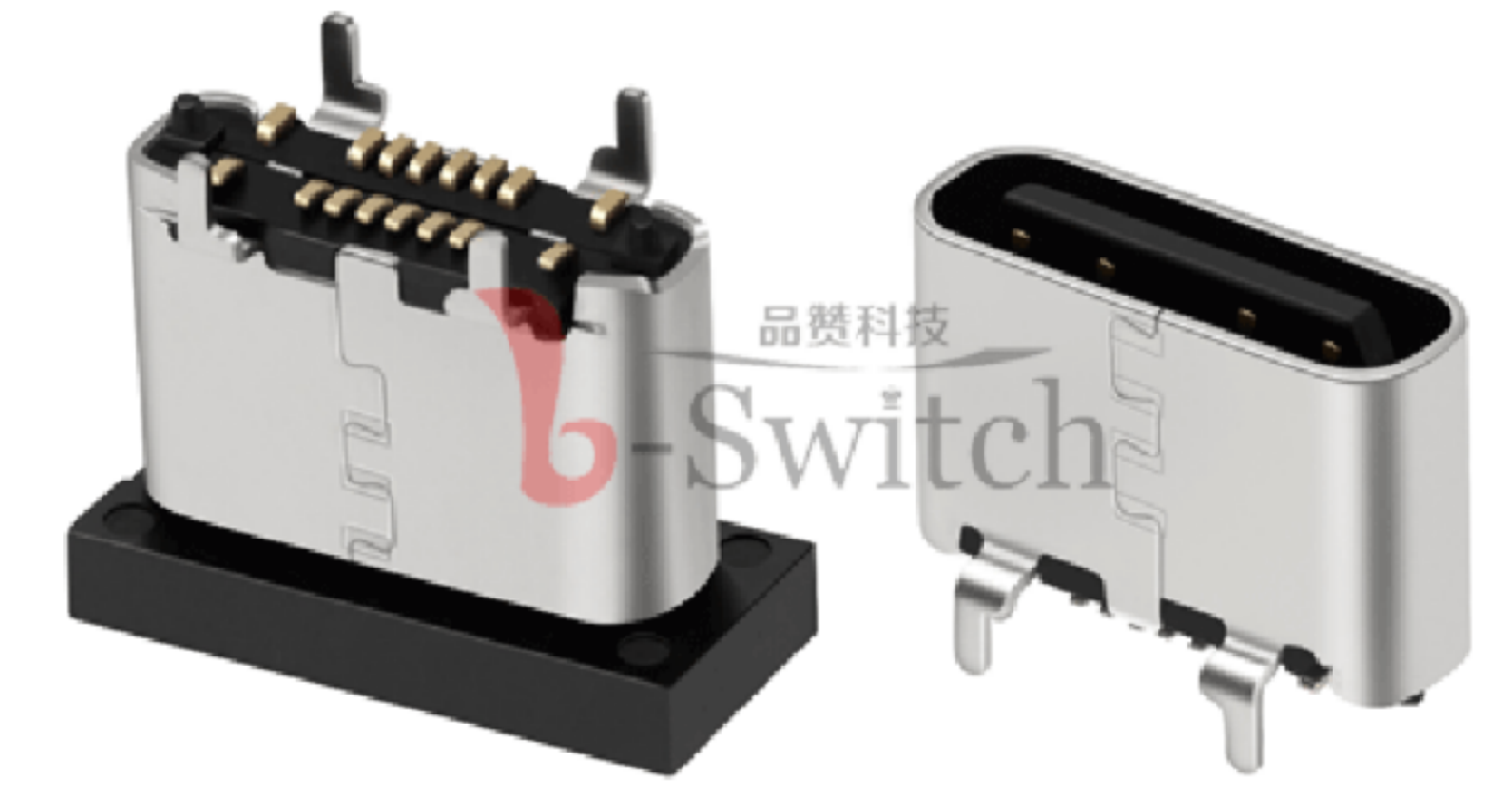
CAP DIMENSIONS



RECOMMENDED PCB LAYOUT  
TOLERANCE: ±0.05



SECTION A-A



**G-Switch USB-C Specification:**

1. Current rated: 5A on Vbus/1.25A on Vconn/0.25A on other
2. Voltage rating: 24V AC
3. Withstanding voltage: 100V AC/minute
4. Contact Resistance: 40mΩ Max
5. Insulation Resistance: 100MΩ Min
6. Operating temperature: -40 °C ~ +85 °C
7. Mating force: 5N~20N
8. Unmating force: 8N~20N
9. Durability Cycle: 10,000 Cycles
9. Salt fog Test: 48H

A1	A2	A3	A4	A5	A6	A7	A8	A9	A10	A11	A12
GND			VBUS	CC1	D+	D-	SBU1	VBUS			GND
First			First	Second	Second	Second	Second	First			First
B12	B11	B10	B9	B8	B7	B6	B5	B4	B3	B2	B1
GND			VBUS	SBU2	D-	D+	CC2	VBUS			GND
First			First	Second	Second	Second	Second	First			First

1	SHELL	STAINLESS STEEL	NI PLATED
2	MID PLATE	STAINLESS STEEL	-
3	HOUSING	HIGH TEMPERATURE PLASTIC	LCP BLACK UL 94 V-0
4	TERMINALS	COPPER ALLOY	Au3u" Plating On Contact Area G/F On Solder Area
5	CAP	HIGH TEMPERATURE PLASTIC	LCP BLACK UL 94 V-0
NO.	PARTS	MATERIAL	REMARKS



SCALE: 1:1 UNIT: mm  
SIZE: A4

Title: Vertical Type-c 16P Female  
SMT H=5.7mm

Unless otherwise  
General Tolerance:  
X. ±0.20  
X.x ±0.15  
X.xx ±0.10  
X.xxx ±0.05  
Angles ±3°

Molde Code: GT-USB-7055E

DRAWN	CHECKED	APPROVED	DATE
Xia	Chen	Chen	2022.12.14



REV: A0 SHEET: 1/1