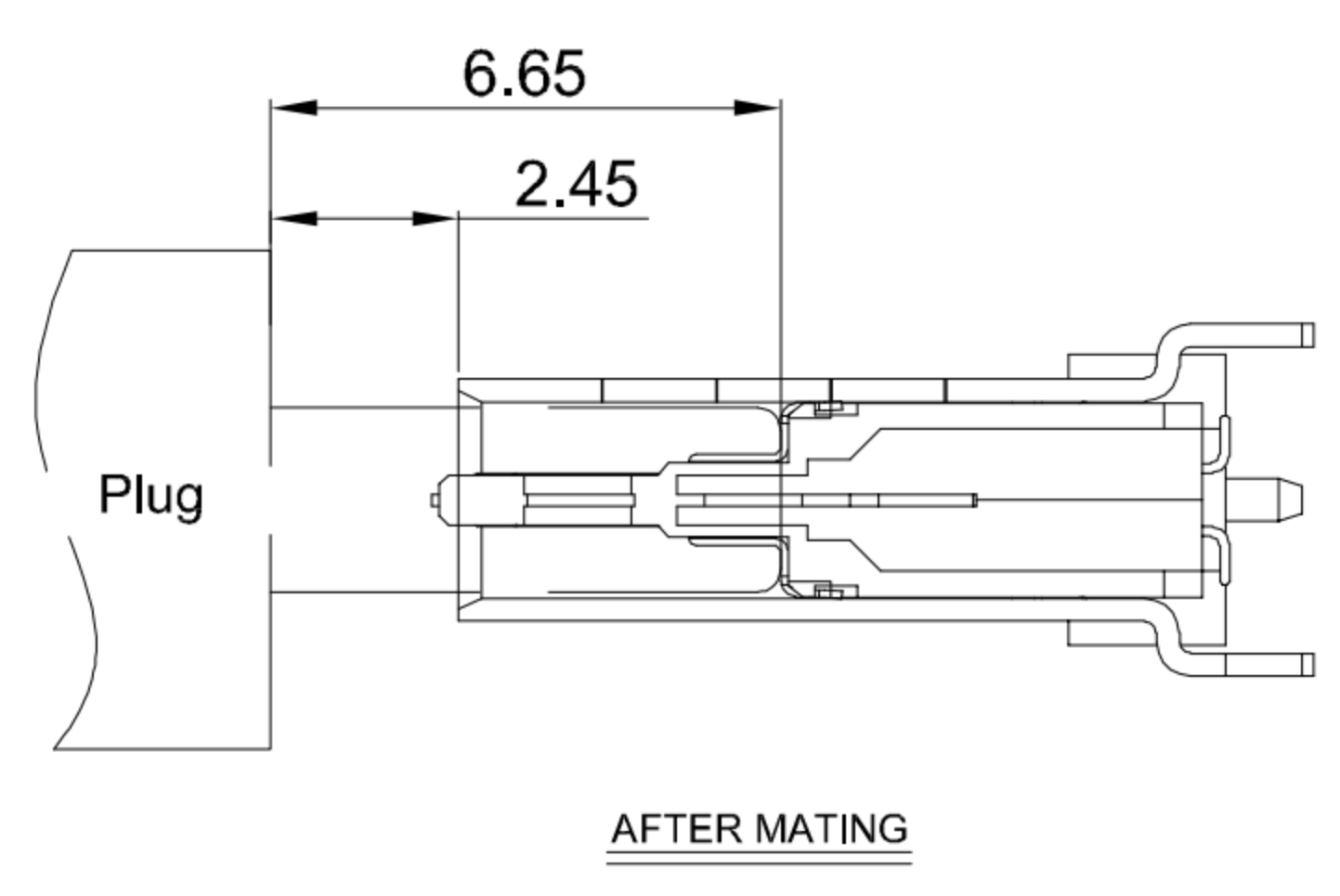
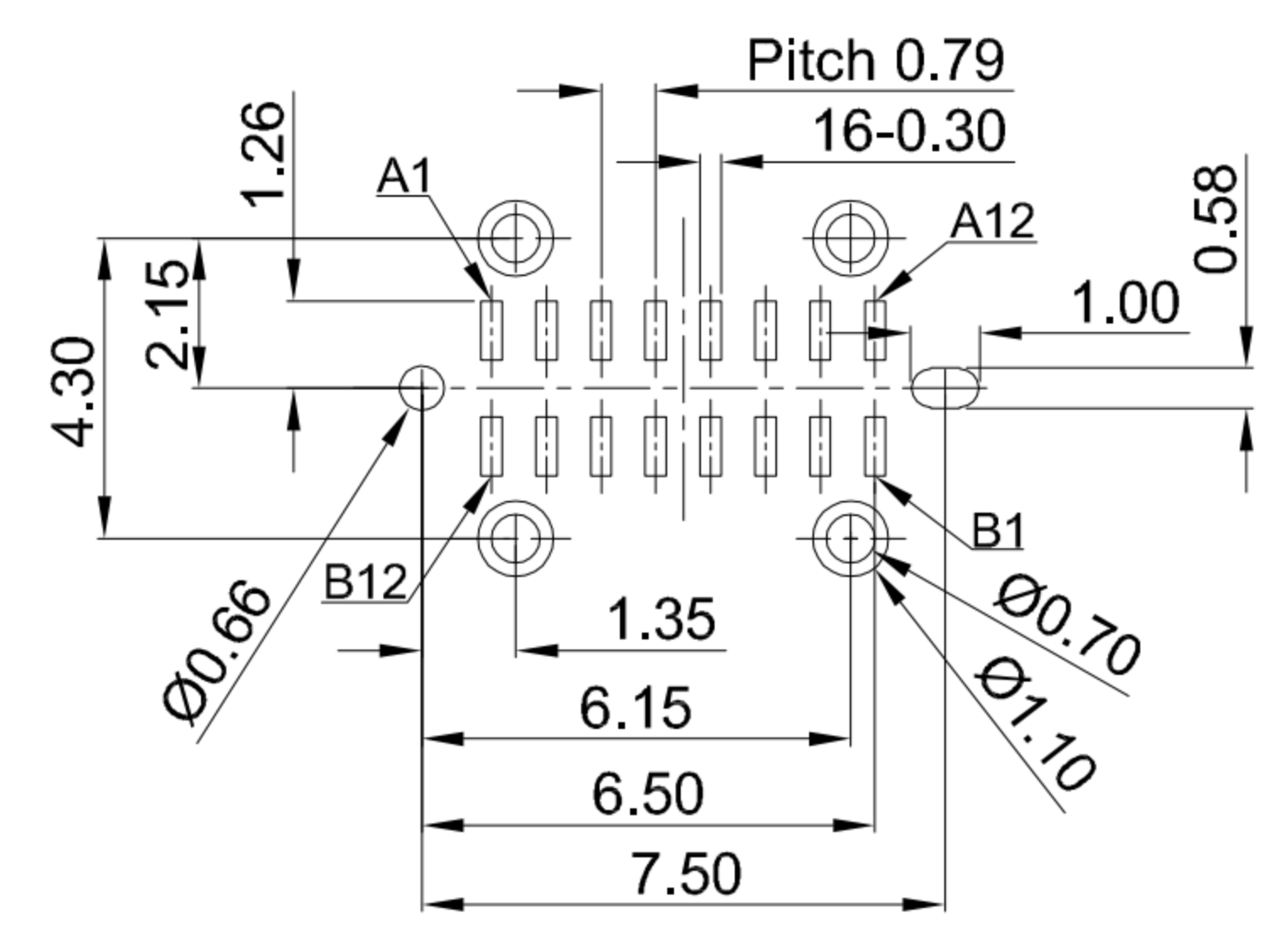
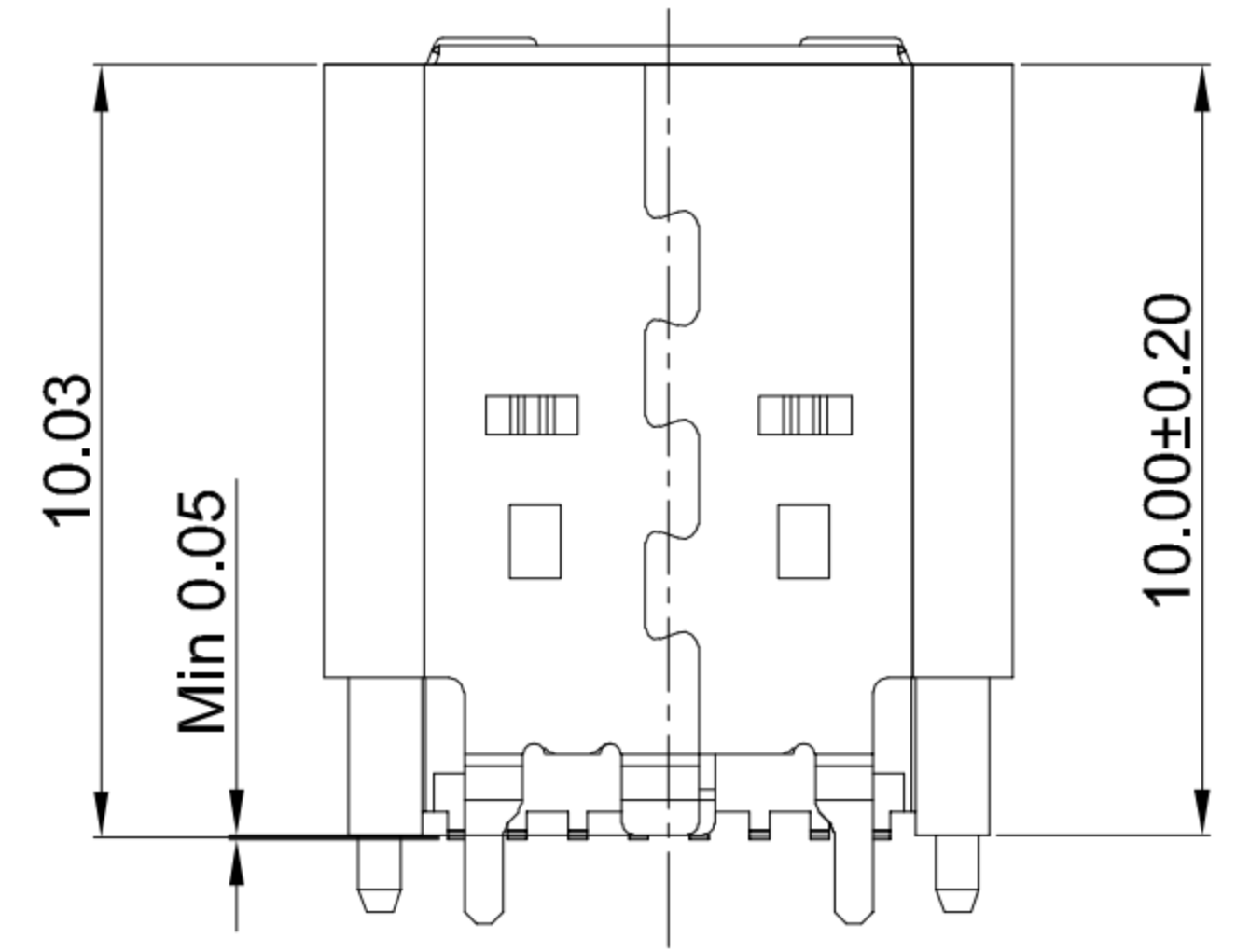


- G-Switch USB-C Specification:**
- Current rated: 5A on vbus/1.25A on vconn/0.25A on other  
Voltage rating: 24V AC
  - Withstanding voltage: 100V AC/minute
  - Contact resistance: 40mΩ Max
  - Insulation resistance: 100MΩ Min
  - Operating temperature: -40°C ~ +85°C
  - Mating force: 5N~20N
  - Unmating force: 8N~20N
  - Durability cycle: 10,000 cycles



A1	A2	A3	A4	A5	A6	A7	A8	A9	A10	A11	A12
GND			VBUS	CC1	D+	D-	SBU1	VBUS			GND
First			First	Second	Second	Second	Second	First			First
B12	B11	B10	B9	B8	B7	B6	B5	B4	B3	B2	B1
GND			VBUS	SBU2	D-	D+	CC2	VBUS			GND
First			First	Second	Second	Second	Second	First			First

1	SHELL	STAINLESS STEEL	SUS304 Ni PLATED
2	EMI	STAINLESS STEEL	SUS316L Ni PLATED
3	MID PLATE	STAINLESS STEEL	SUS304 Ni PLATED
4	HOUSING	HIGH TEMPERATURE PLASTIC	LCP BLACK UL 94 V-0
5	TERMINALS	COPPER ALLOY C7025	Au PLATING ON CONTACT AREA
NO.	PARTS	MATERIAL	REMARKS



SCALE: 1:1 UNIT: mm  
 SIZE: A4  
 Unless otherwise General Tolerance:  
 X. ±0.25  
 X.x ±0.20  
 X.xx ±0.15  
 X.xxx ±0.10  
 X° ±5°

Title: Vertical Type-c 16P Female  
 SMT H=10.0mm  
 Molde Code: GT-USB-7051B  
 DRAWN: Xia CHECKED: Chen APPROVED: Chen DATE: 2023.02.01



REV: A0 SHEET: 1/1