

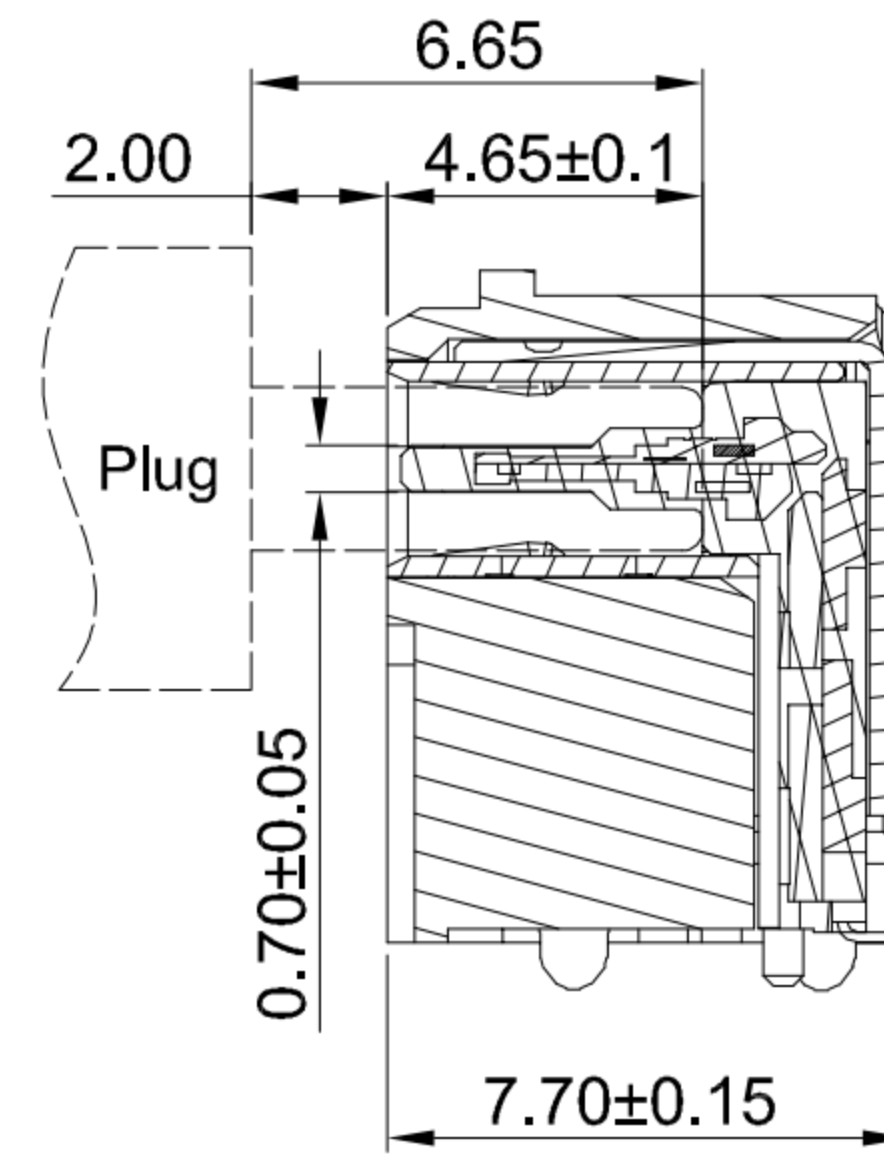
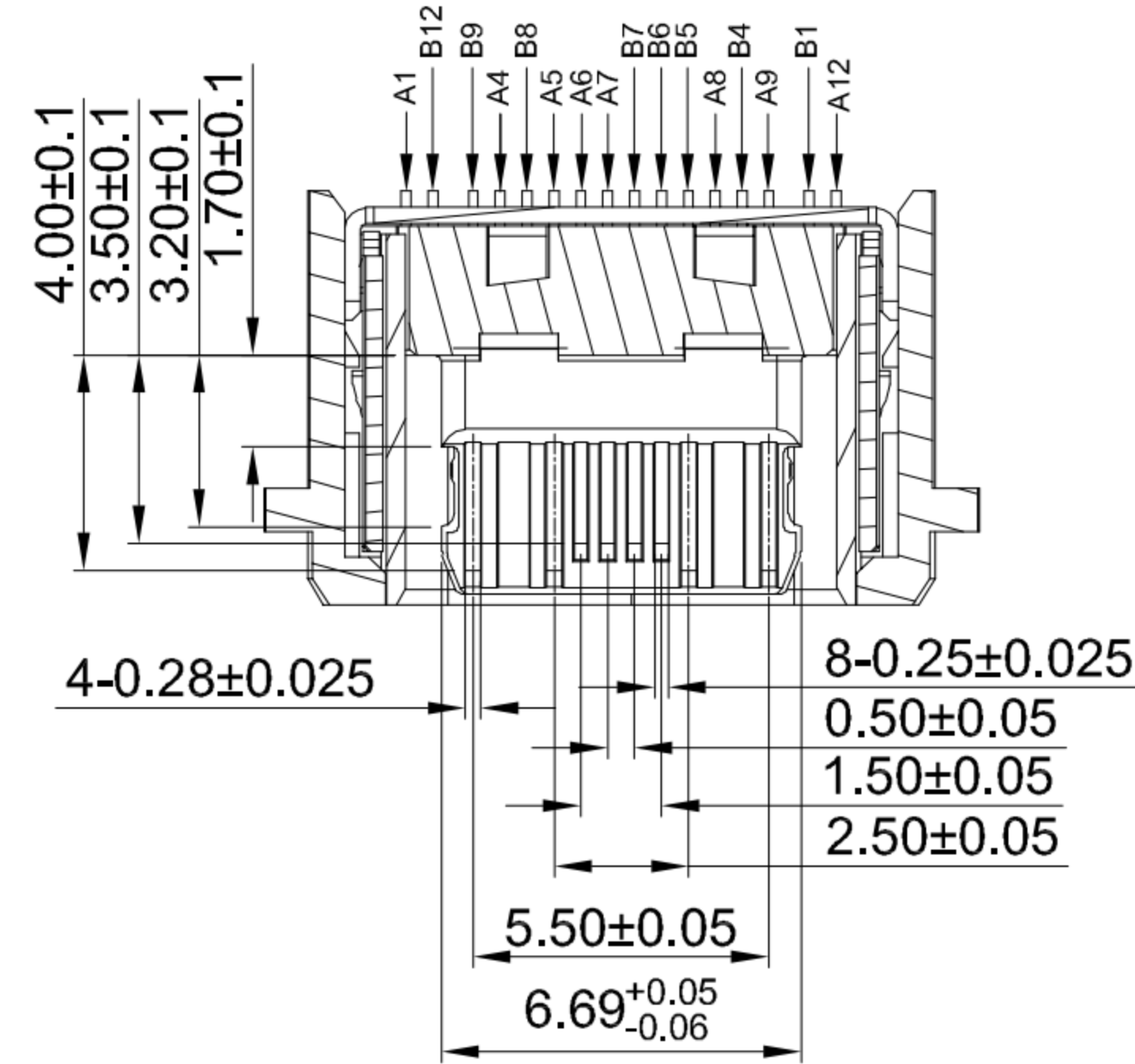
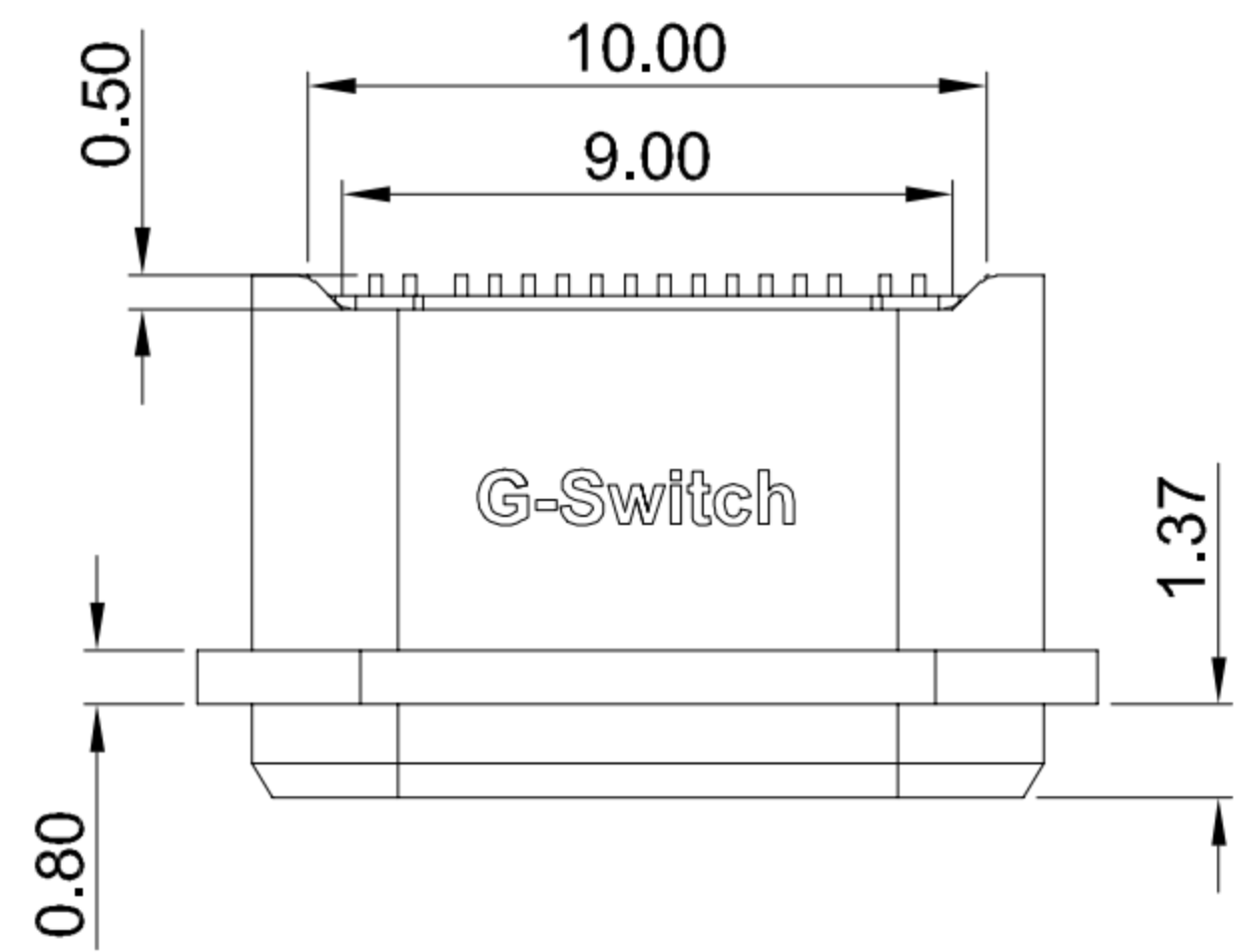
A

B

C

D

E

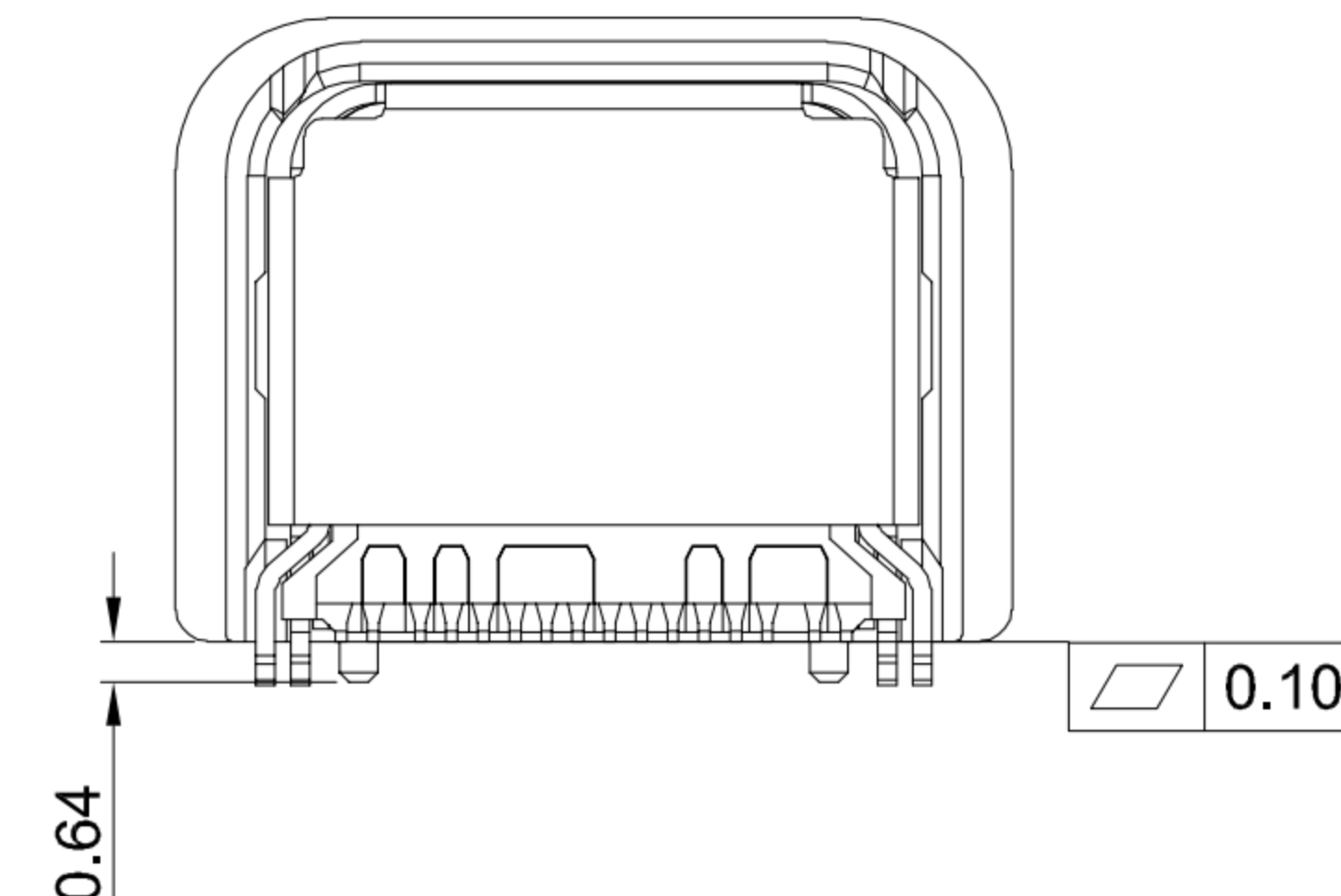
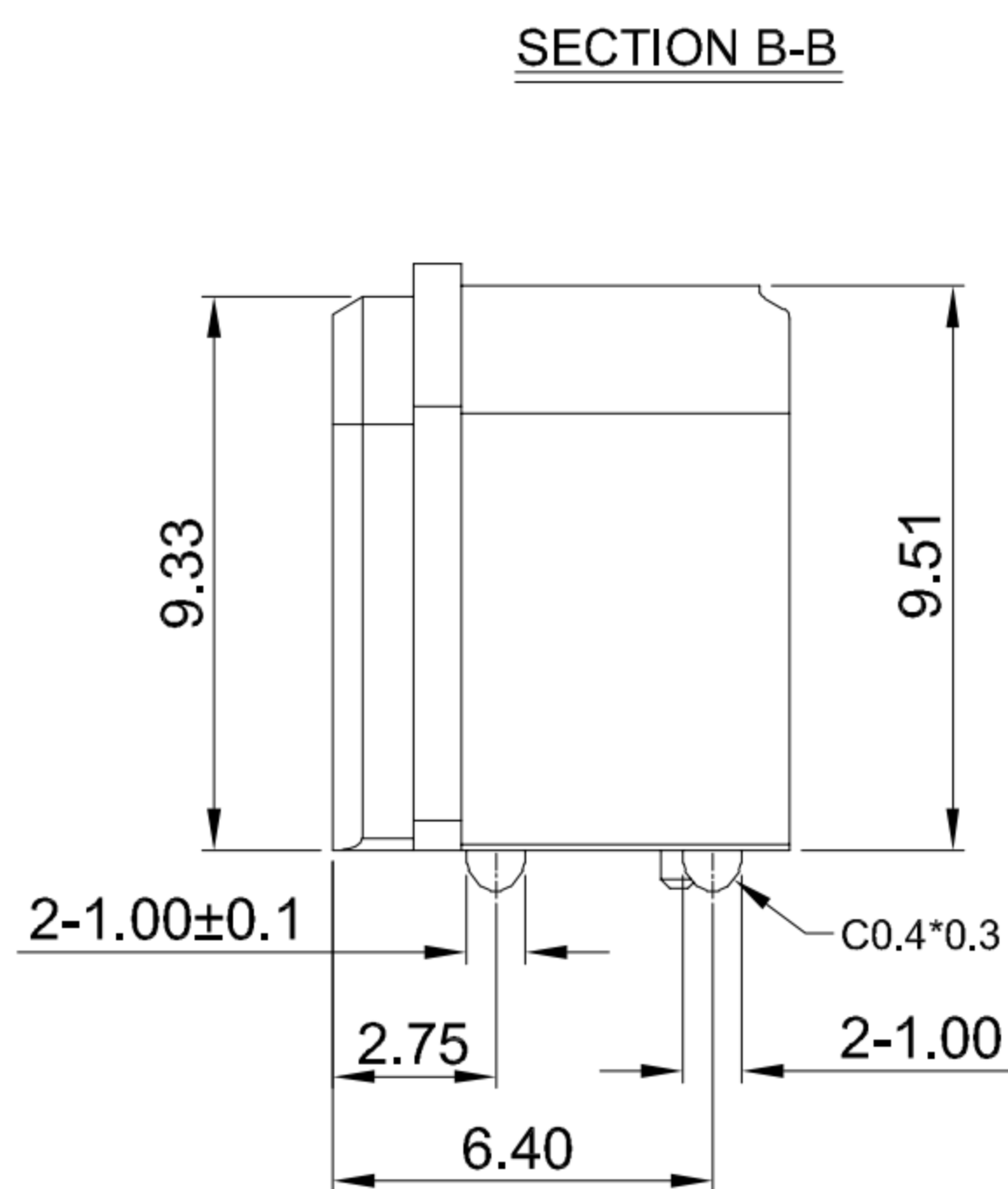
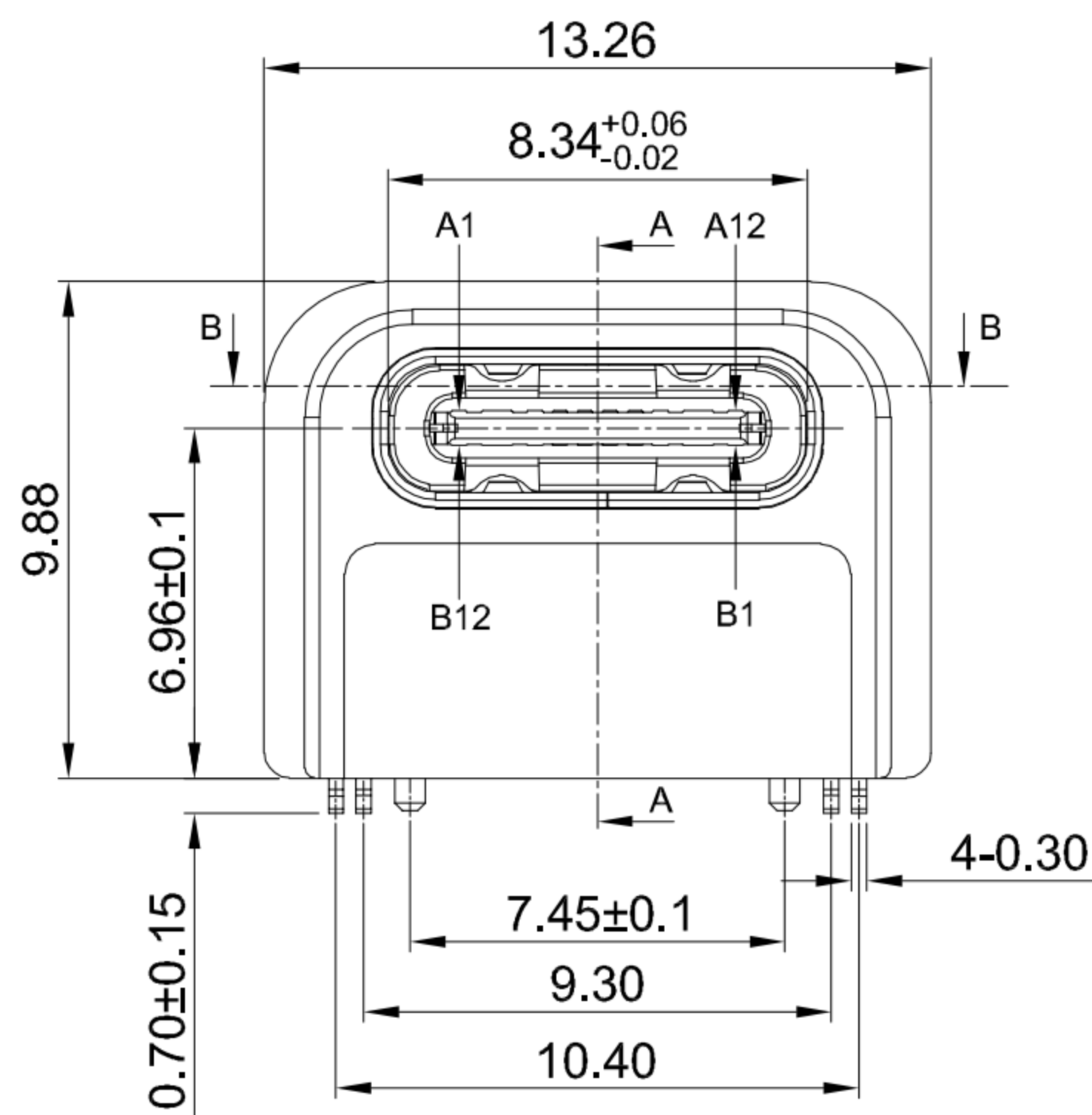


1

1

2

2

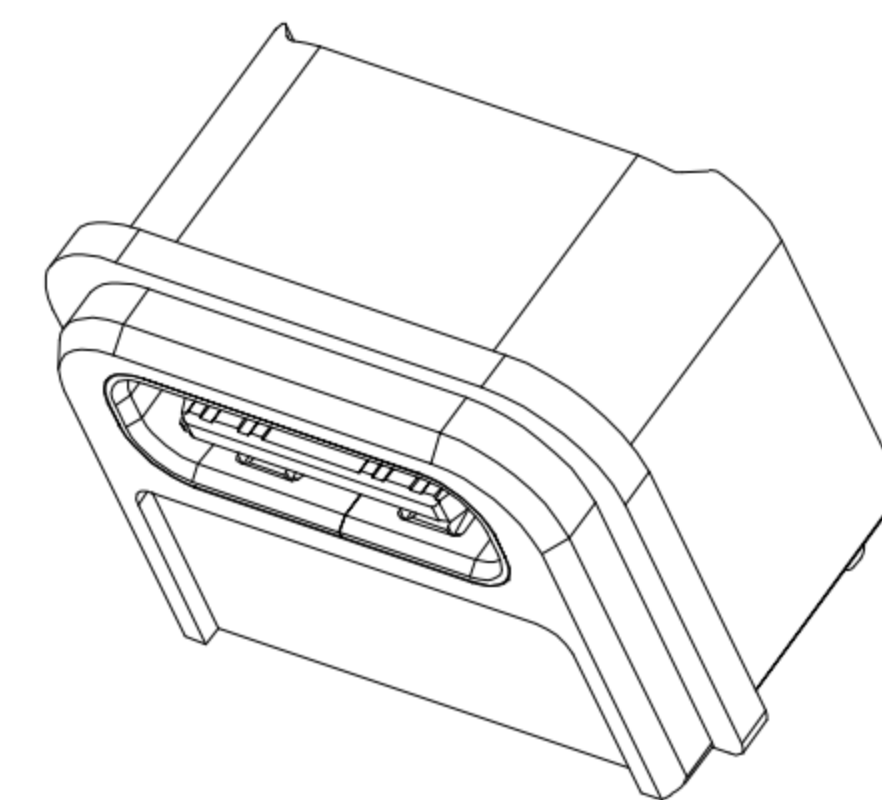
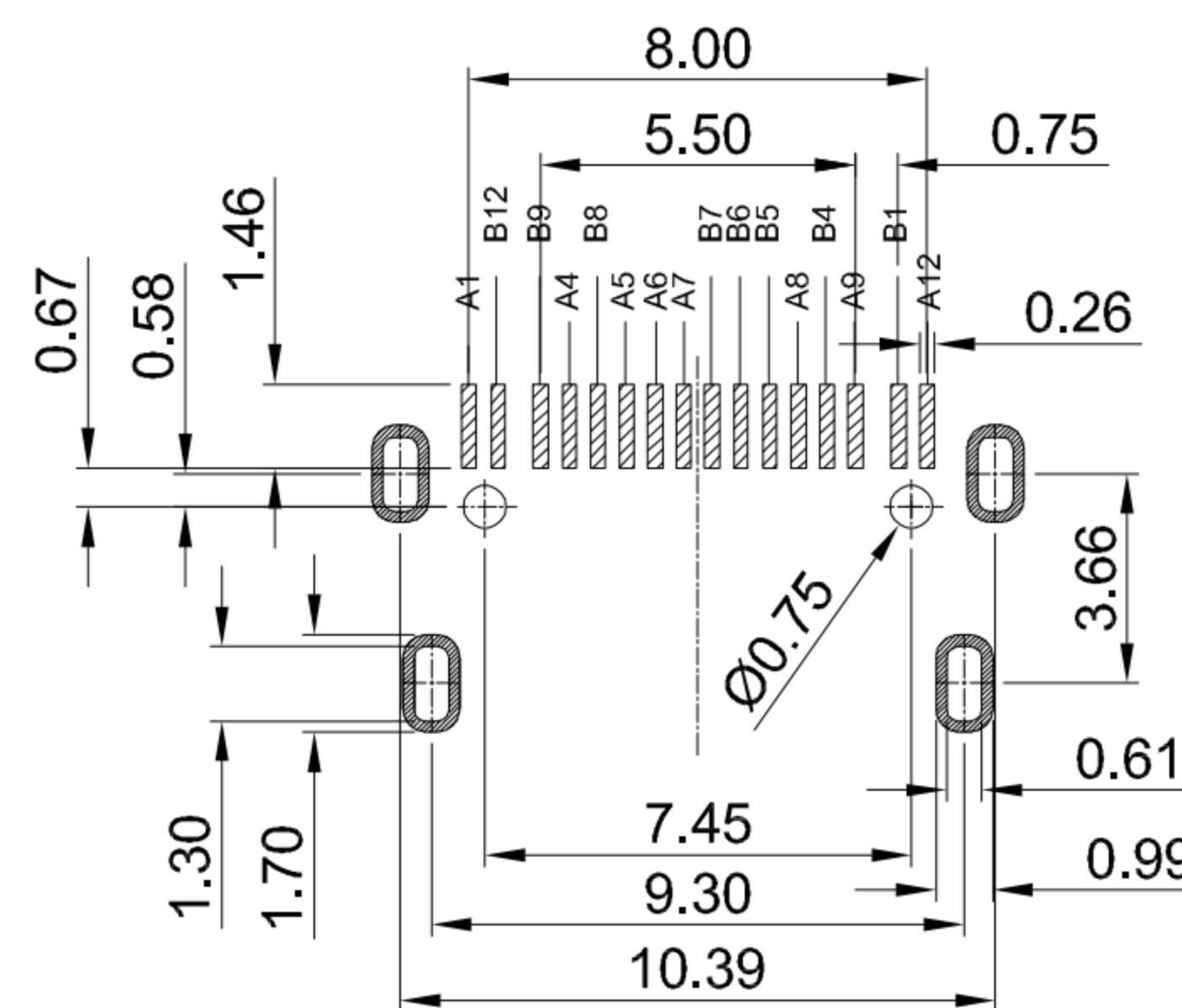
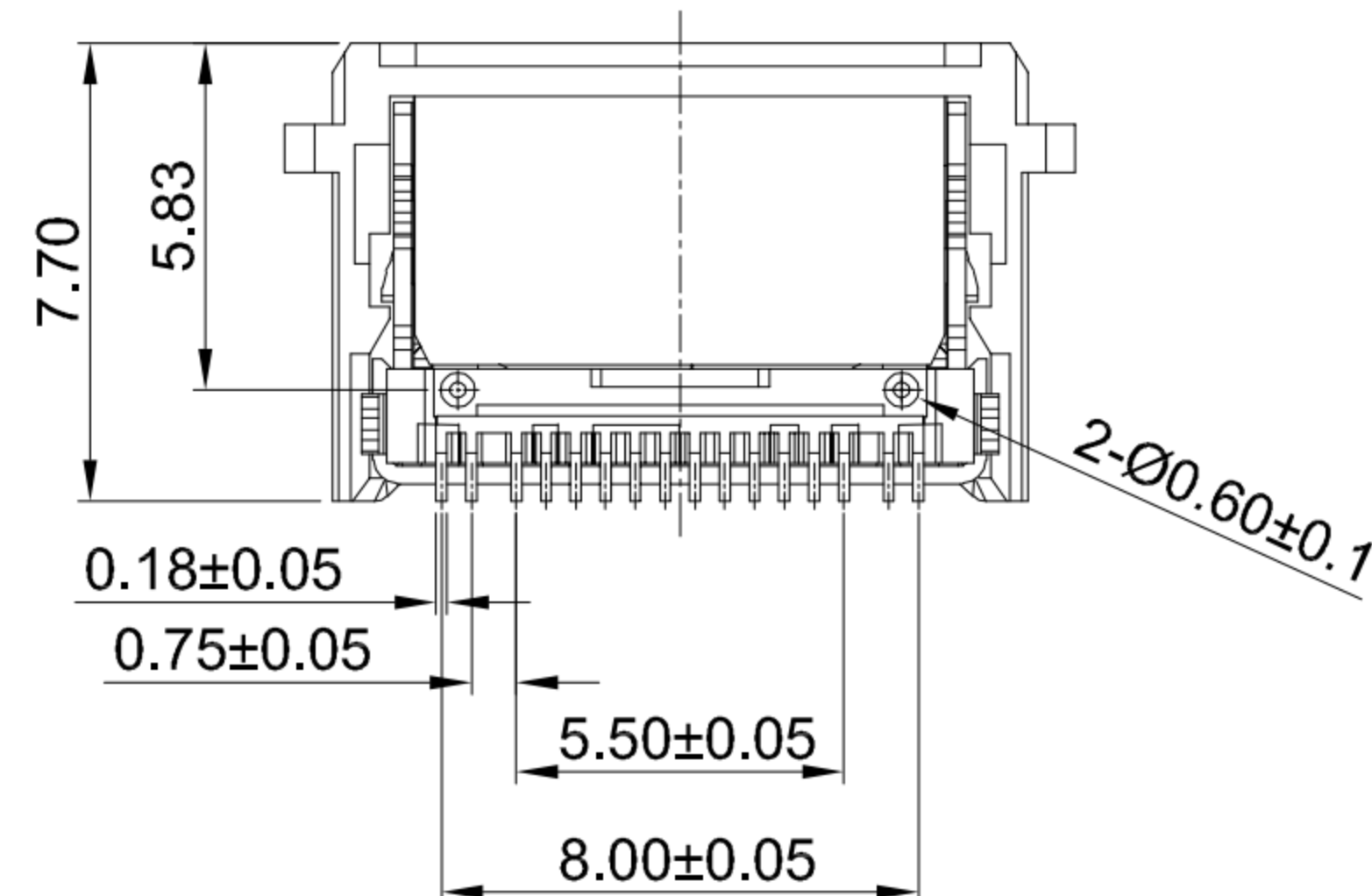


G-Switch USB-C Specification:

1. Current rated: 3A on vbus/1.25A on vconn/0.25A on other
Voltage rating: 5V AC
2. Withstanding voltage: 100V AC/minute
3. Contact resistance: 40mΩ Max
4. Insulation resistance: 100MΩ Min
5. Operating temperature: -40°C ~ +85°C
6. Mating force: 5N~20N
7. Unmating force: 8N~20N
8. Durability cycle: 10,000 cycles

3

3



A1	A2	A3	A4	A5	A6	A7	A8	A9	A10	A11	A12
GND			VBUS	CC1	D+	D-	SBU1	VBUS			GND
First			First	Second	Second	Second	Second	First			First

B12	B11	B10	B9	B8	B7	B6	B5	B4	B3	B2	B1
GND			VBUS	SBU2	D-	D+	CC2	VBUS			GND
First			First	Second	Second	Second	Second	First			First

4

4

RECOMMENDED PCB LAYOUT
TOLERANCE:±0.05

1	TOP SHELL	STAINLESS STEEL SUS304	Ni PLATED
2	FRONT SHELL	STAINLESS STEEL SUS304	Ni PLATED
3	MID PLATE	STAINLESS STEEL SUS301	Ni PLATED
4	HOUSING	HIGH TEMPERATURE PLASTIC	BLACK UL 94 V-0
5	TERMINALS	COPPER ALLOY C2680	Au PLATING ON CONTACT AREA
NO.	PARTS	MATERIAL	REMARKS



SCALE:	UNIT: mm	Title: Horizontal Type-c 16P Female SMT Pad Up CH=6.96 L=7.7mm	
SIZE: A4		Molde Code: GT-USB-7043B	
Unless otherwise General Tolerance:		DRAWN	CHECKED
X.	/	Xia	Chen
X.x	±0.30	APPROVED	DATE
X.xx	±0.20	Chen	2023.02.01
X.xxx	±0.10		
X°	±10°		



REV: A0 SHEET: 1/1

A

B

C

D

E

5

5