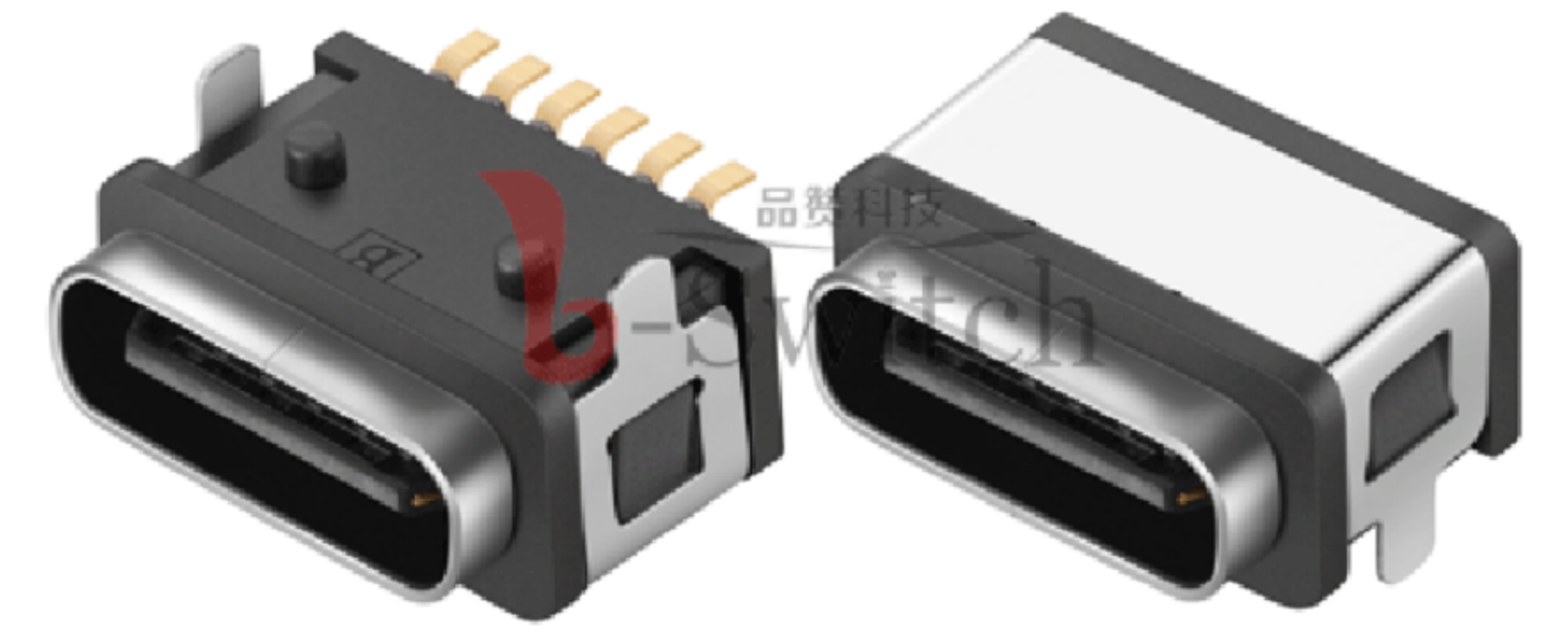
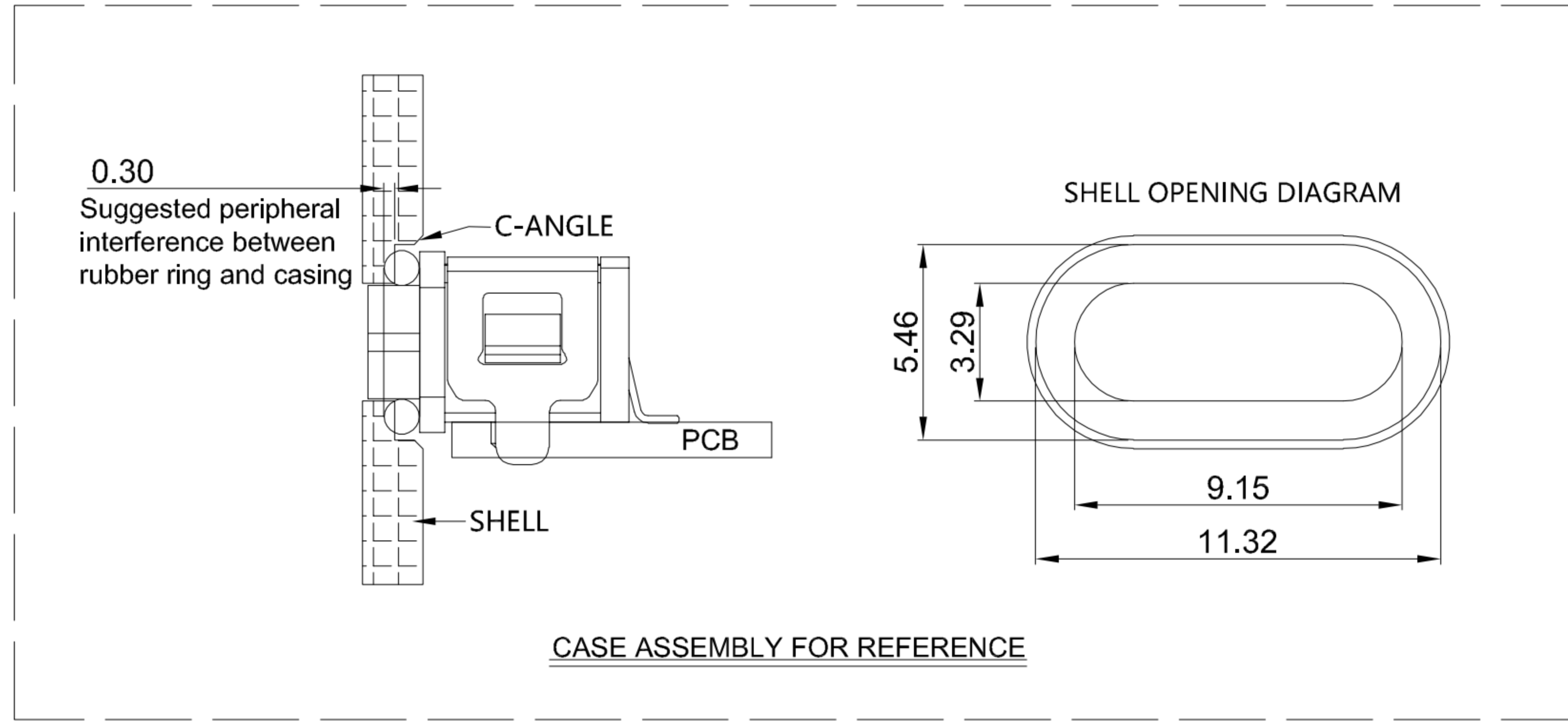
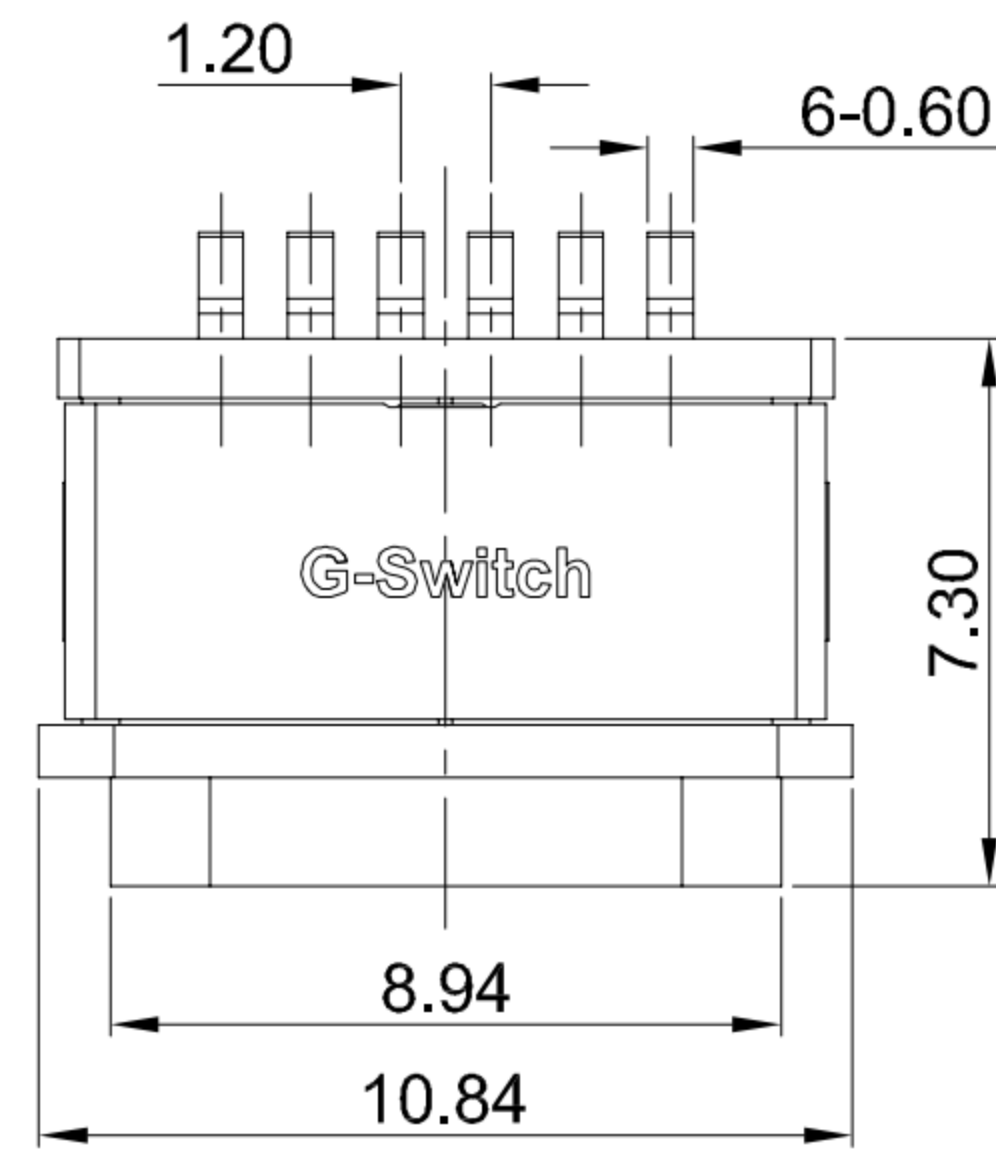
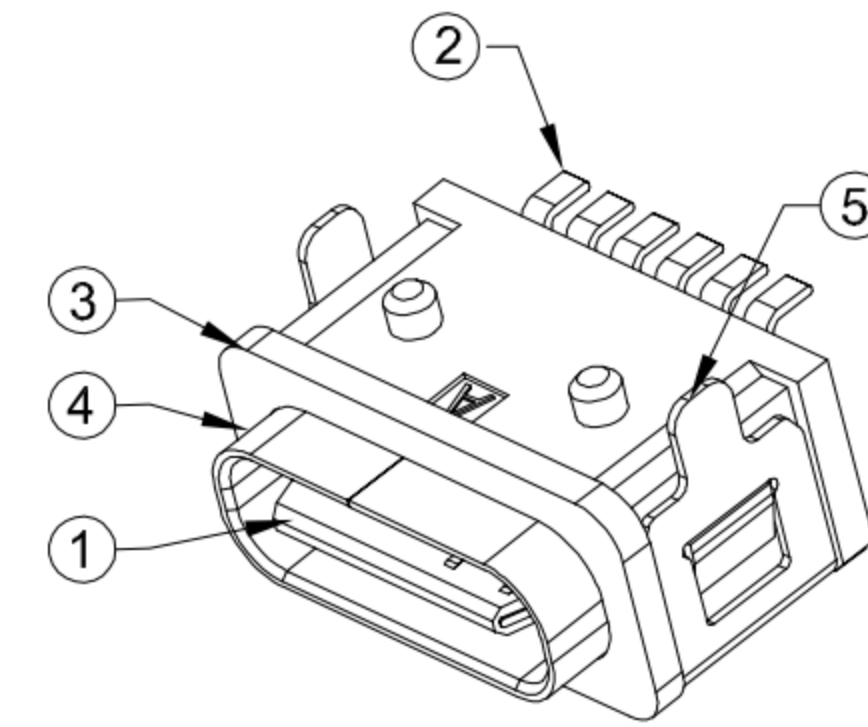
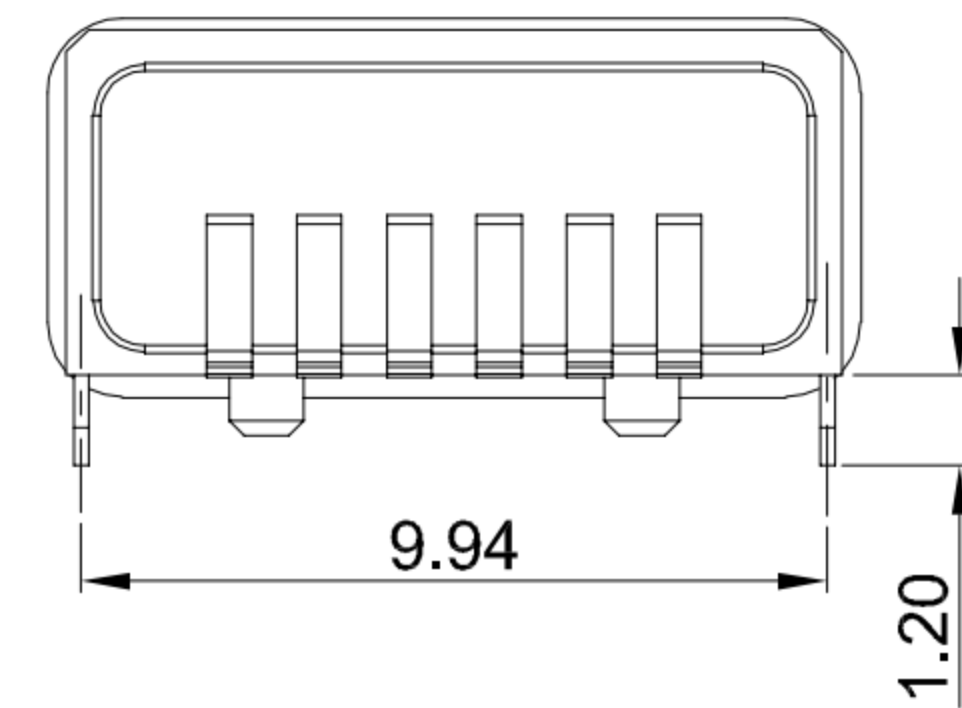
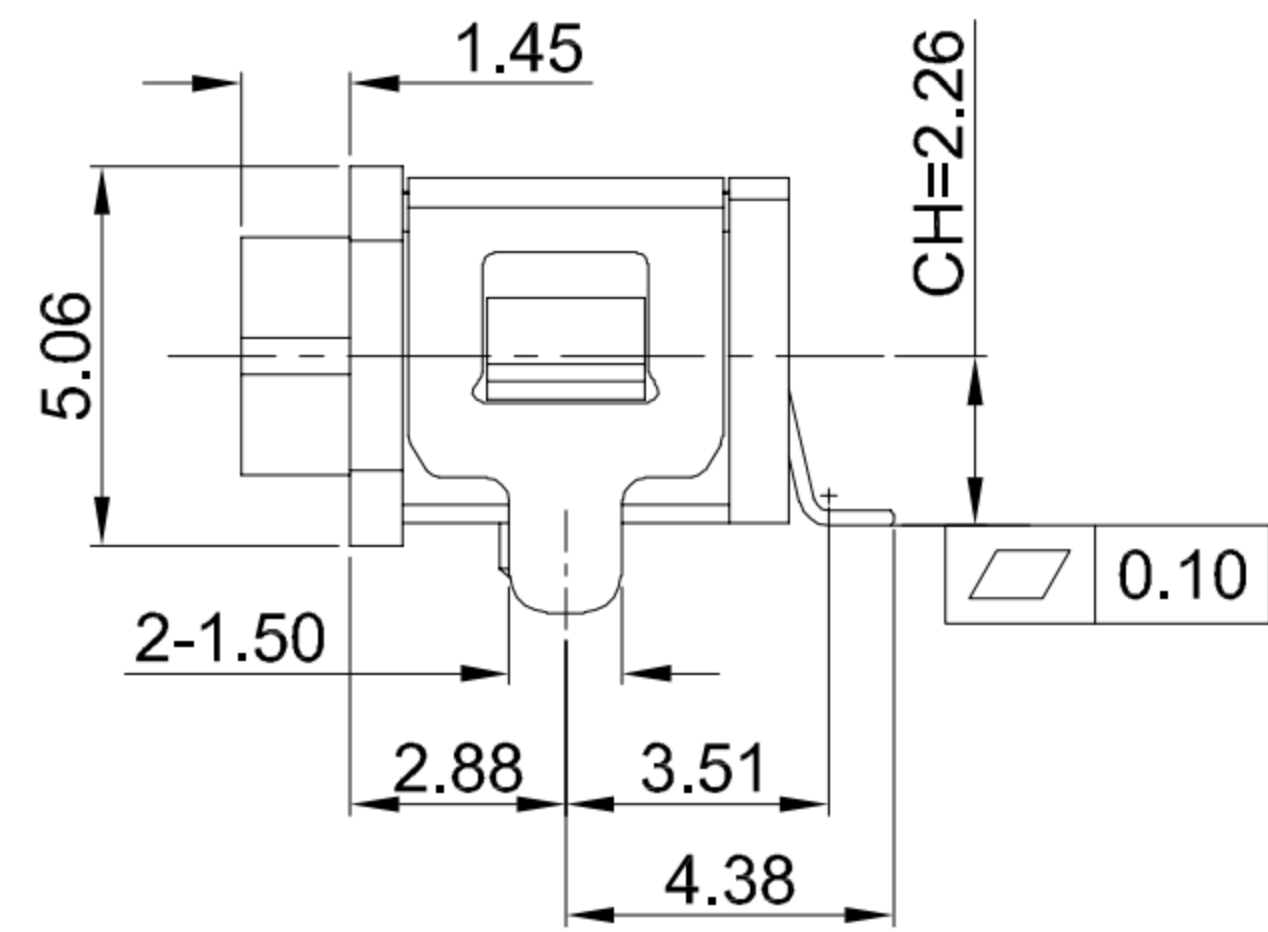
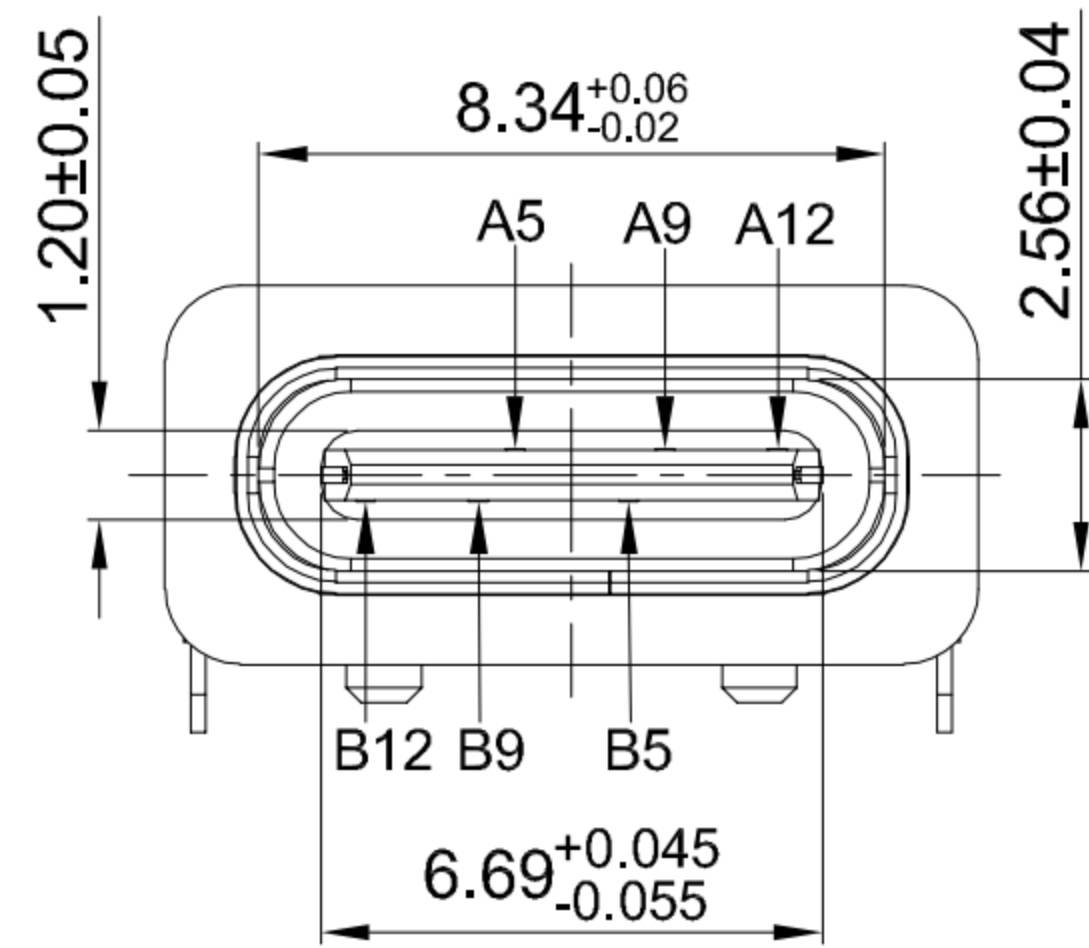


1



1

2

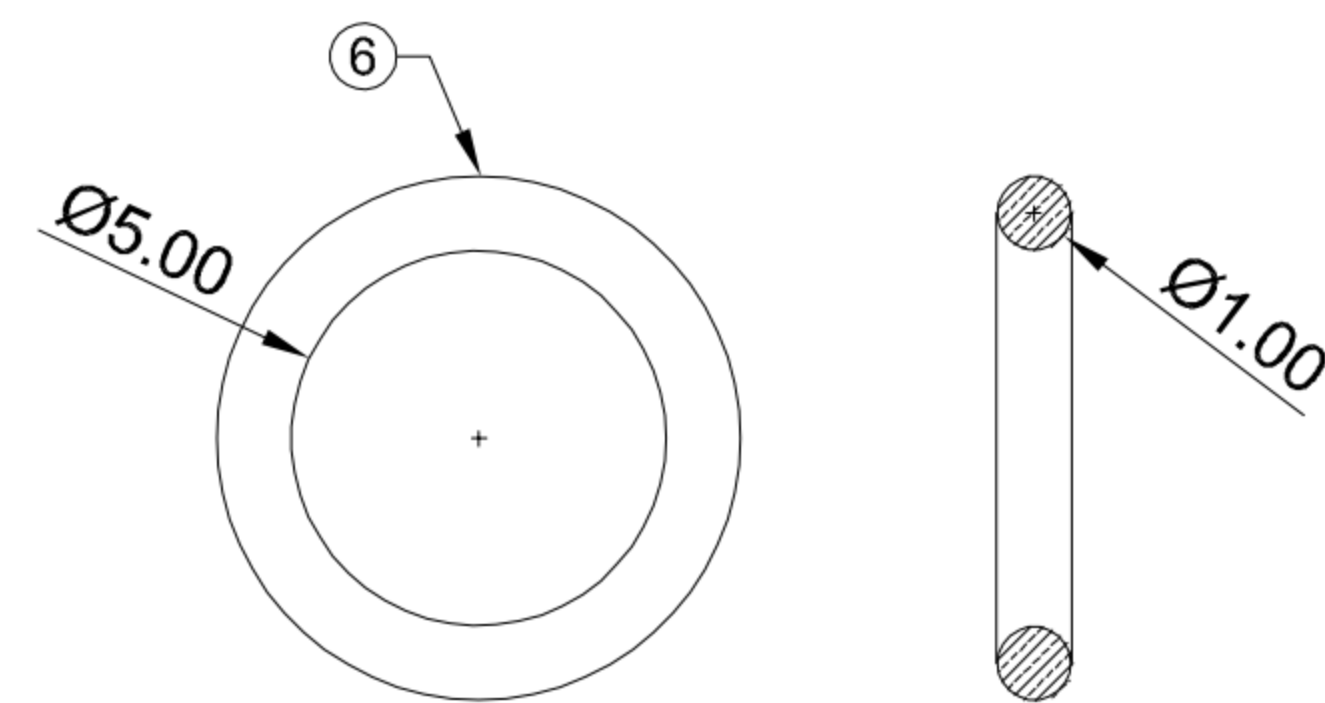
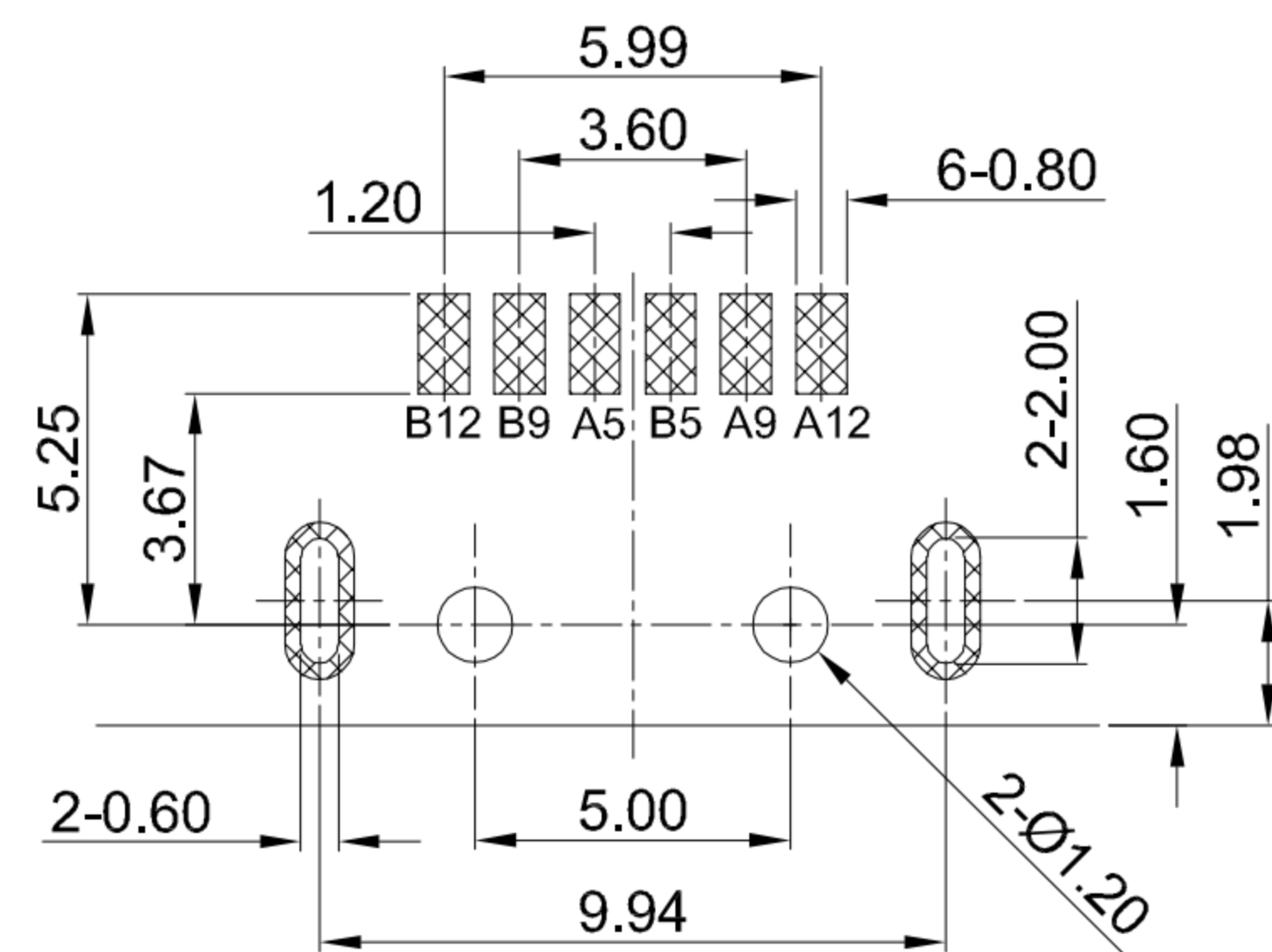
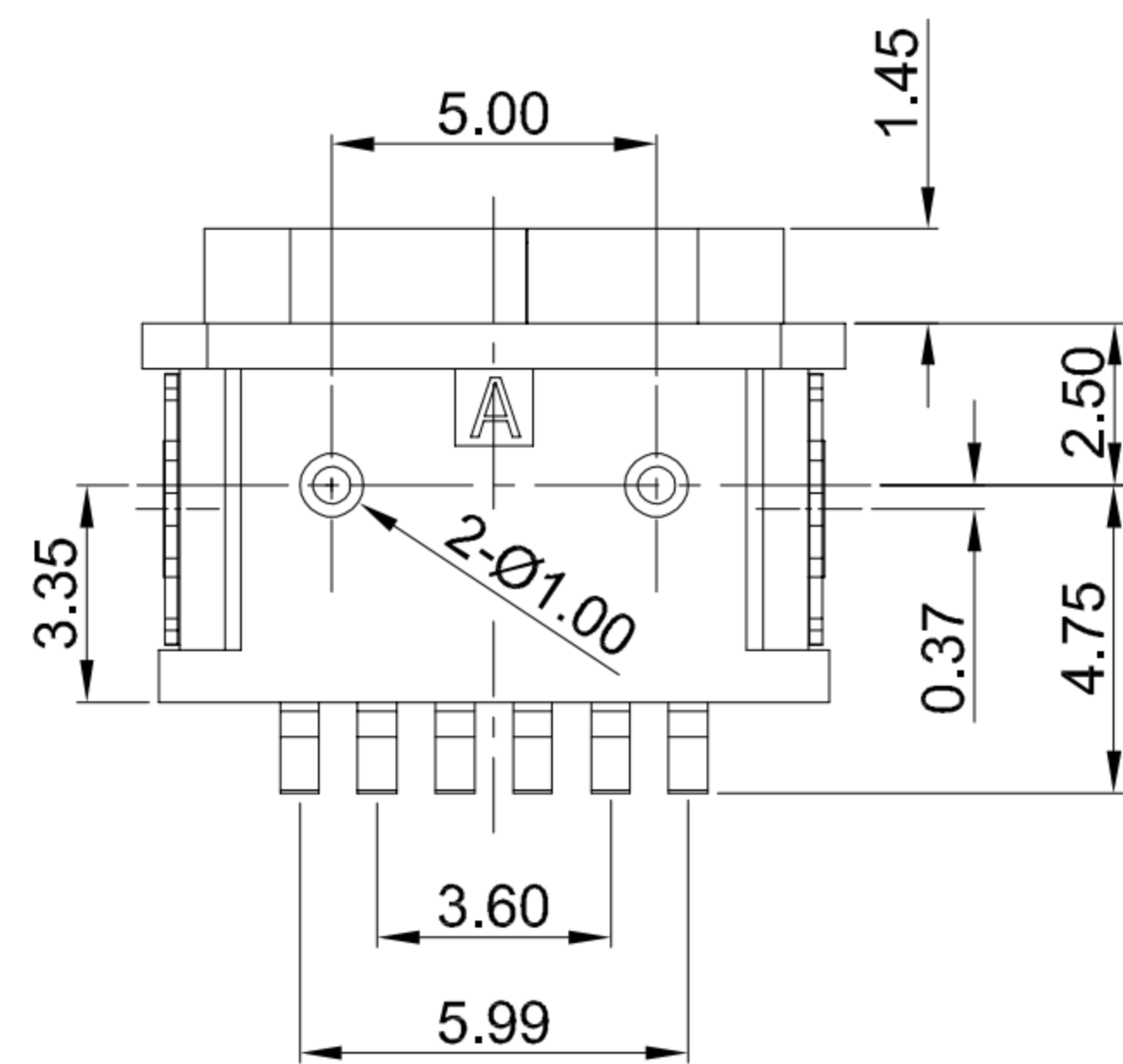


G-Switch USB-C Specification:

1. Current rated: 5A on vbus/1.25A on vconn/0.25A on other
2. Voltage rating: 24V AC
3. Withstanding voltage: 100V AC/minute
4. Contact resistance: 40mΩ Max
5. Insulation resistance: 100MΩ Min
6. Operating temperature: -40°C ~ +85°C
7. Mating force: 5N~20N
8. Unmating force: 8N~20N
9. Durability cycle: 10,000 cycles
9. Waterproof grade: IP-X8

2

3



Note: The waterproof ring is a circular cross-section with a diameter of 1.0mm Silicone ring, waterproof ring extrusion amount, from 1.0mm to 0.5mm~0.6mm, with good waterproof effect. There is also a square 1.5mm thick rubber ring to choose from

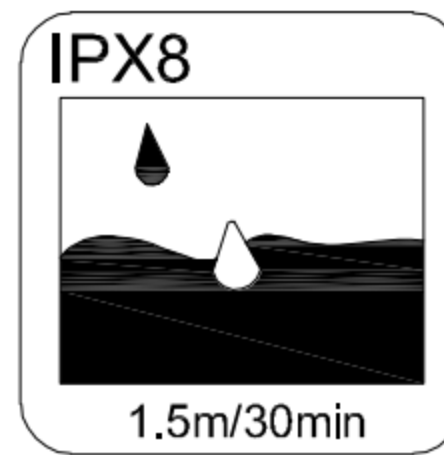
A1	A2	A3	A4	A5	A6	A7	A8	A9	A10	A11	A12
				CC1				VBUS			GND
				Second				First			First
B12	B11	B10	B9	B8	B7	B6	B5	B4	B3	B2	B1
GND			VBUS				CC2				
First			First				Second				

3

4

1	HOUSING1	HIGH TEMPERATURE PLASTIC	PA10T (G.F30%) UL 94 V-0
2	TERMINALS	COPPER ALLOY	Au PLATING ON CONTACT AREA
3	HOUSING2	HIGH TEMPERATURE PLASTIC	PA10T (G.F30%) UL 94 V-0
4	SHELL1	STAINLESS STEEL	Ni PLATED
5	SHELL2	STAINLESS STEEL	Ni PLATED
6	O-RING	SILICA GEL	BLACK
NO.	PARTS	MATERIAL	REMARKS

RECOMMENDED PCB LAYOUT TOLERANCE:±0.05



SCALE: 1:1 UNIT: mm
SIZE: A4

Unless otherwise General Tolerance:
X. ±0.25
X.x ±0.20
X.xx ±0.15
X.xxx ±0.10
X° ±5°

Title: Horizontal Type-c 6P Female SMT CH=2.26 L=7.3mm			
Molde Code: GT-USB-7040D			
DRAWN	CHECKED	APPROVED	DATE
Xia	Chen	Chen	2023.02.31



REV: A0 SHEET: 1/1

4

5

5