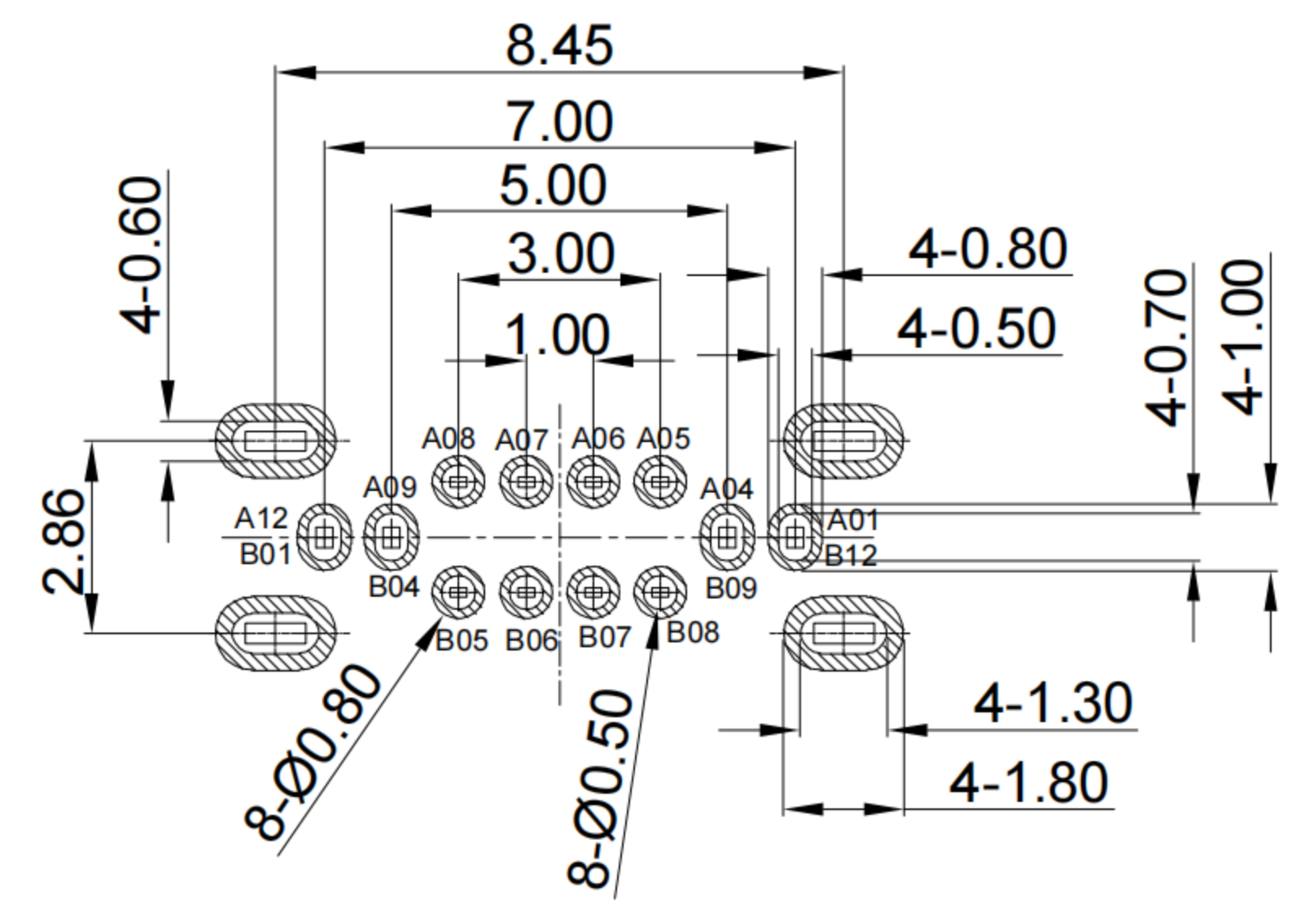
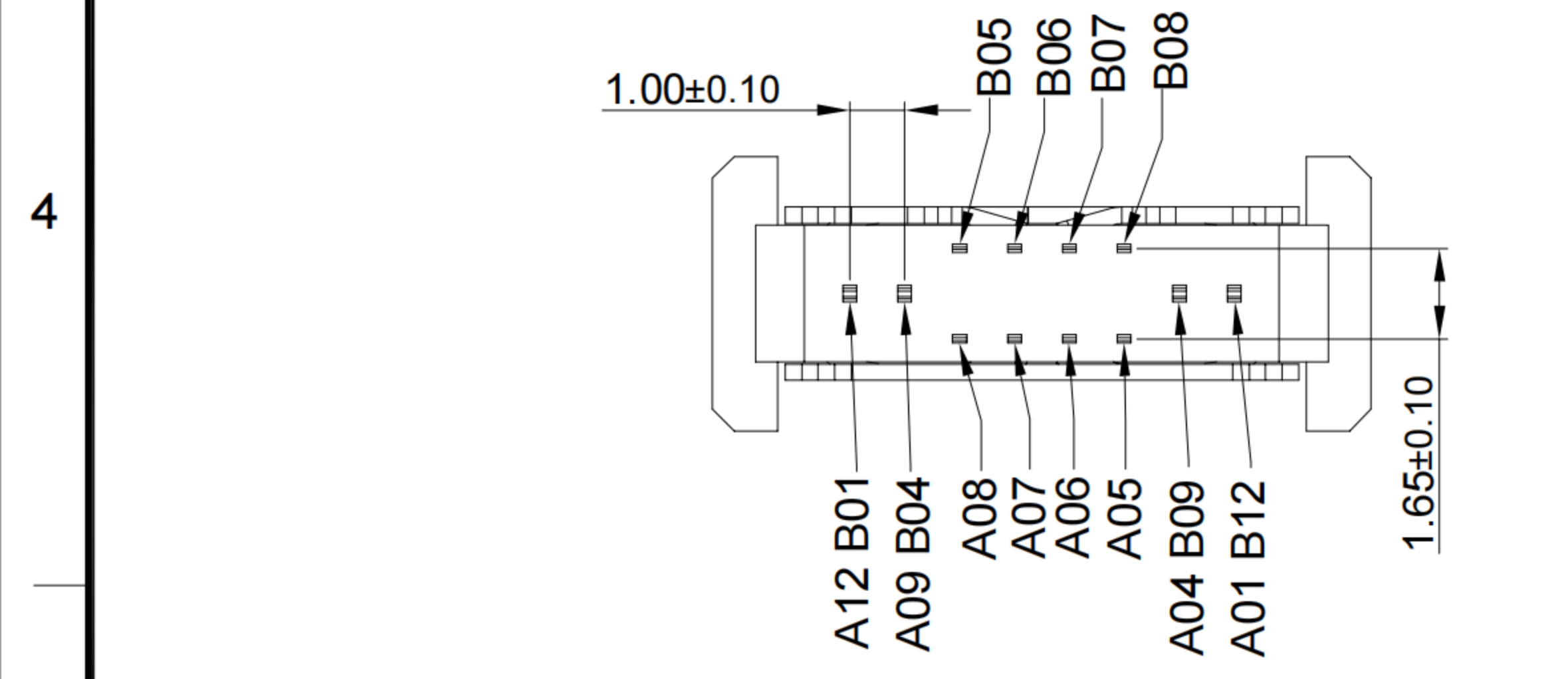


- G-Switch USB-C Specification:**
1. Current rated: 5A on vbus/1.25A on vconn/0.25A on other  
Voltage rating: 24V AC
  2. Withstanding voltage: 100V AC/minute
  3. Contact resistance: 40mΩ Max
  4. Insulation resistance: 100MΩ Min
  5. Operating temperature: -40°C ~ +85°C
  6. Mating force: 5N~20N
  7. Unmating force: 8N~20N
  8. Durability cycle: 10,000 cycles



A1	A2	A3	A4	A5	A6	A7	A8	A9	A10	A11	A12
GND			VBUS	CC1	D+	D-	SBU1	VBUS			GND
First			First	Second	Second	Second	Second	First			First
B12	B11	B10	B9	B8	B7	B6	B5	B4	B3	B2	B1
GND			VBUS	SBU2	D-	D+	CC2	VBUS			GND
First			First	Second	Second	Second	Second	First			First

RECOMMENDED PCB LAYOUT  
TOLERANCE: ±0.05

NO.	PARTS	MATERIAL	REMARKS
1	SHELL	STAINLESS STEEL	Ni PLATED
2	MID PLATE	STAINLESS STEEL	Ni PLATED
3	HOUSING	HIGH TEMPERATURE PLASTIC	BLACK UL 94 V-0
4	TERMINALS	COPPER ALLOY	Au PLATING ON CONTACT AREA



SCALE: 1:1  
UNIT: mm  
SIZE: A4

Title: Vertical Type-c 16P Female  
DIP H=12.4mm

Unless otherwise  
General Tolerance:  
X. ±0.25  
X.x ±0.20  
X.xx ±0.15  
X.xxx ±0.10  
X° ±5°

Molde Code: GT-USB-7038D

DRAWN	CHECKED	APPROVED	DATE
Xia	Chen	Chen	2023.02.01



REV: A0 SHEET: 1/1