

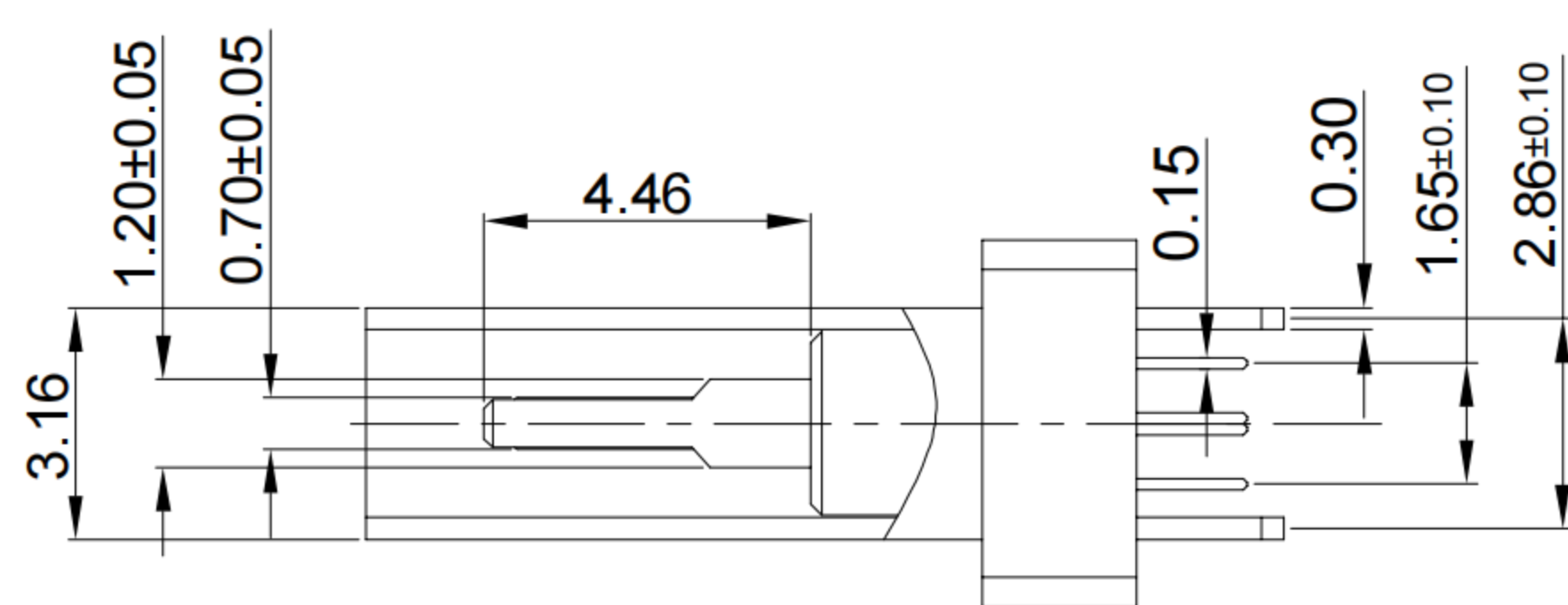
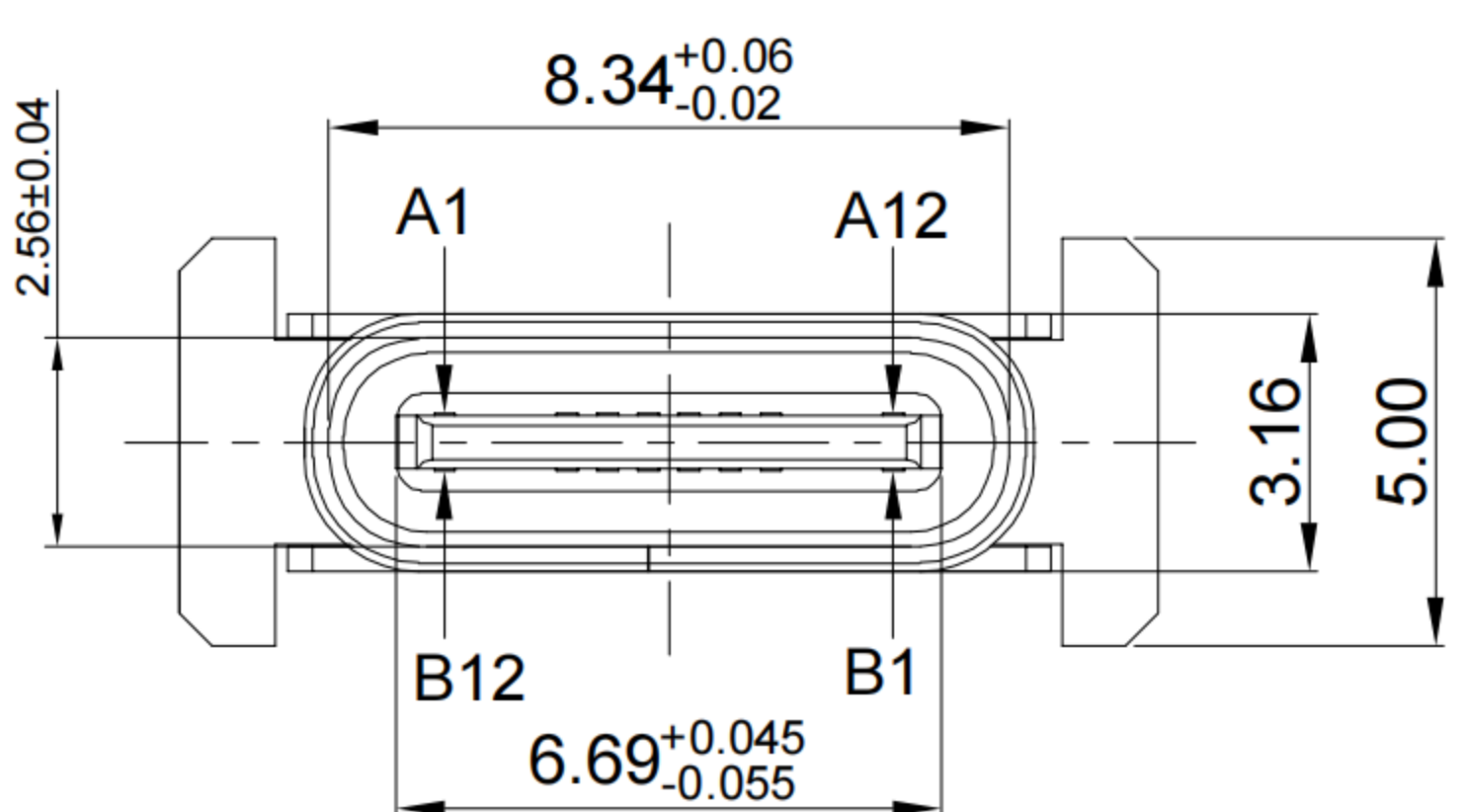
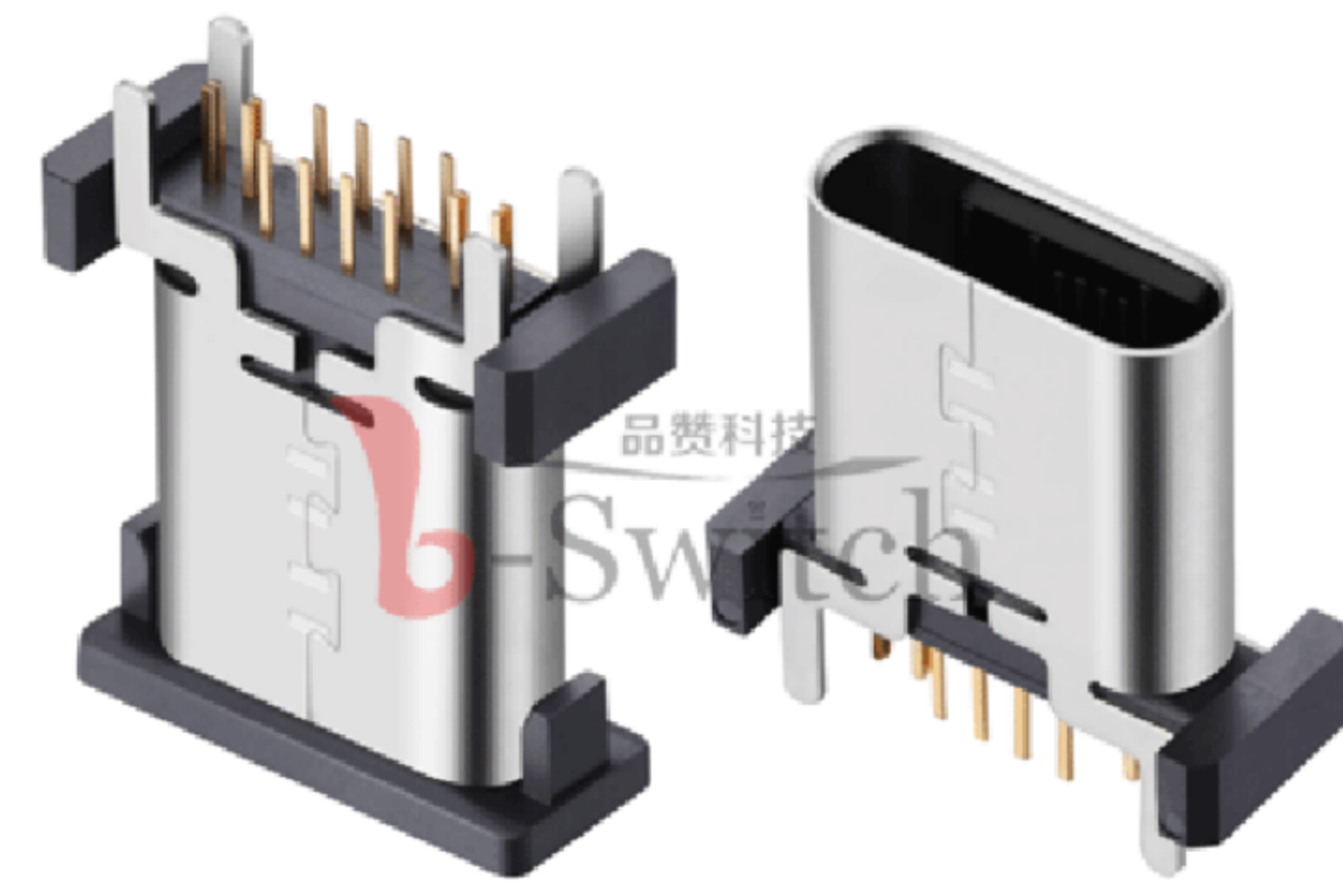
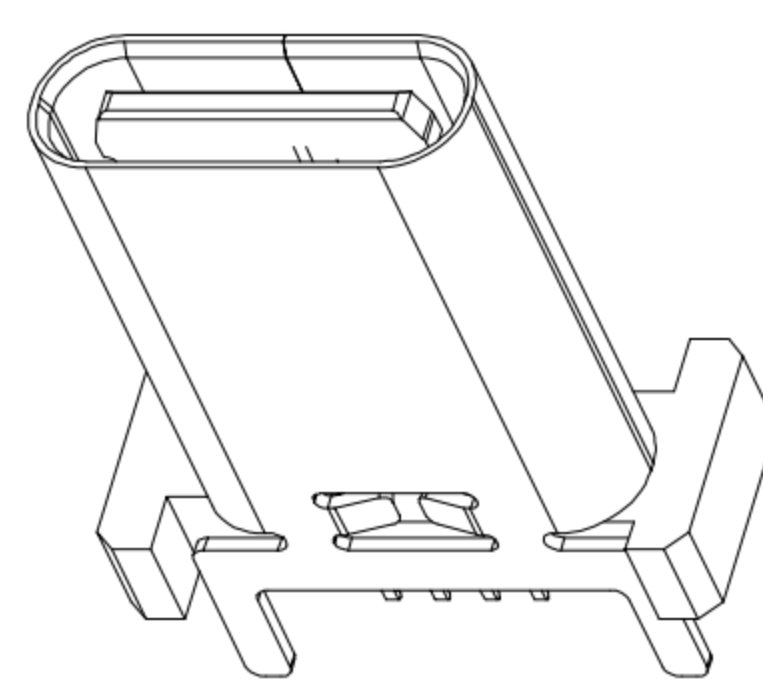
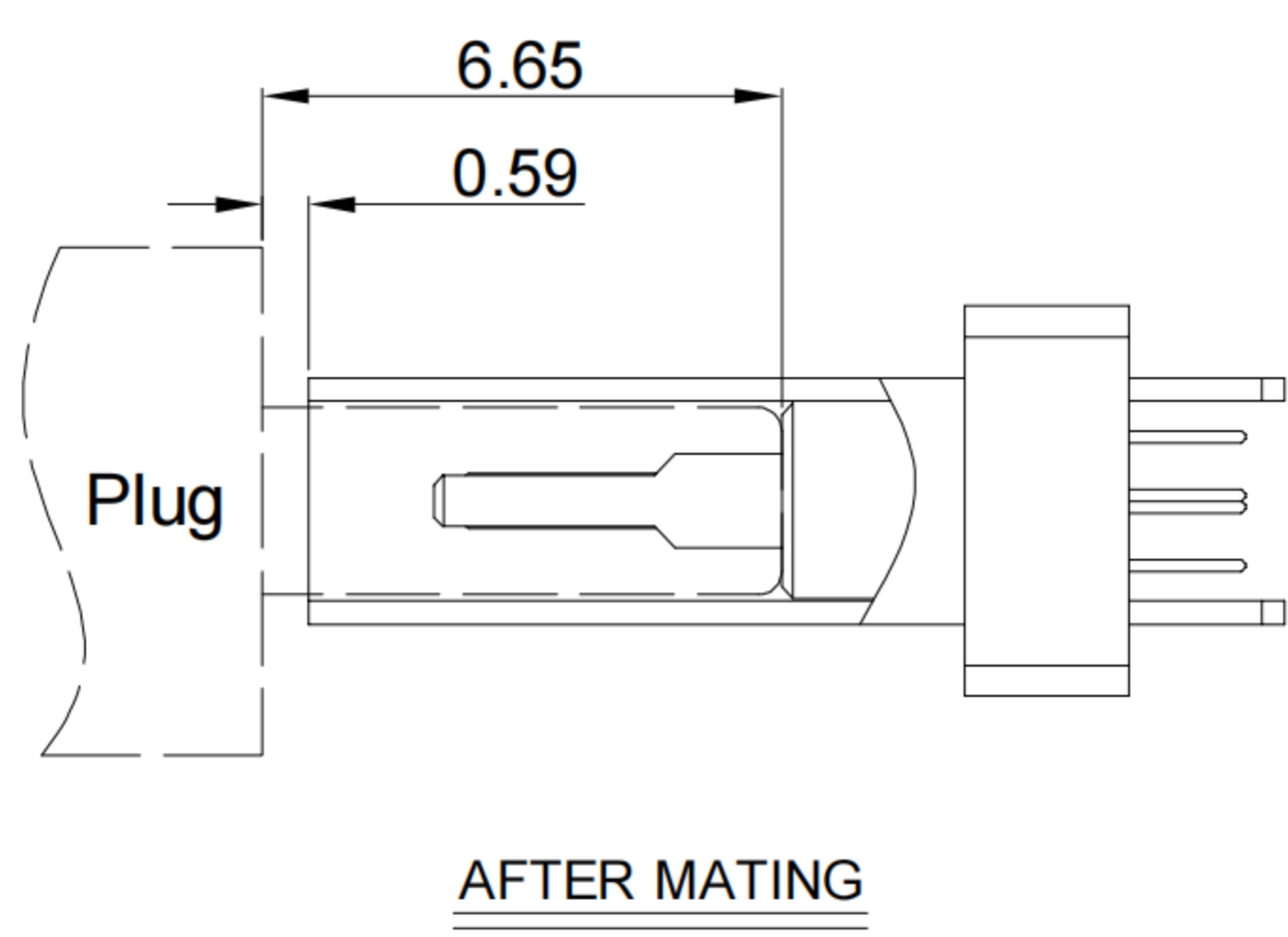
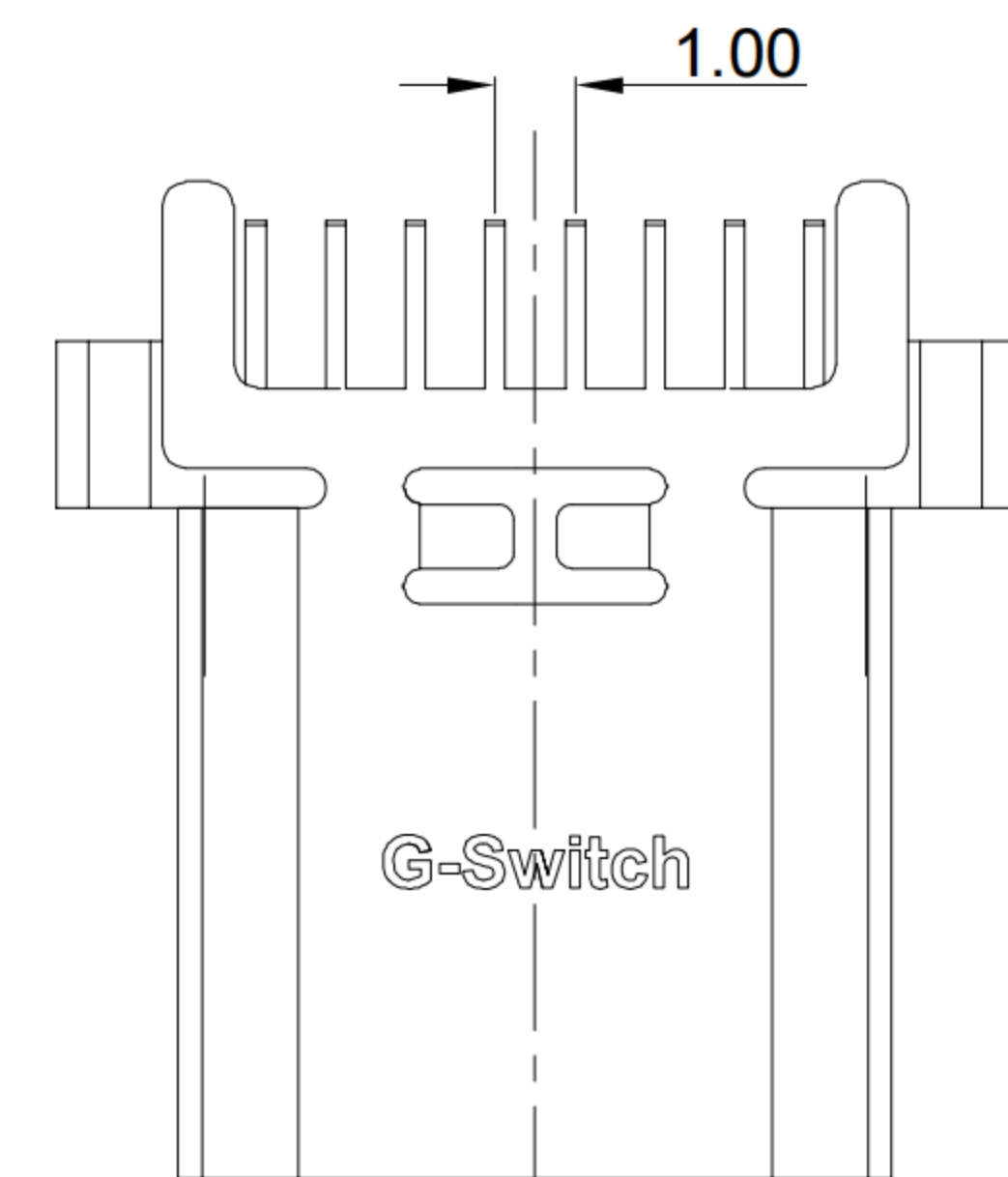
A

B

C

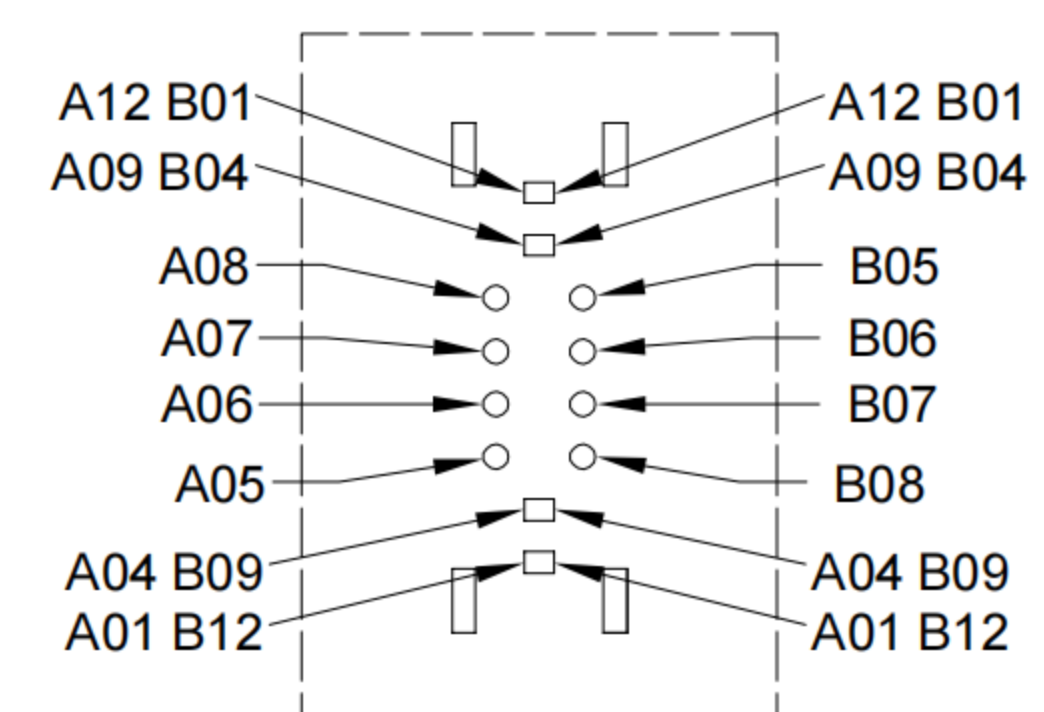
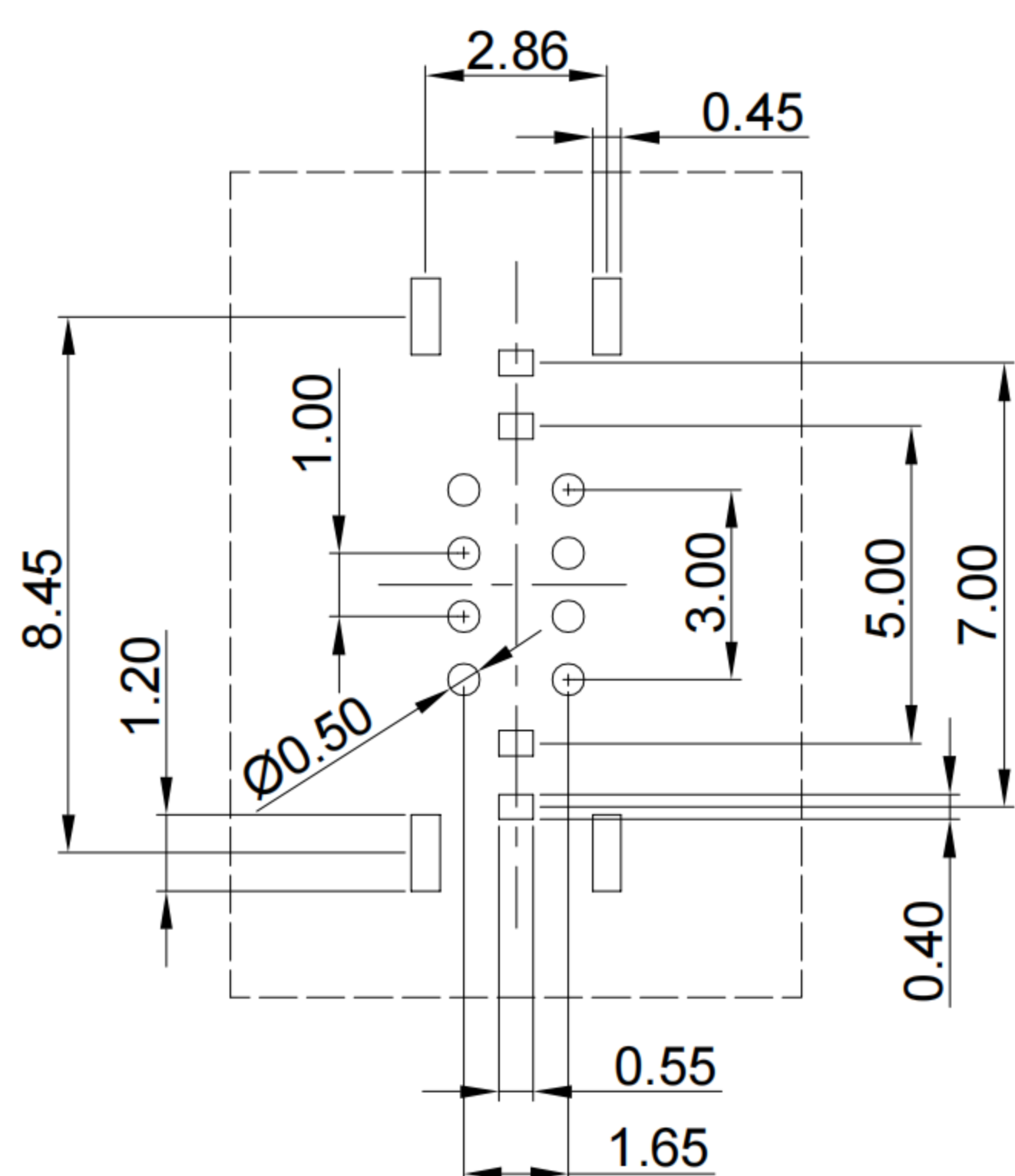
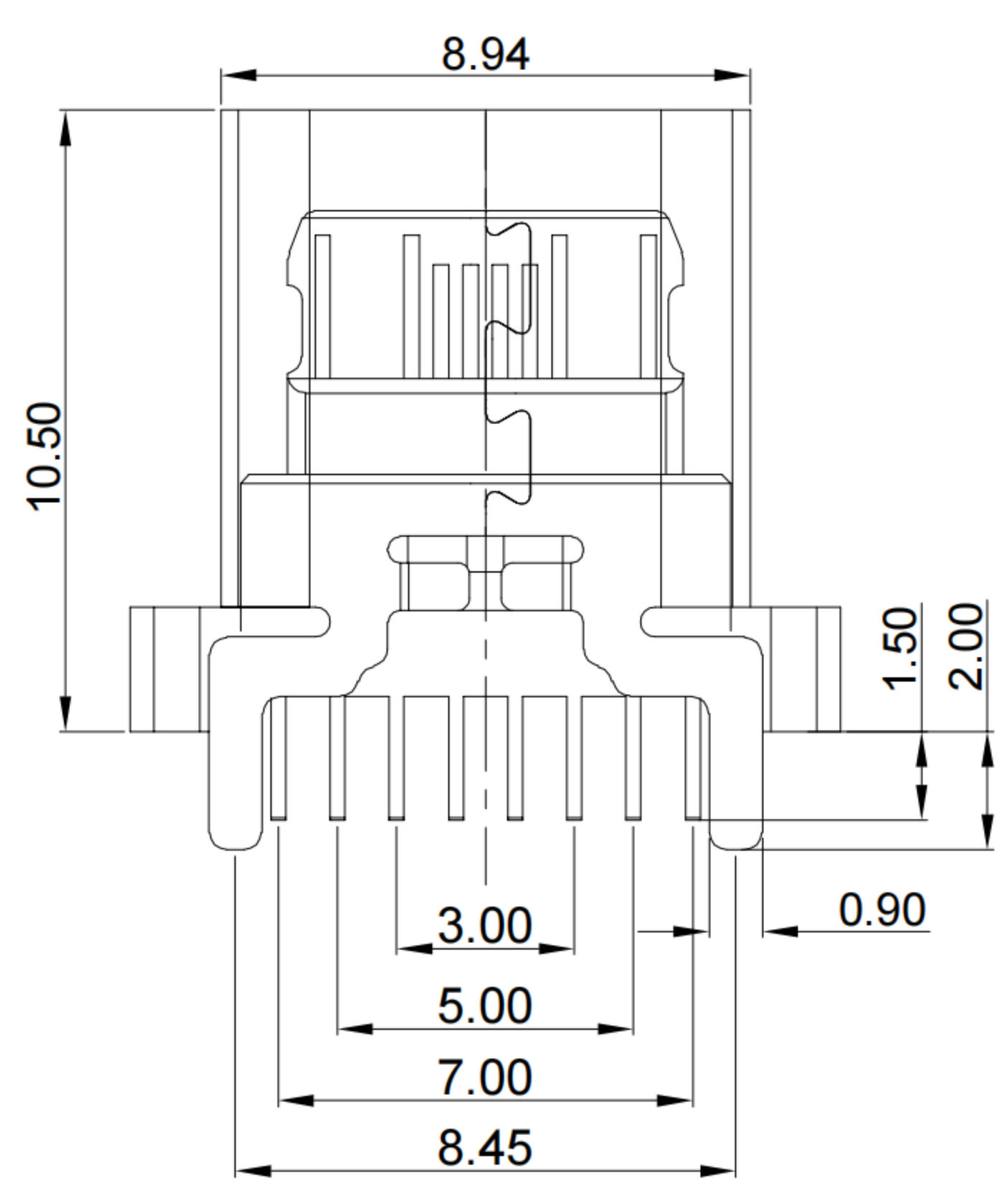
D

E



**G-Switch USB-C Specification:**

- 1.Current rated: 5A on vbus/1.25A on vconn/0.25A on other  
Voltage rating: 24V AC
- 2.Withstanding voltage: 100V AC/minute
- 3.Contact resistance: 40mΩ Max
- 4.Insulation resistance: 100MΩ Min
- 5.Operating temperature: -40°C ~ +85°C
- 6.Mating force: 5N~20N
- 7.Unmating force: 8N~20N
- 8.Durability cycle: 10,000 cycles



A1	A2	A3	A4	A5	A6	A7	A8	A9	A10	A11	A12
GND			VBUS	CC1	D+	D-	SBU1	VBUS			GND
First			First	Second	Second	Second	Second	First			First
B12	B11	B10	B9	B8	B7	B6	B5	B4	B3	B2	B1
GND			VBUS	SBU2	D-	D+	CC2	VBUS			GND
First			First	Second	Second	Second	Second	First			First

RECOMMENDED PCB LAYOUT  
TOLERANCE:±0.05

1	SHELL	STAINLESS STEEL	Ni PLATED
2	MID PLATE	STAINLESS STEEL	Ni PLATED
3	HOUSING	HIGH TEMPERATURE PLASTIC	BLACK UL 94 V-0
4	TERMINALS	COPPER ALLOY	Au PLATING ON CONTACT AREA
NO.	PARTS	MATERIAL	REMARKS



SCALE: 1:1	UNIT: mm	Title: Vertical Type-c 16P Female DIP H=10.5mm	
SIZE: A4		Molde Code: GT-USB-7038C	
Unless otherwise General Tolerance:		DRAWN	CHECKED
X.	±0.25	Xia	Chen
X.x	±0.20		
X.xx	±0.15		
X.xxx	±0.10		
X°	±5°		
		APPROVED	DATE
		Chen	2023.02.01



REV: A0 SHEET: 1/1