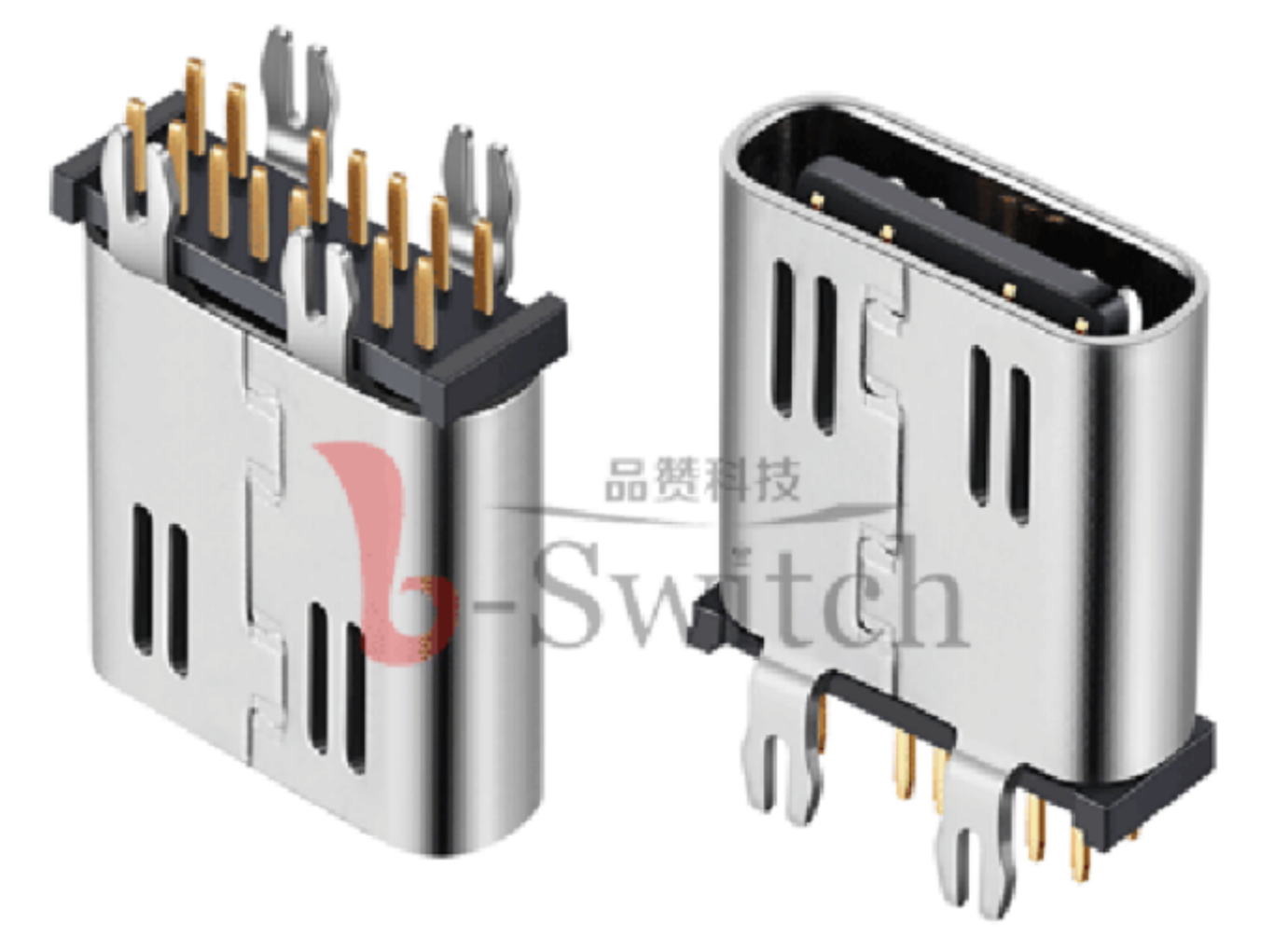
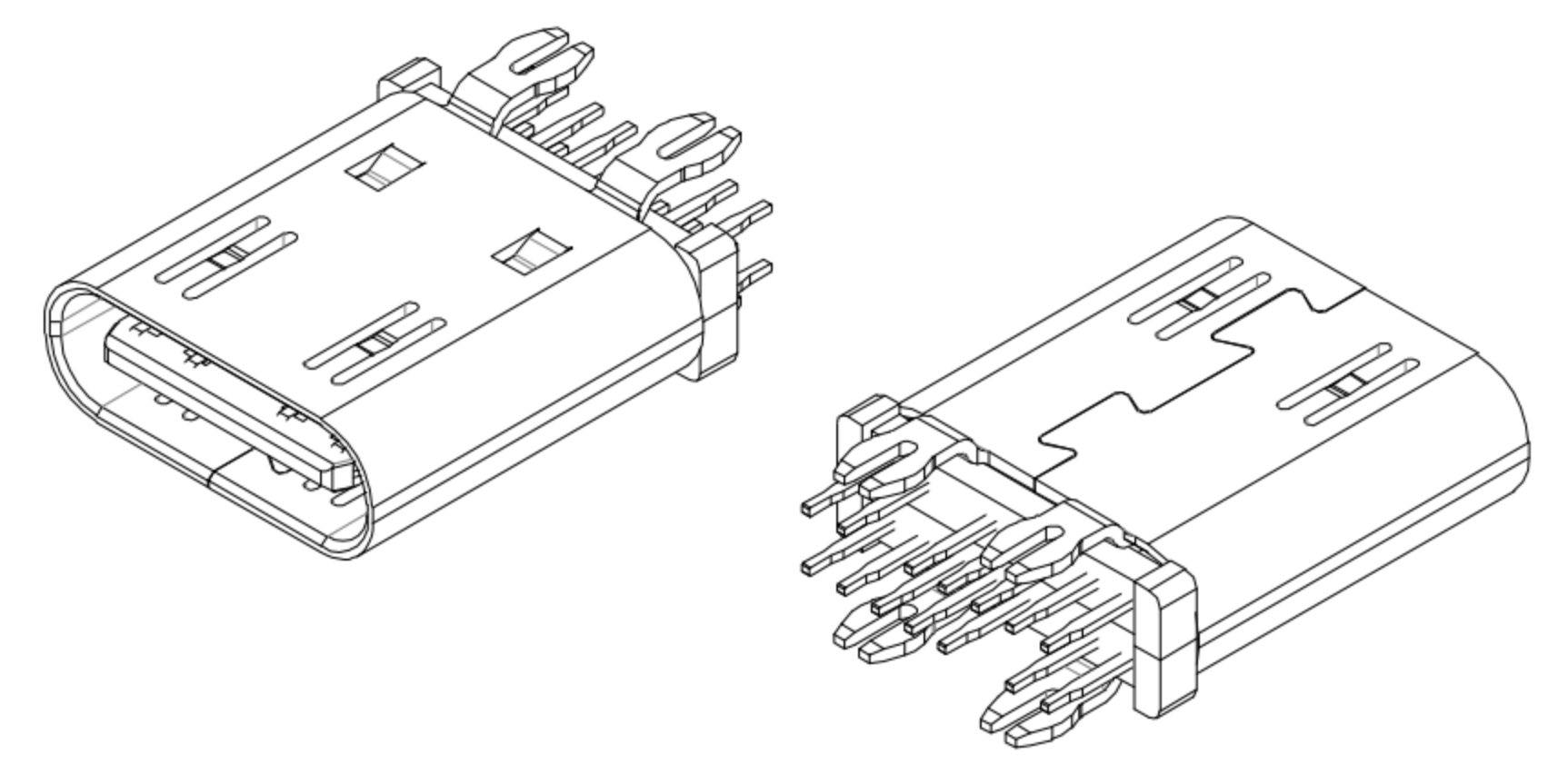
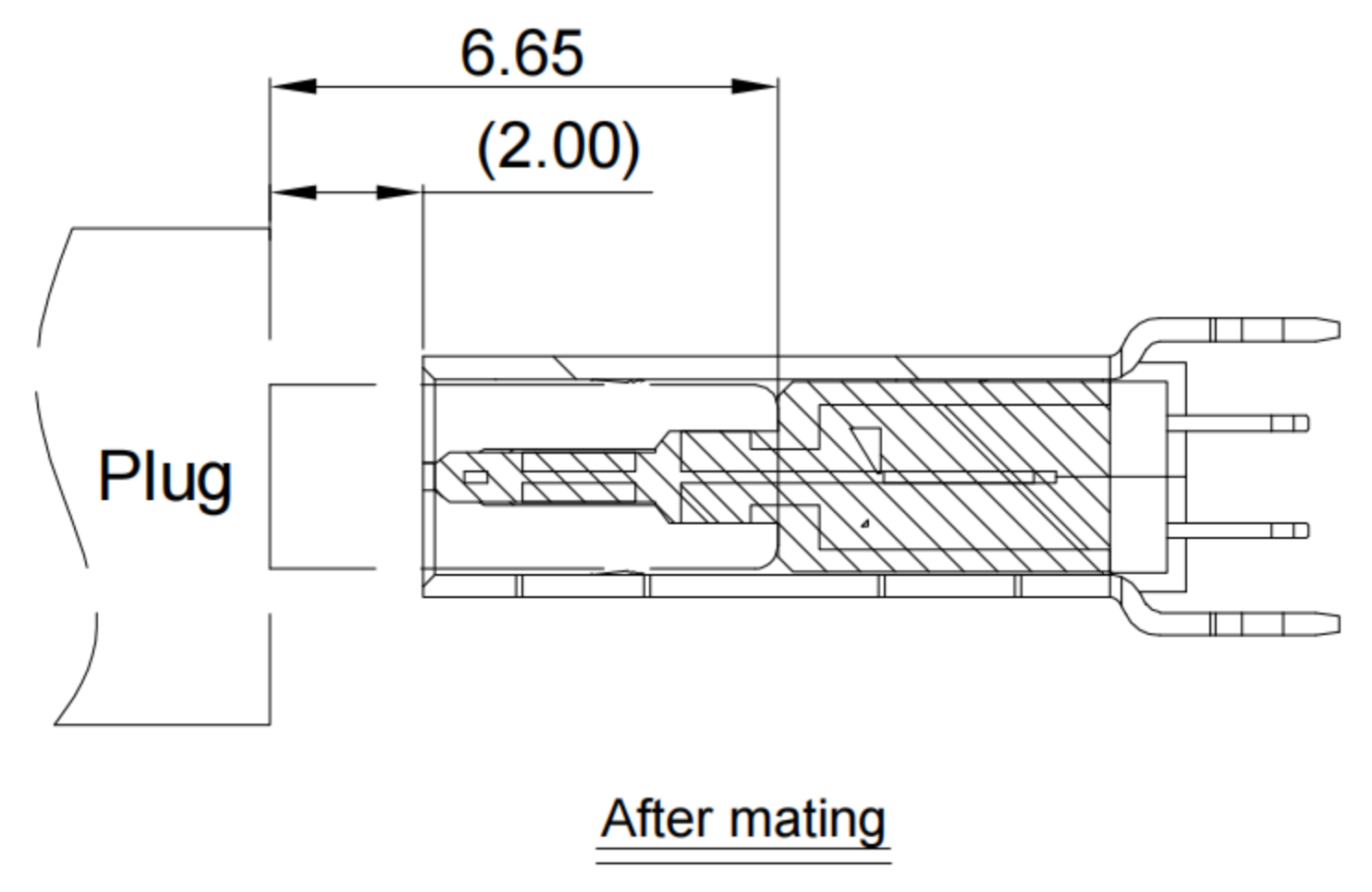
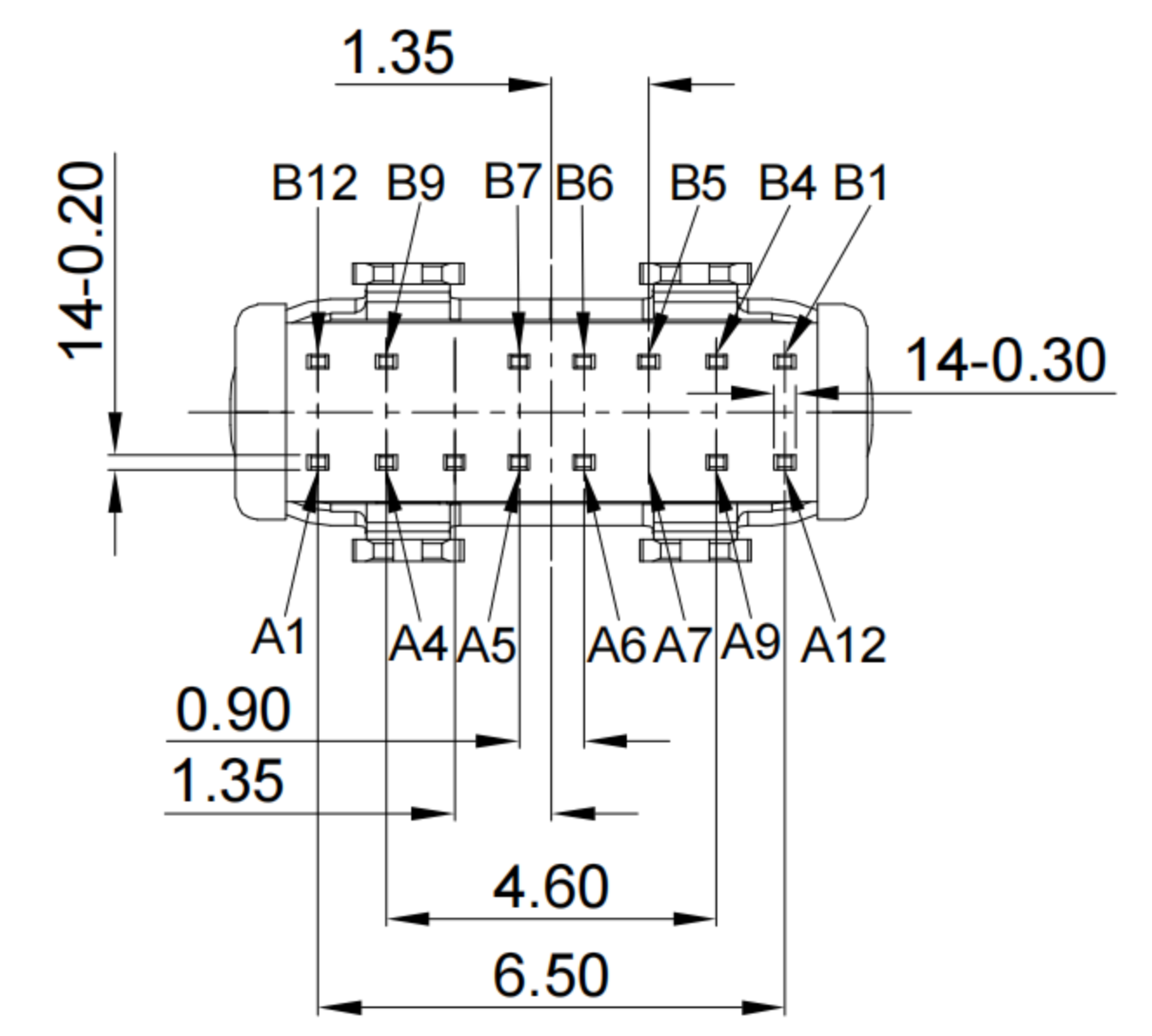
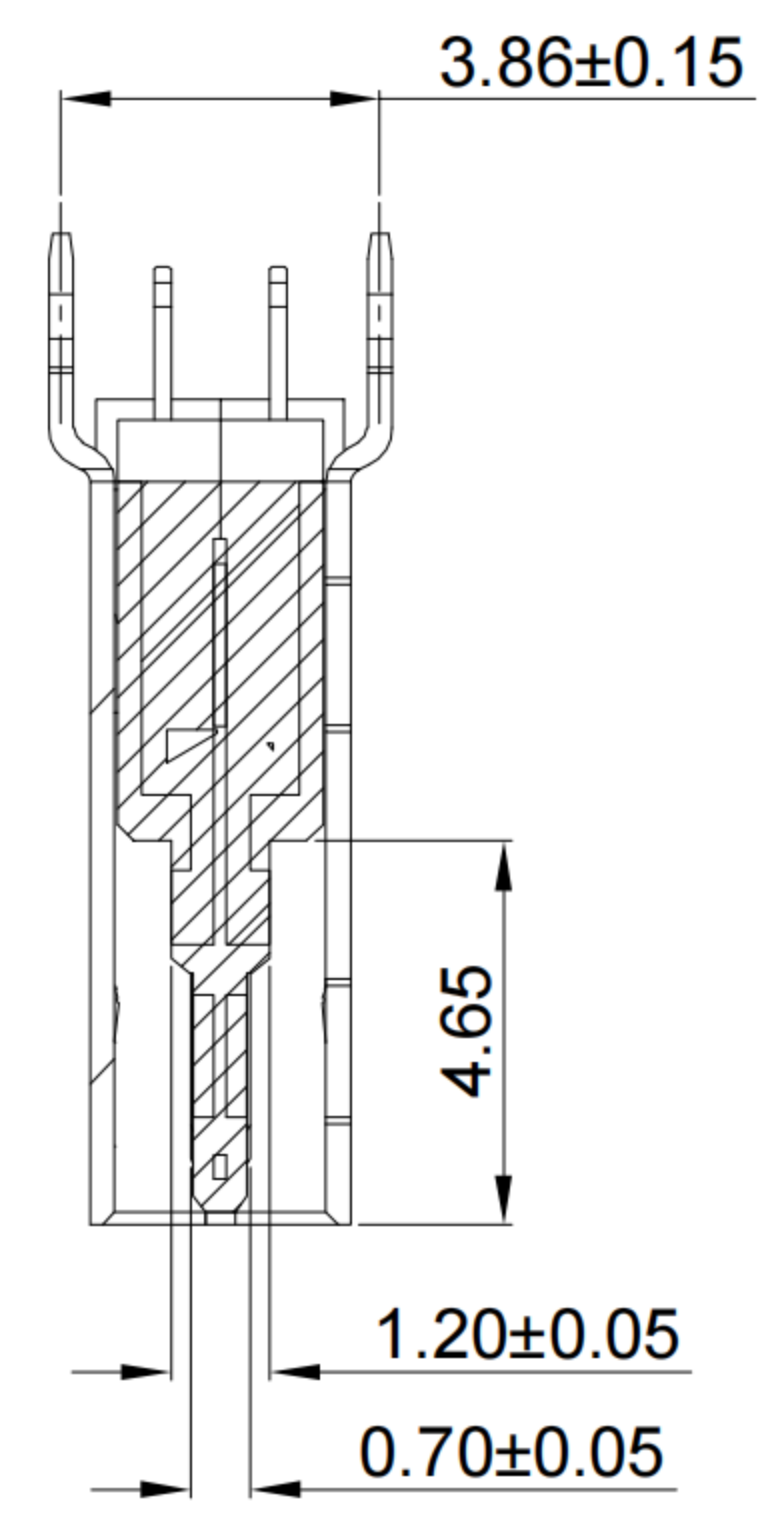
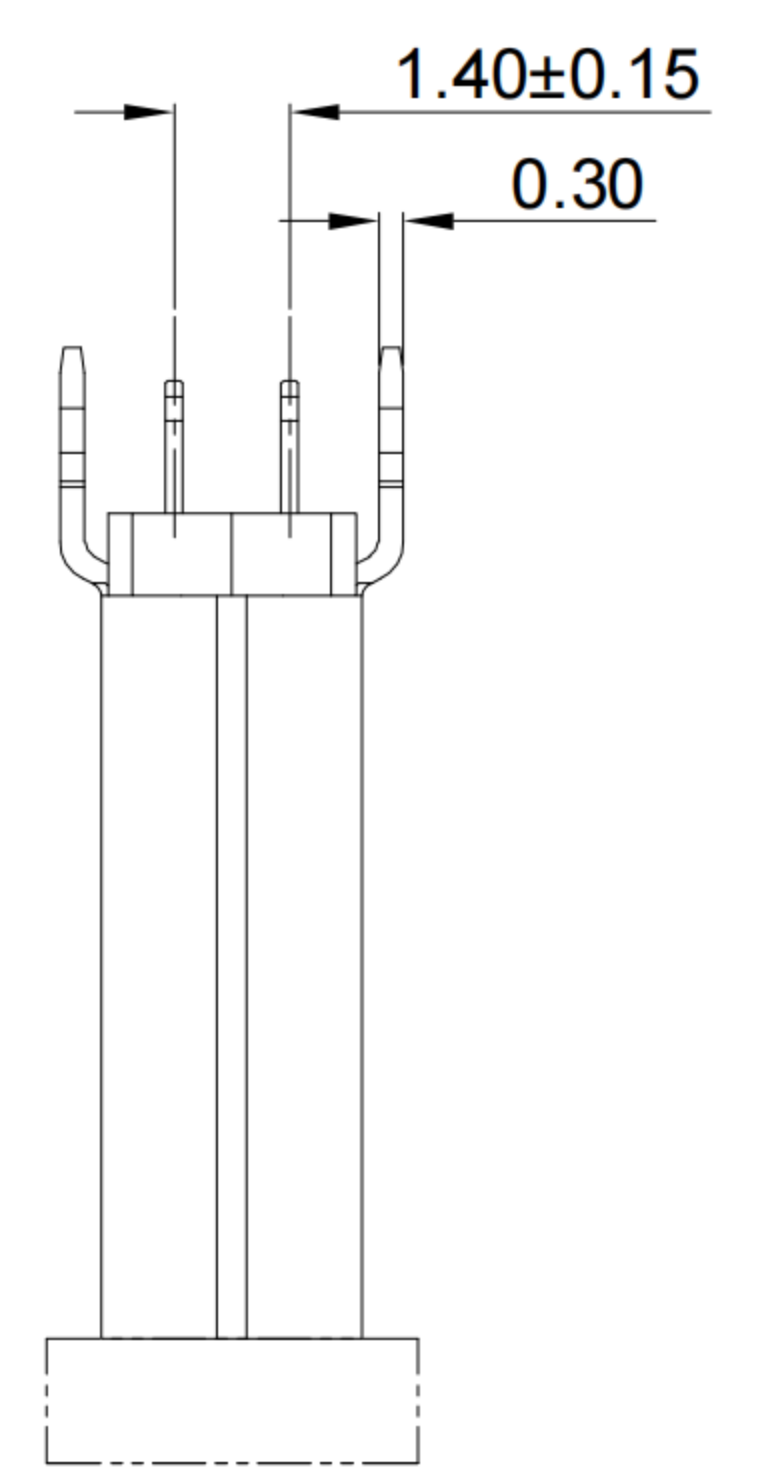
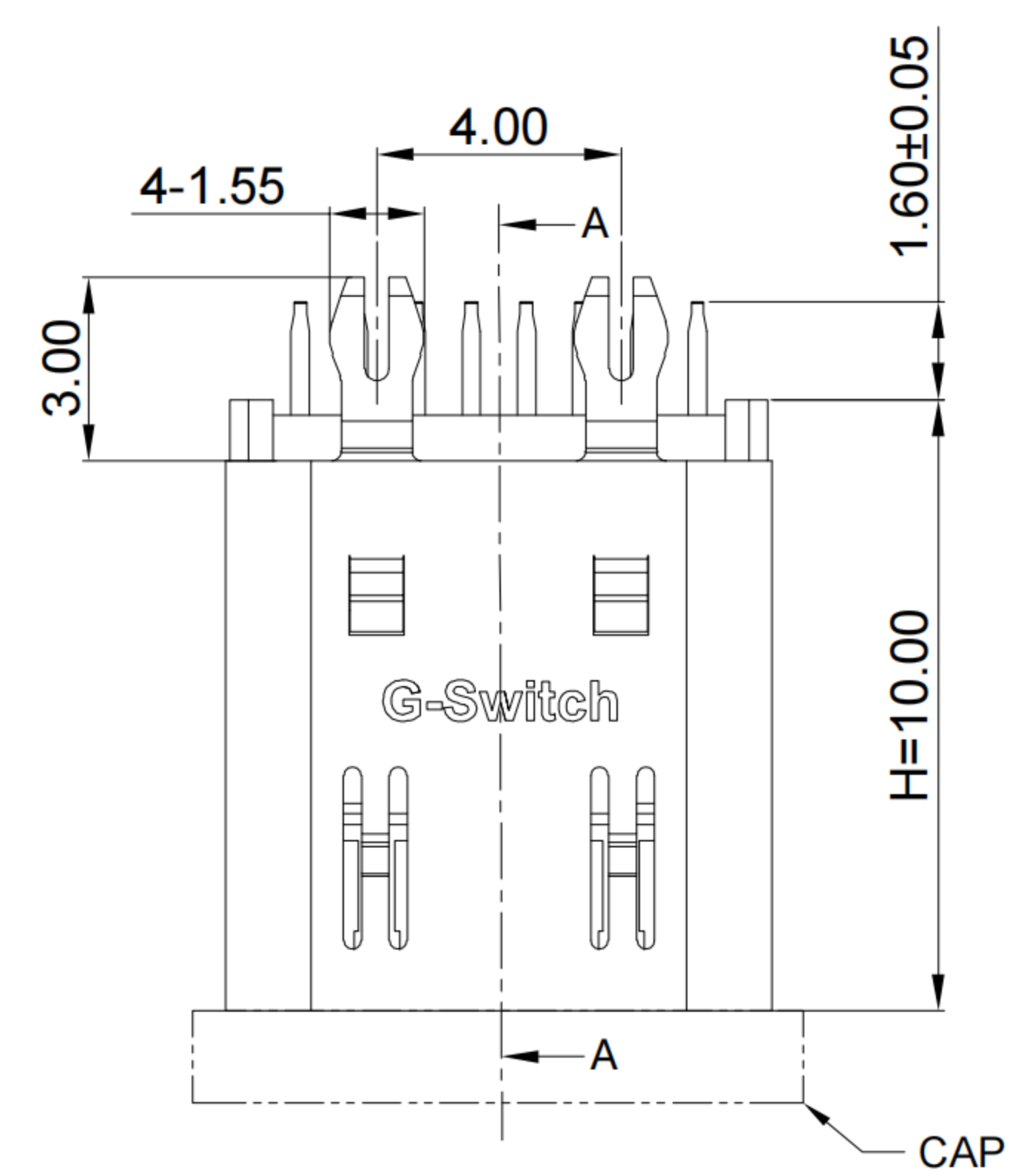


1

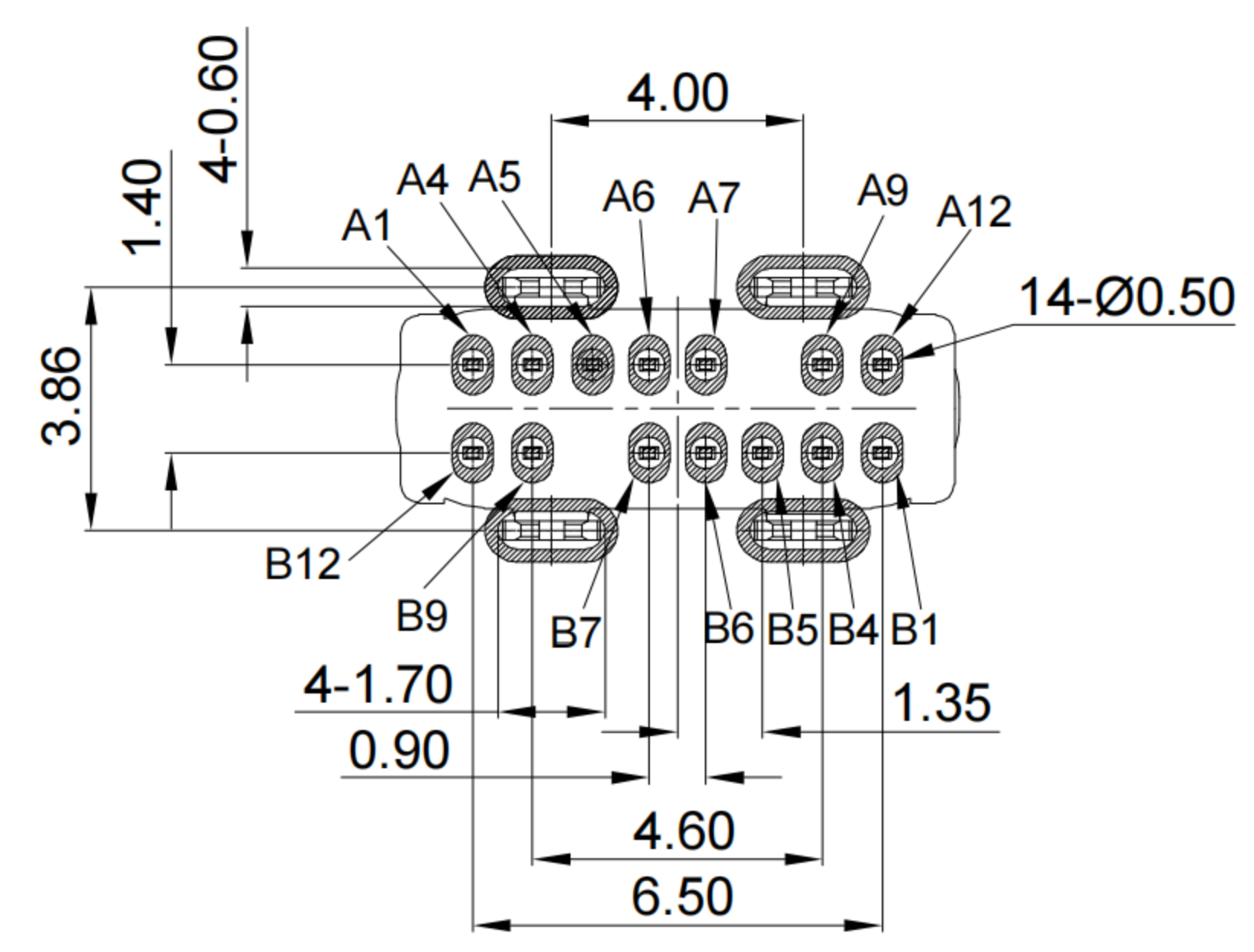
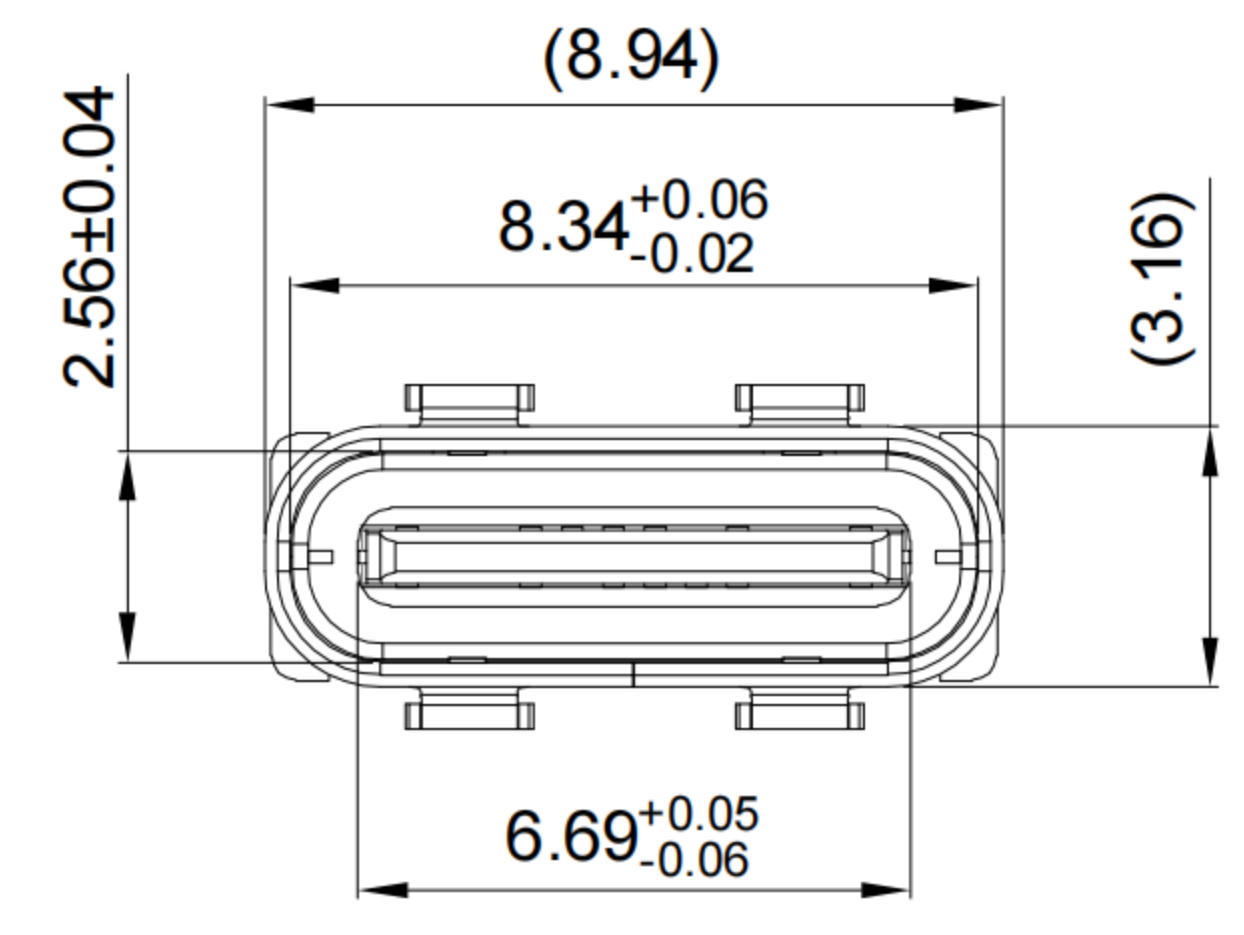


2



- G-Switch USB-C Specification:**
- Current rated: 5A on Vbus/1.25A on Vconn/0.25A on other
Voltage rating: 24V AC
 - Withstanding voltage: 100V AC/minute
 - Contact Resistance: 40mΩ Max
 - Insulation Resistance: 100MΩ Min
 - Operating temperature: -40 °C ~ +85 °C
 - Mating force: 5N~20N
 - Unmating force: 8N~20N
 - Durability Cycle: 10,000 Cycles

3



RECOMMENDED P.C.B. LAYOUT
TOLERANCE ±0.05mm

A1	A2	A3	A4	A5	A6	A7	A8	A9	A10	A11	A12
GND			VBUS	CC1	D+	D-		VBUS			GND
First			First	Second	Second	Second		First			First
B12	B11	B10	B9	B8	B7	B6	B5	B4	B3	B2	B1
GND			VBUS		D-	D+	CC2	VBUS			GND
First			First		Second	Second	Second	First			First

4

1	SHELL	STAINLESS STEEL	Ni PLATED
2	MIDDLE PLATE	STAINLESS STEEL	-
3	HOUSING	HIGH TEMPERATURE PLASTIC	Black UL 94 V-0
4	TERMINALS	COPPER ALLOY	Au PLATING ON CONTACT AREA
NO.	PARTS	MATERIAL	REMARKS



SCALE: 3:1	UNIT: mm	Title: Vertical Type-c 14P Female DIP H=10.0mm	
SIZE: A4		Molde Code: GT-USB-7035C	
Unless otherwise General Tolerance:		DRAWN	CHECKED
X.	±0.25	Xia	Chen
X.x	±0.20		
X.xx	±0.15		
X.xxx	±0.10		
X°	±5°	APPROVED	DATE
		Chen	2023.02.01



REV: A0 SHEET: 1/1

5