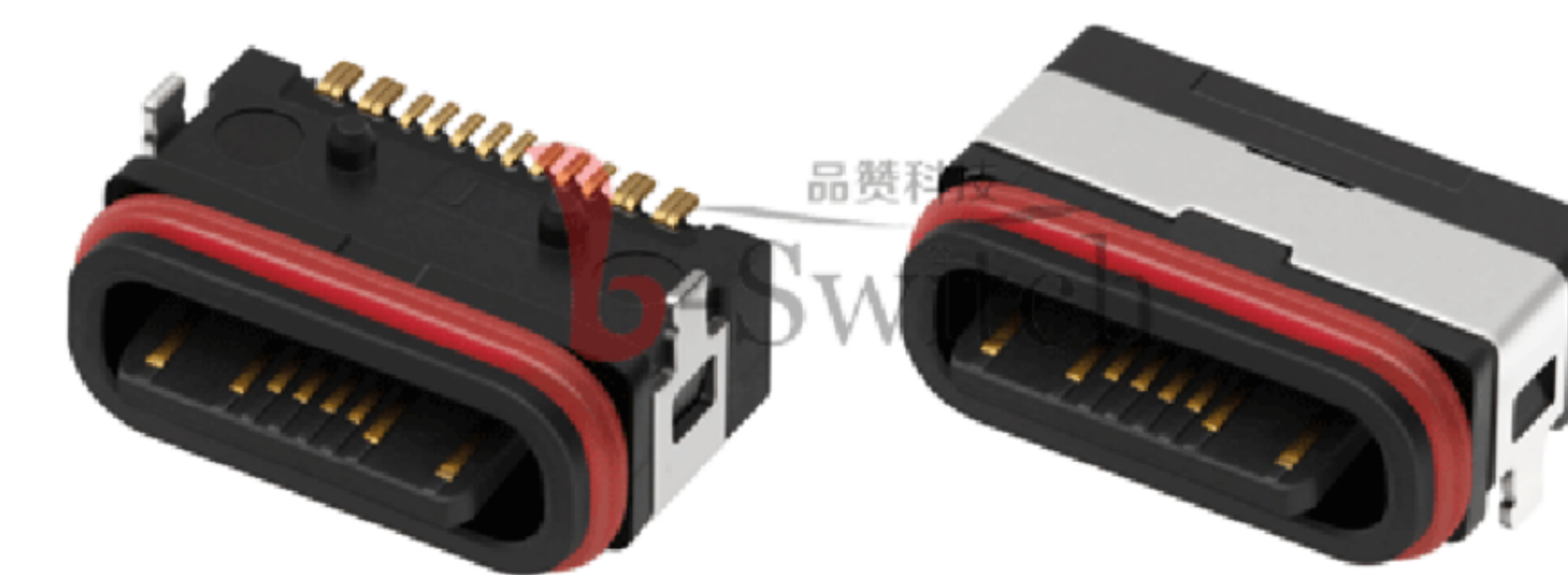
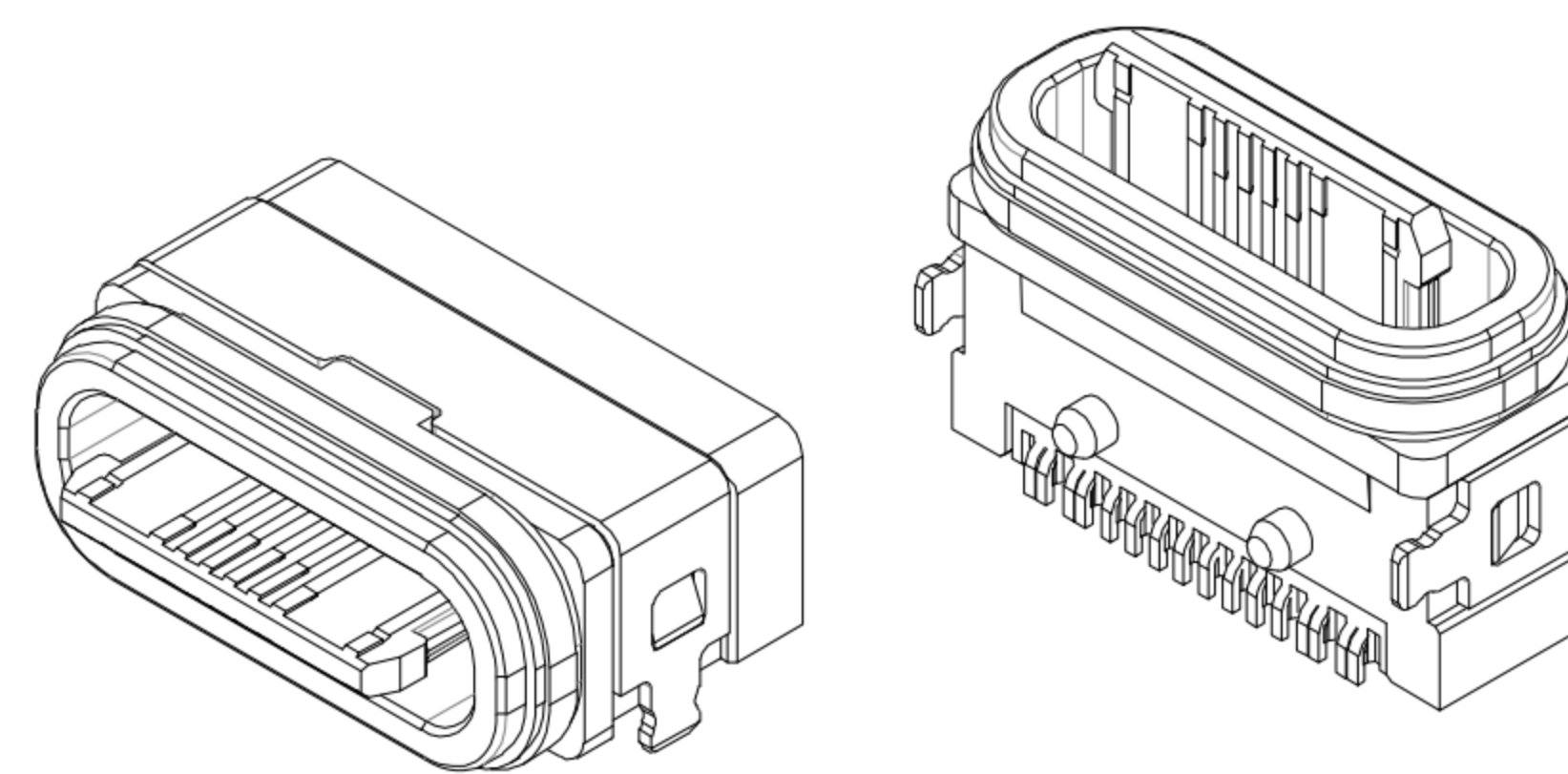


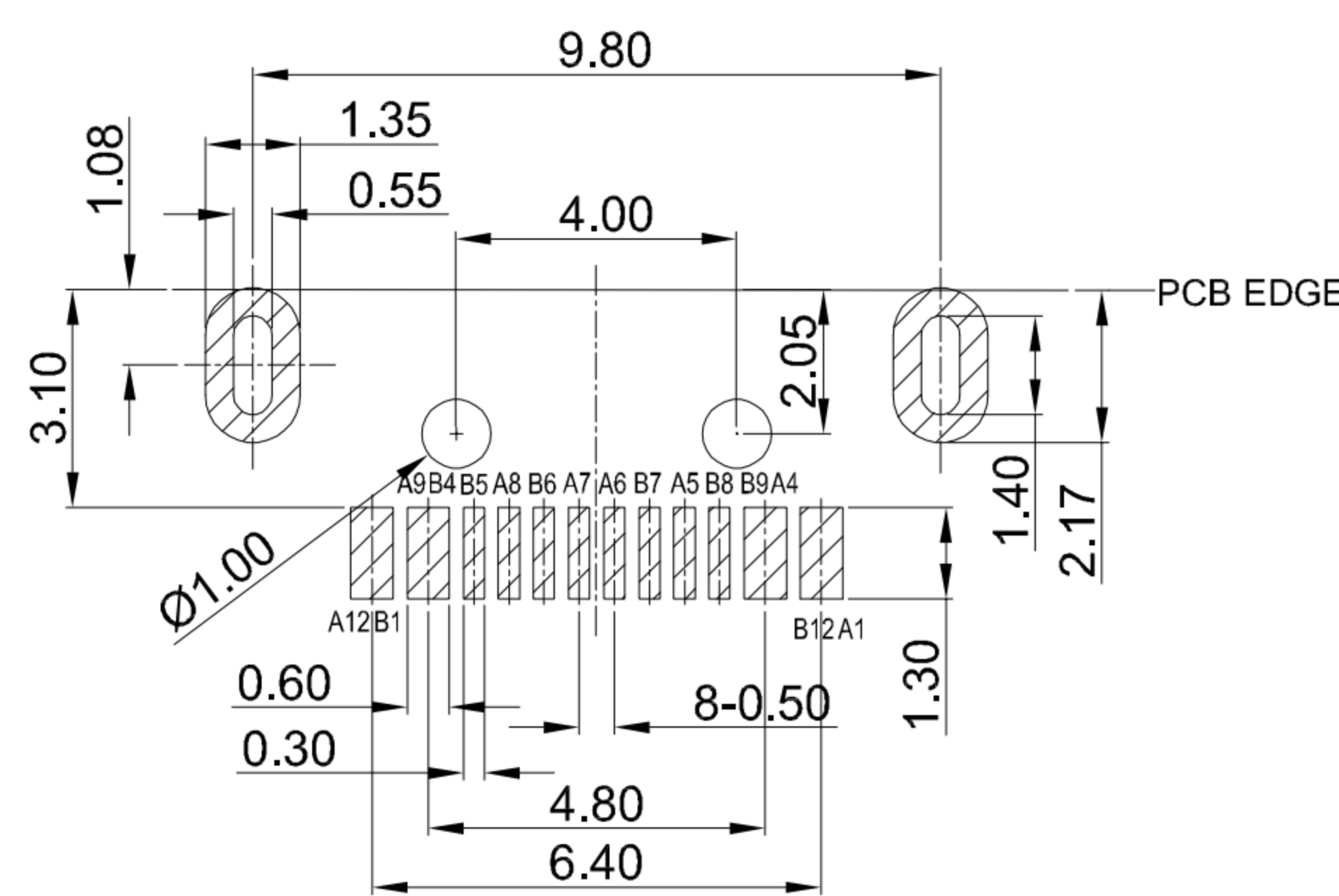
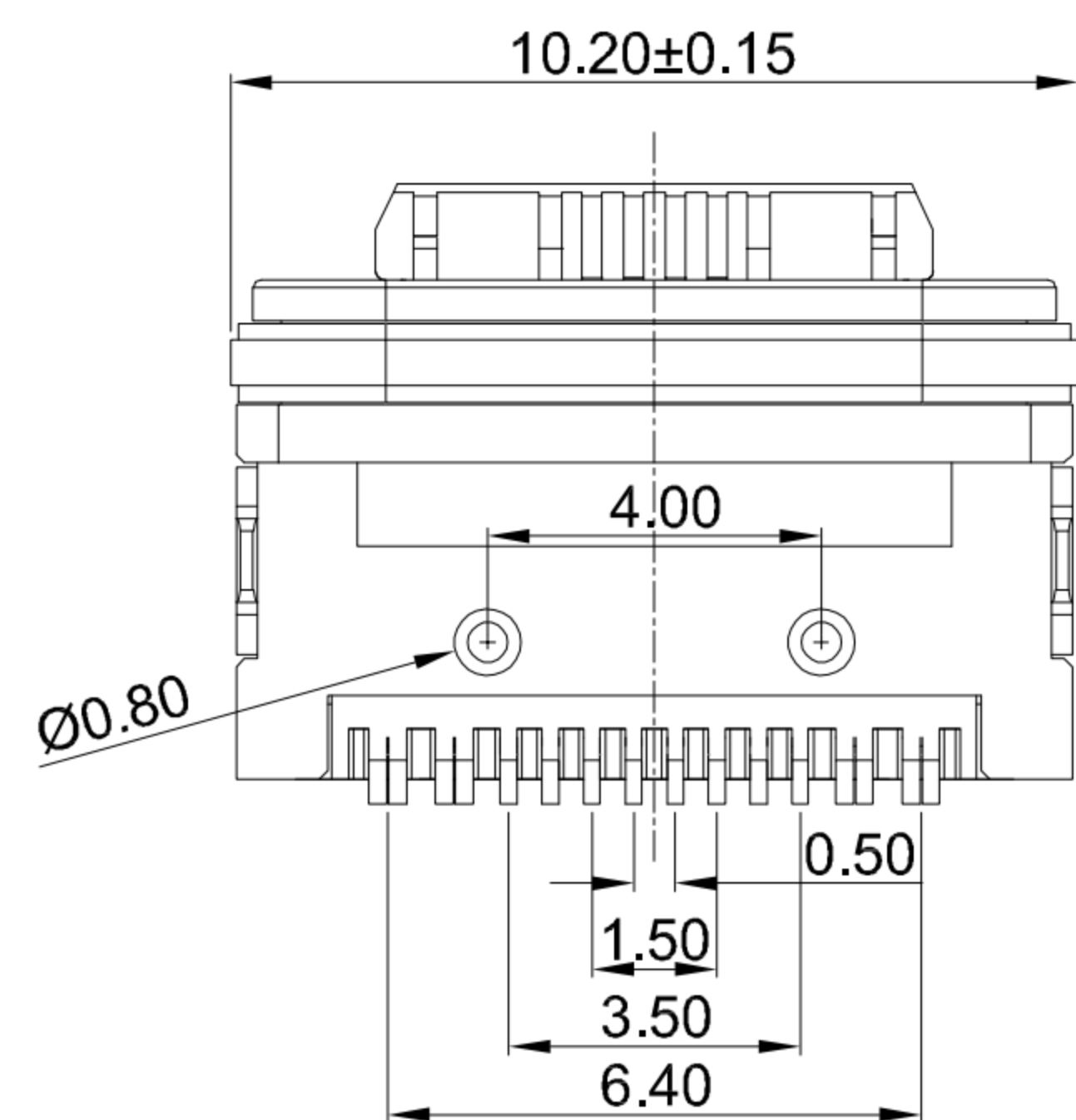
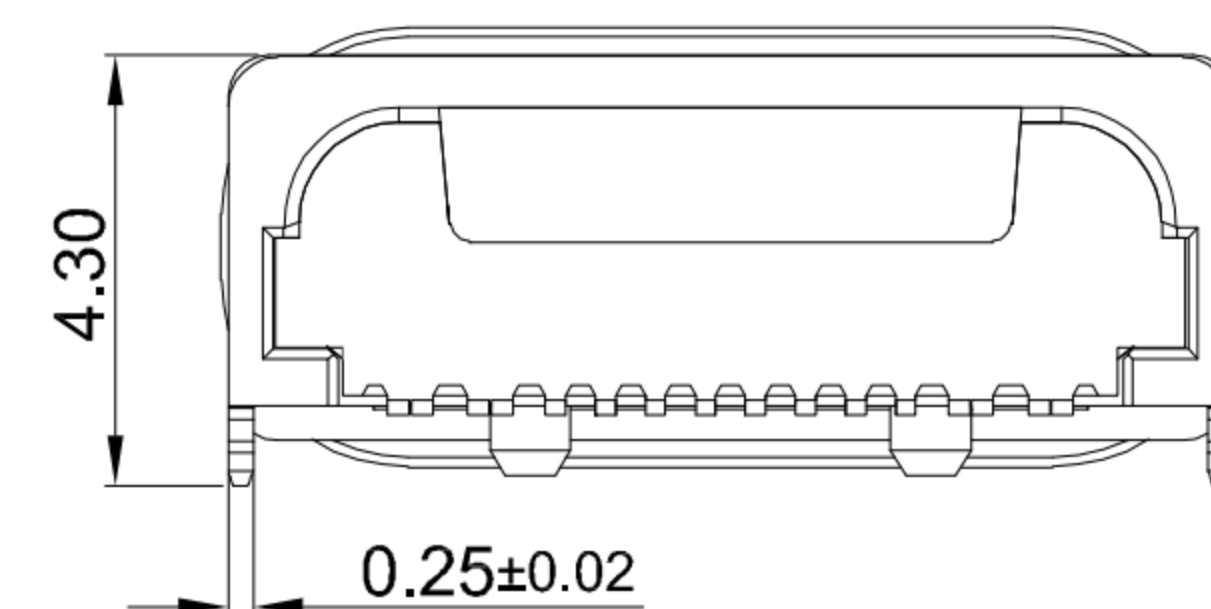
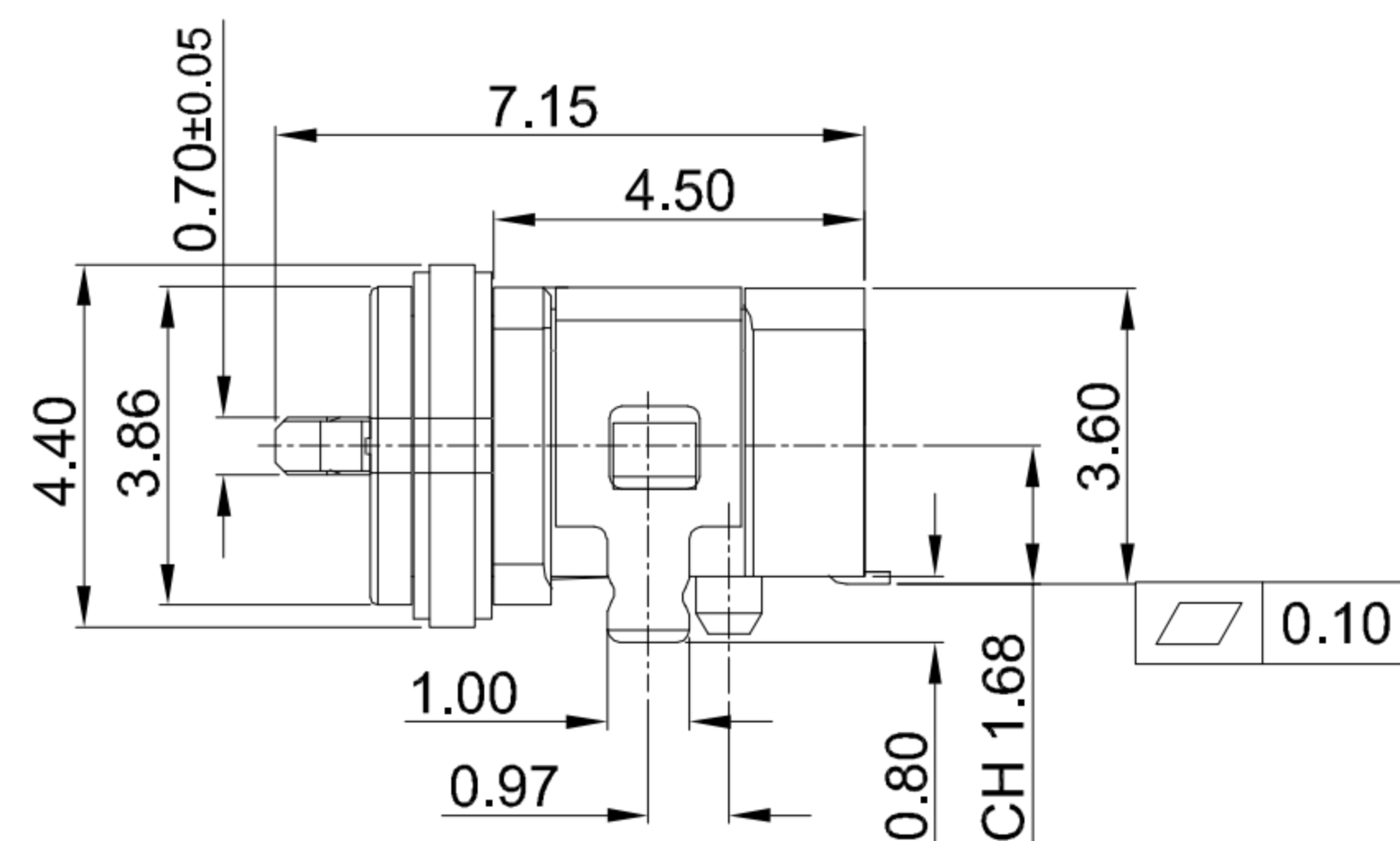
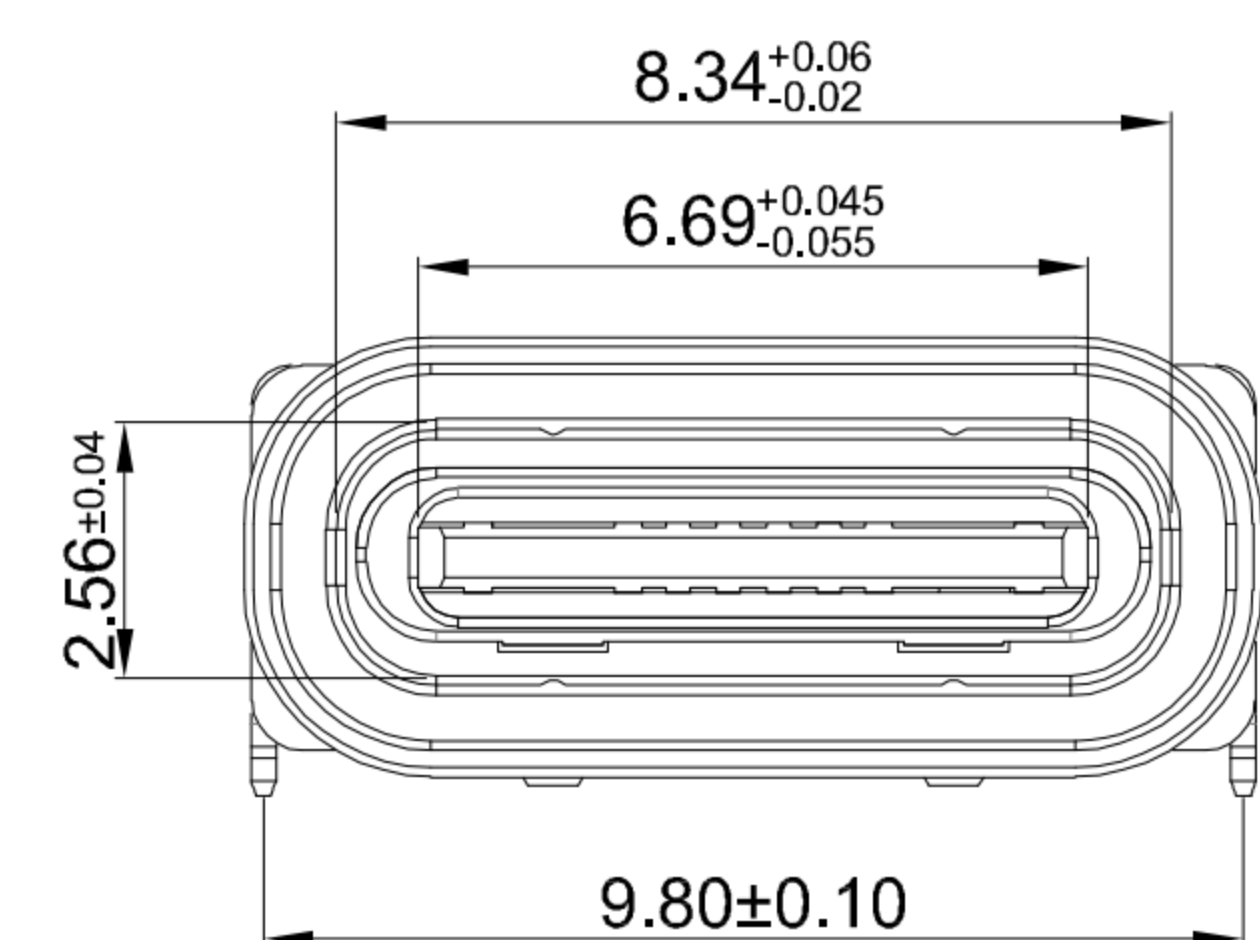
After mating



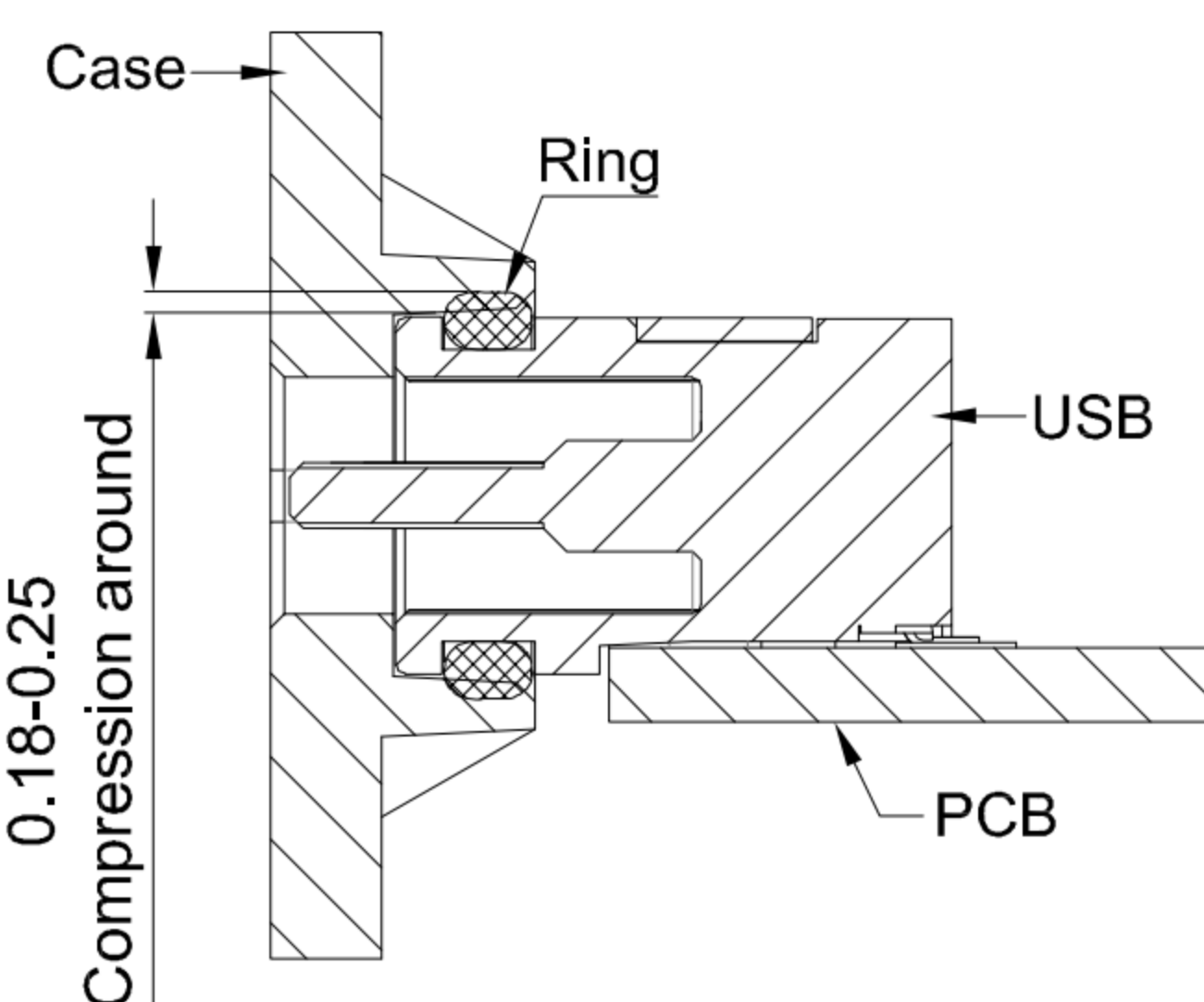
G-Switch USB-C Specification:

1. Current rated: 5A on Vbus/1.25A on Vconn/0.25A on other
2. Voltage rating: 24V AC
3. Withstanding voltage: 100V AC/minute
4. Contact Resistance: 40mΩ Max
5. Insulation Resistance: 100MΩ Min
6. Operating temperature: -40 °C ~ +85 °C
7. Mating force: 5N~20N
8. Unmating force: 8N~20N
9. Durability Cycle: 10,000 Cycles

A1	A2	A3	A4	A5	A6	A7	A8	A9	A10	A11	A12
GND			VBUS	CC1	D+	D-	SBU1	VBUS			GND
First			First	Second	Second	Second	Second	First			First
B12	B11	B10	B9	B8	B7	B6	B5	B4	B3	B2	B1
GND			VBUS	SBU2	D-	D+	CC2	VBUS			GND
First			First	Second	Second	Second	Second	First			First



RECOMMENDED PCB LAYOUT
TOLERANCE: ±0.05



SCALE: 1:1 UNIT: mm
SIZE: A4

Unless otherwise
General Tolerance:
X. ±0.25
X.x ±0.20
X.xx ±0.15
X.xxx ±0.10
X° ±5°

Title: Horizontal Type-c 16P Female
SMT CH=1.68 L=6.0mm

Molde Code: GT-USB-7030A

DRAWN	CHECKED	APPROVED	DATE
Xia	Chen	Chen	2022.12.09



REV: A0 SHEET: 1/2

1	COVER SHELL	HIGH TEMPERATURE PLASTIC	LCP BLACK UL 94 V-0
2	SHELL	STAINLESS STEEL	NI PLATED
3	MID PLATE	STAINLESS STEEL	-
4	HOUSING	HIGH TEMPERATURE PLASTIC	LCP BLACK UL 94 V-0
5	TERMINALS	COPPER ALLOY	Au3u" PLATING ON CONTACT AREA
6	WATERPROOF RING	SILICA GEL	RED
NO.	PARTS	MATERIAL	REMARKS

A

B

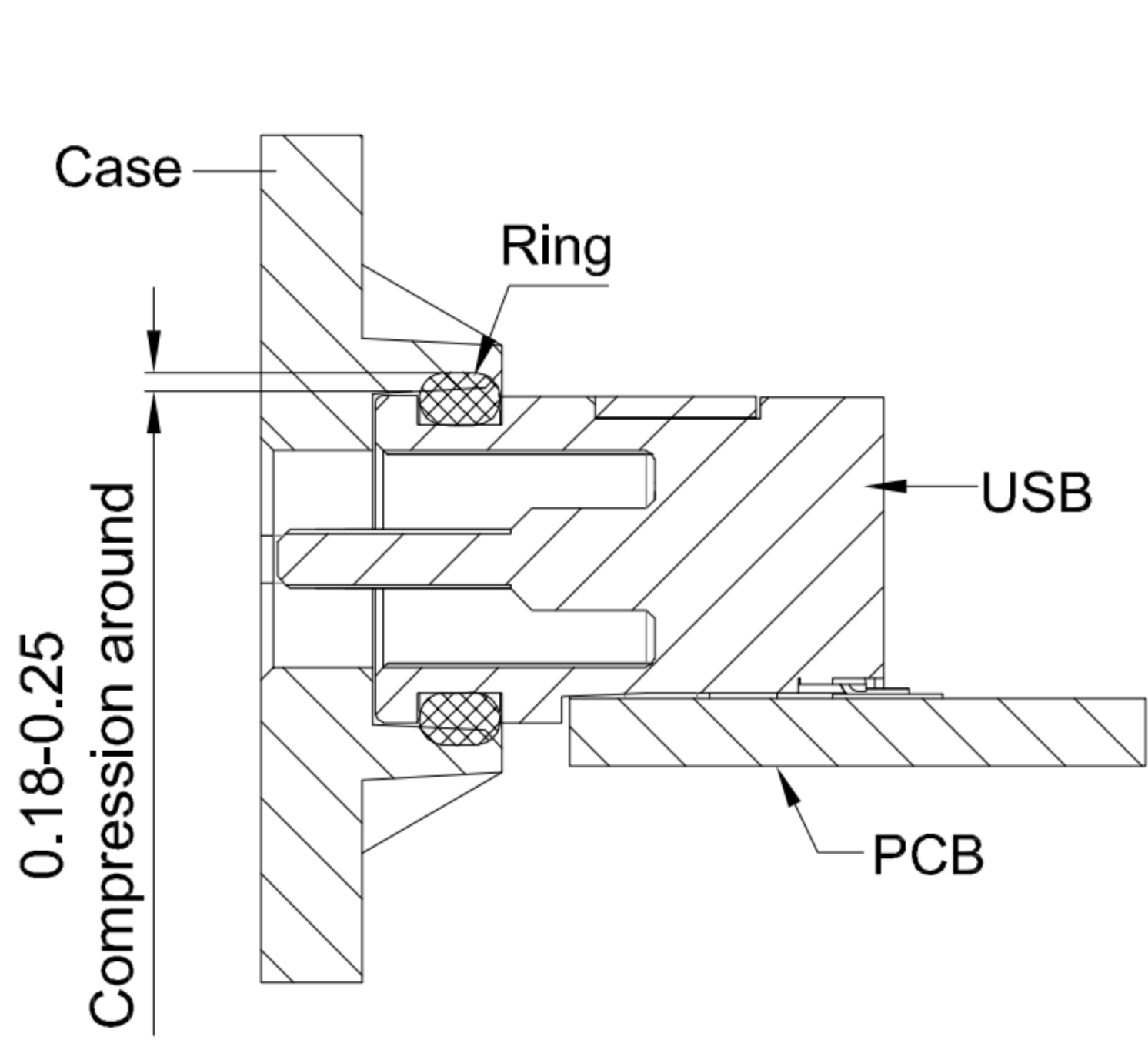
C

D

E

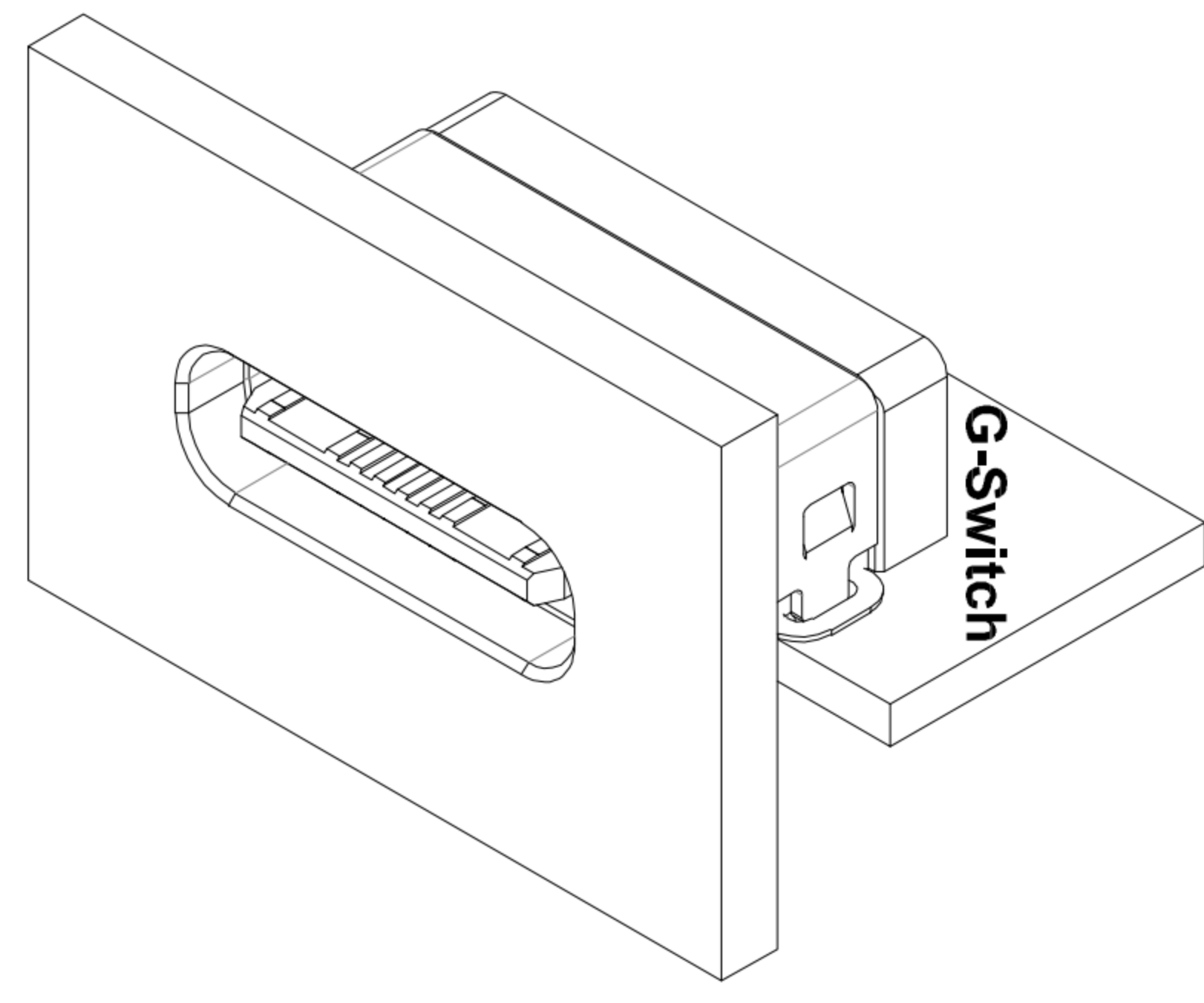
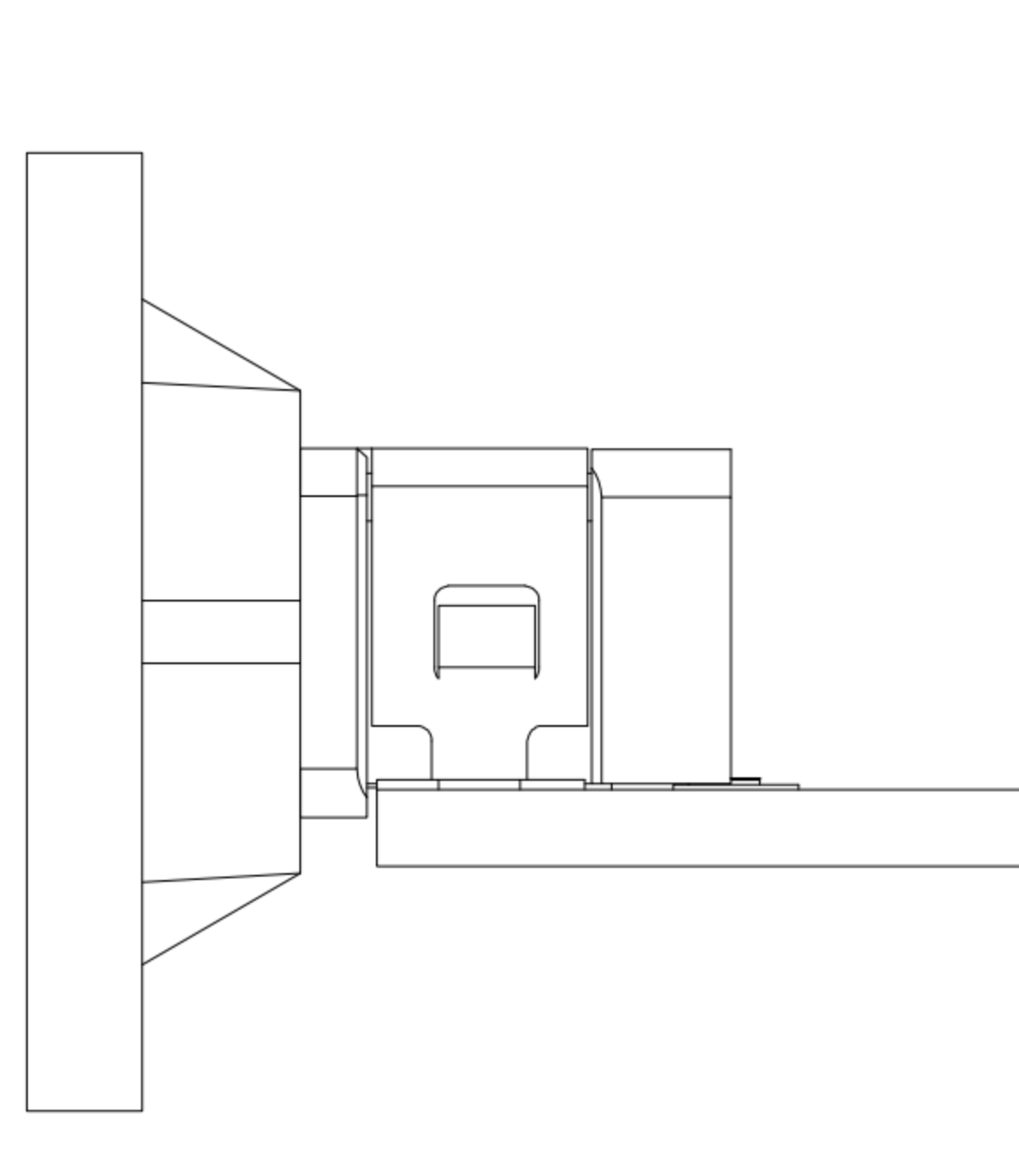
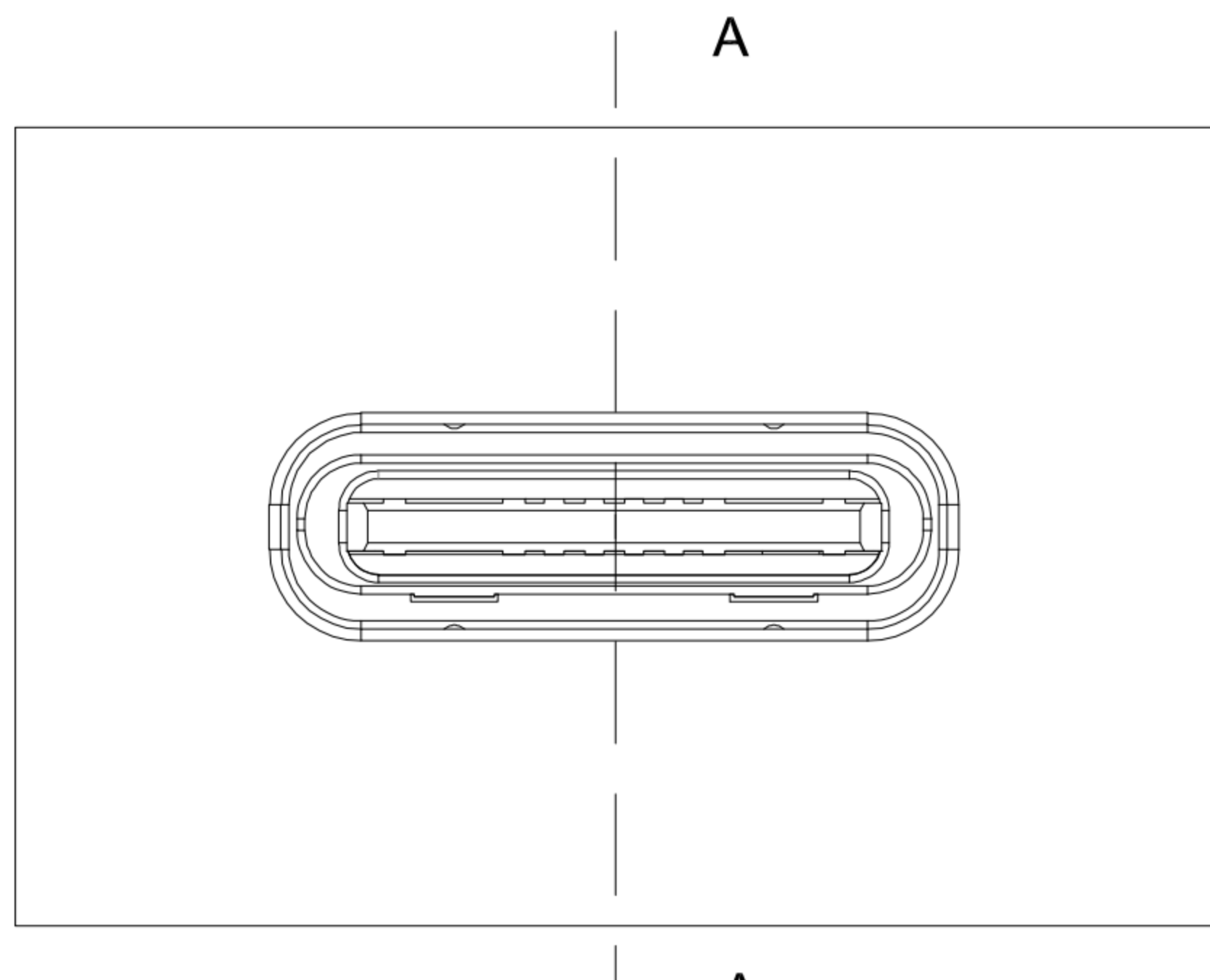
1

1



SECTION A-A

Compression recommend ded is 30% -40% of the thickness of the waterproof ring

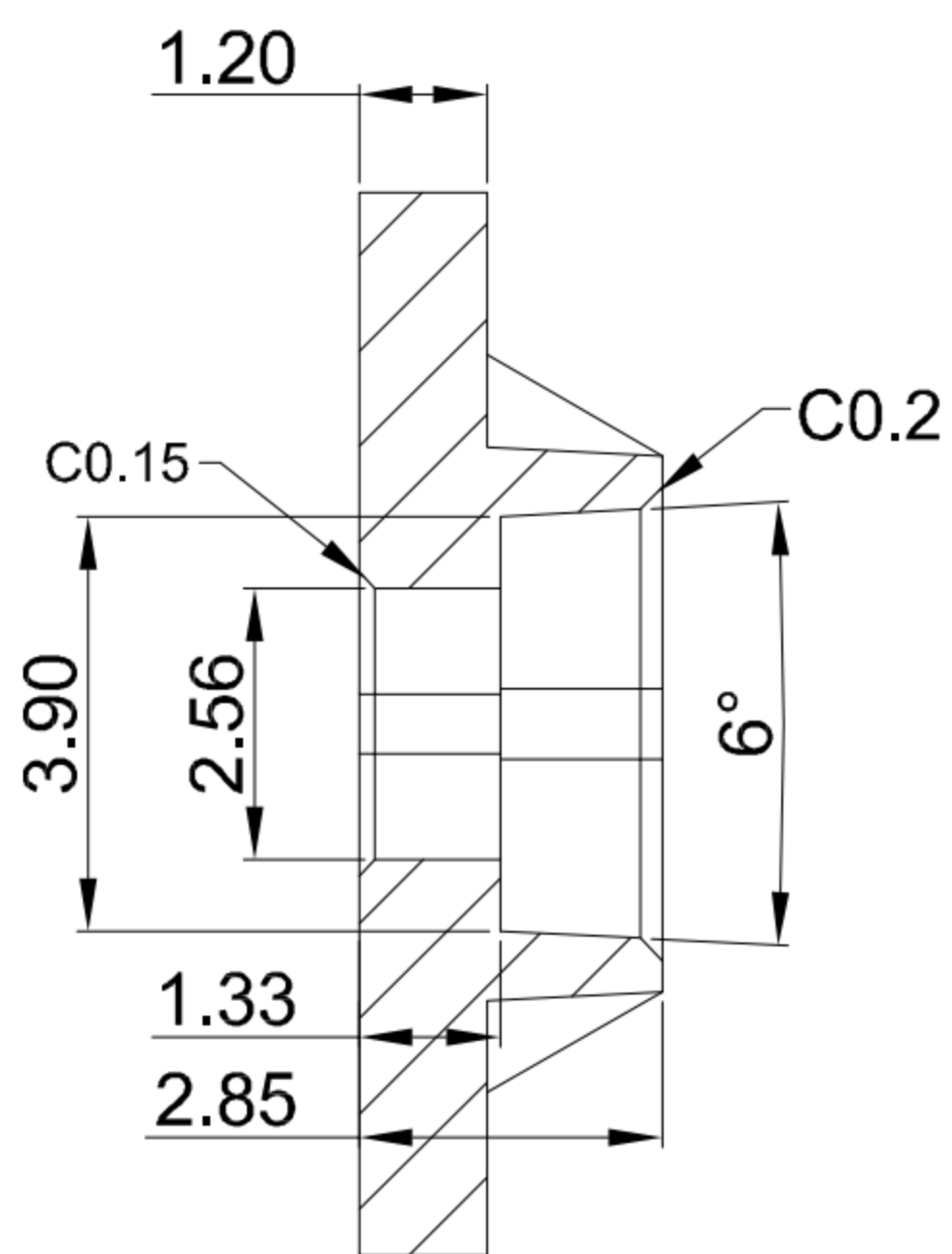


2

2

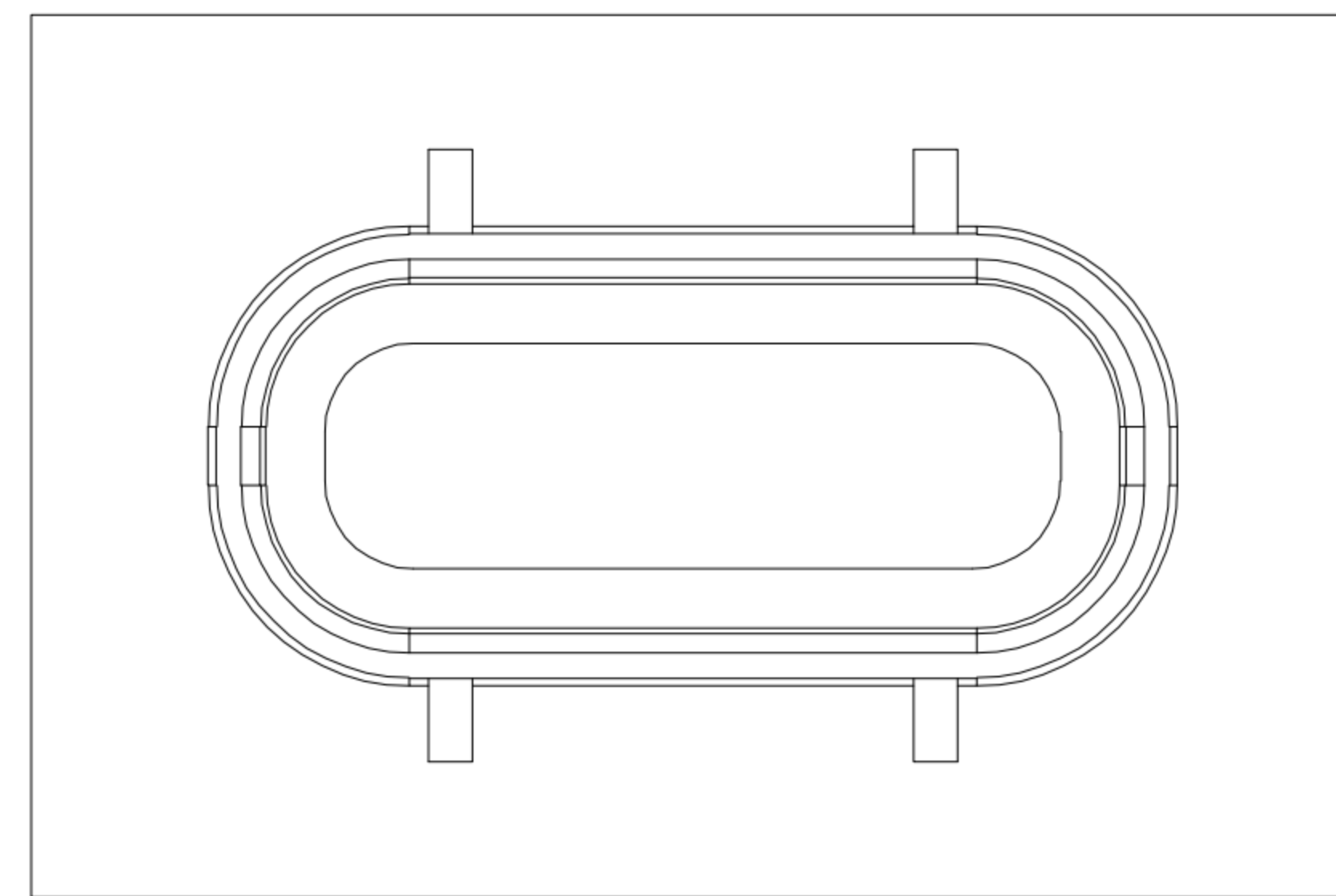
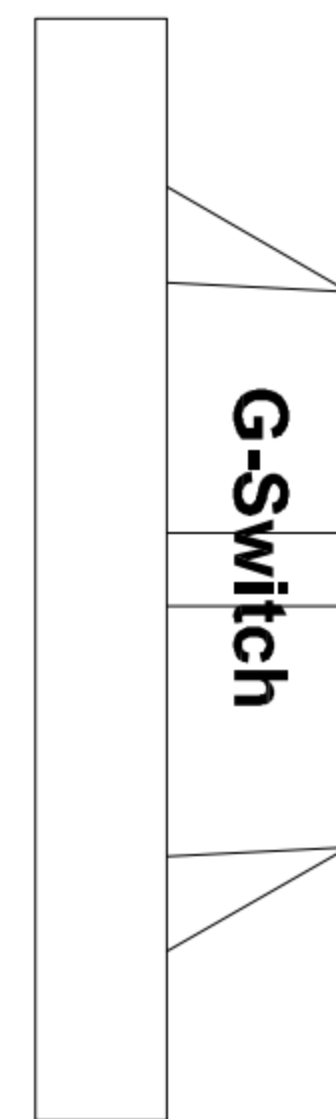
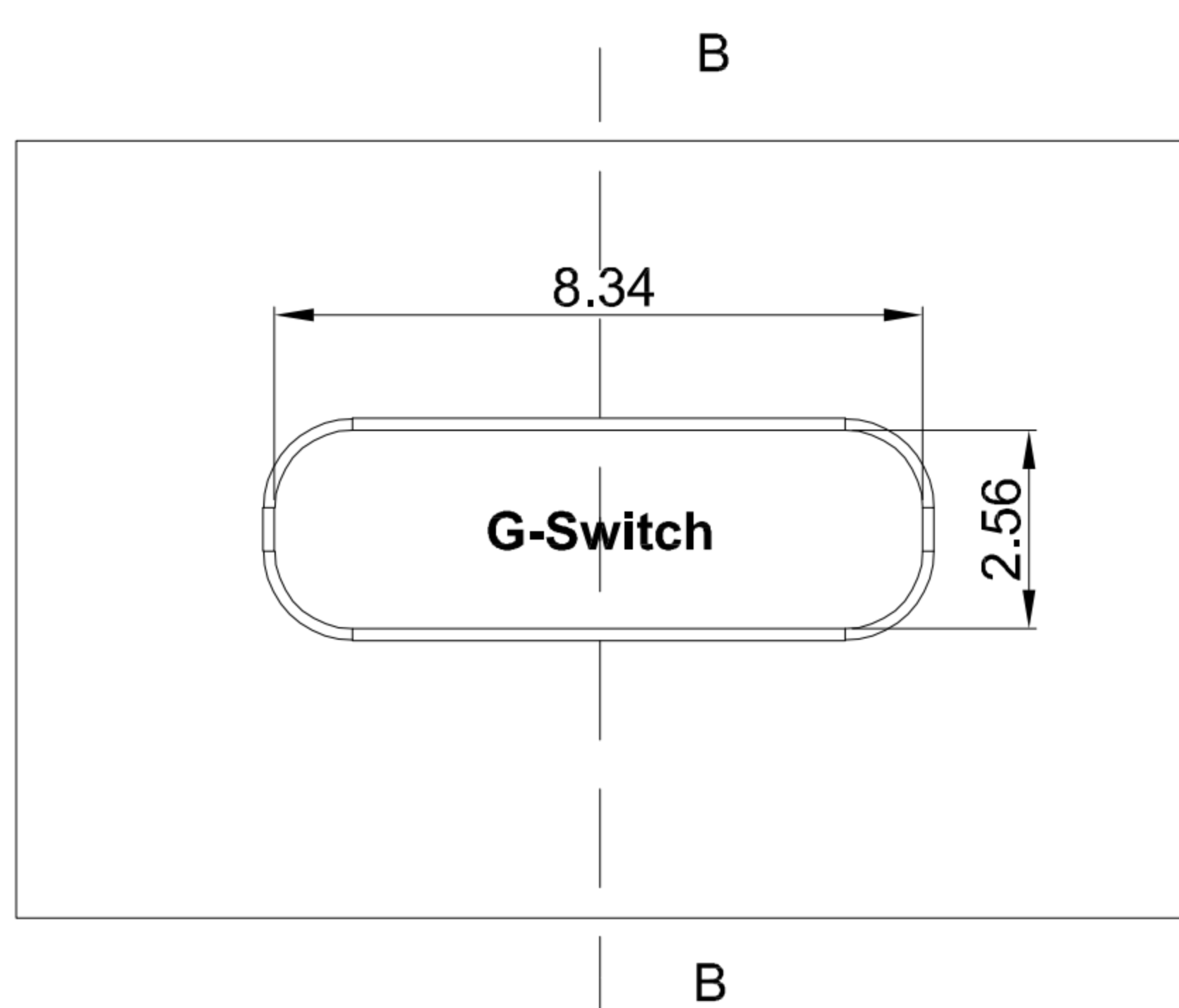
3

3



SECTION B-B

Shell dimensions are for reference only



4

4

5

5



SCALE: 1:1 UNIT: mm
 SIZE: A4

Title: Horizontal Type-c 16P Female
 SMT CH=1.68 L=6.0mm

Unless otherwise
 General Tolerance:
 X. ±0.25
 X.x ±0.20
 X.xx ±0.15
 X.xxx ±0.10
 X° ±5°

Molde Code: GT-USB-7030A			
DRAWN	CHECKED	APPROVED	DATE
Xia	Chen	Chen	2022.12.09



REV: A0 SHEET: 2/2

A

B

C

D

E