

1

2

3

4

5

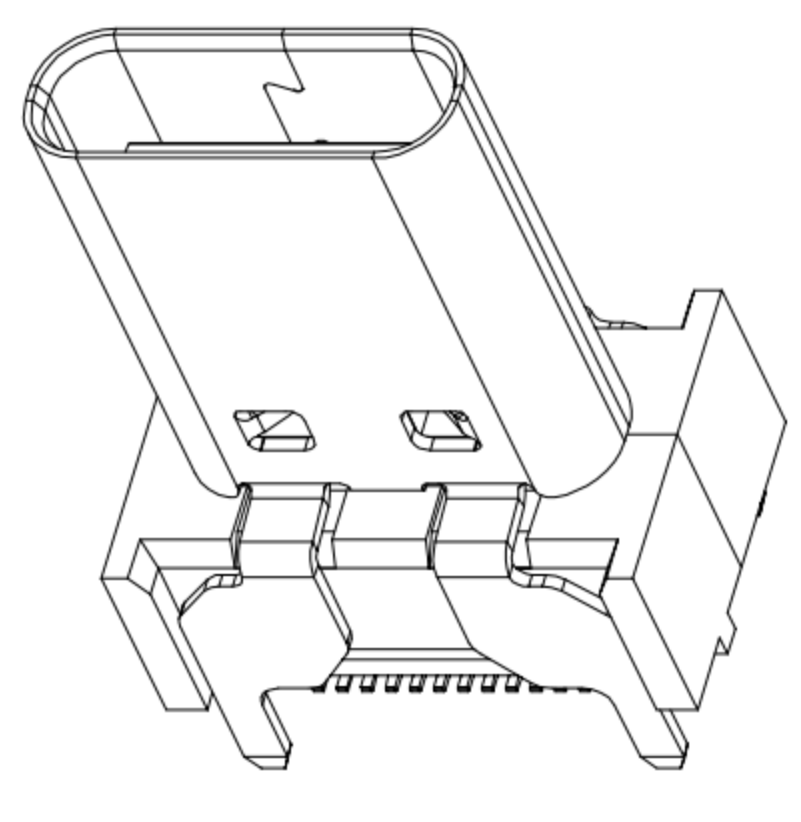
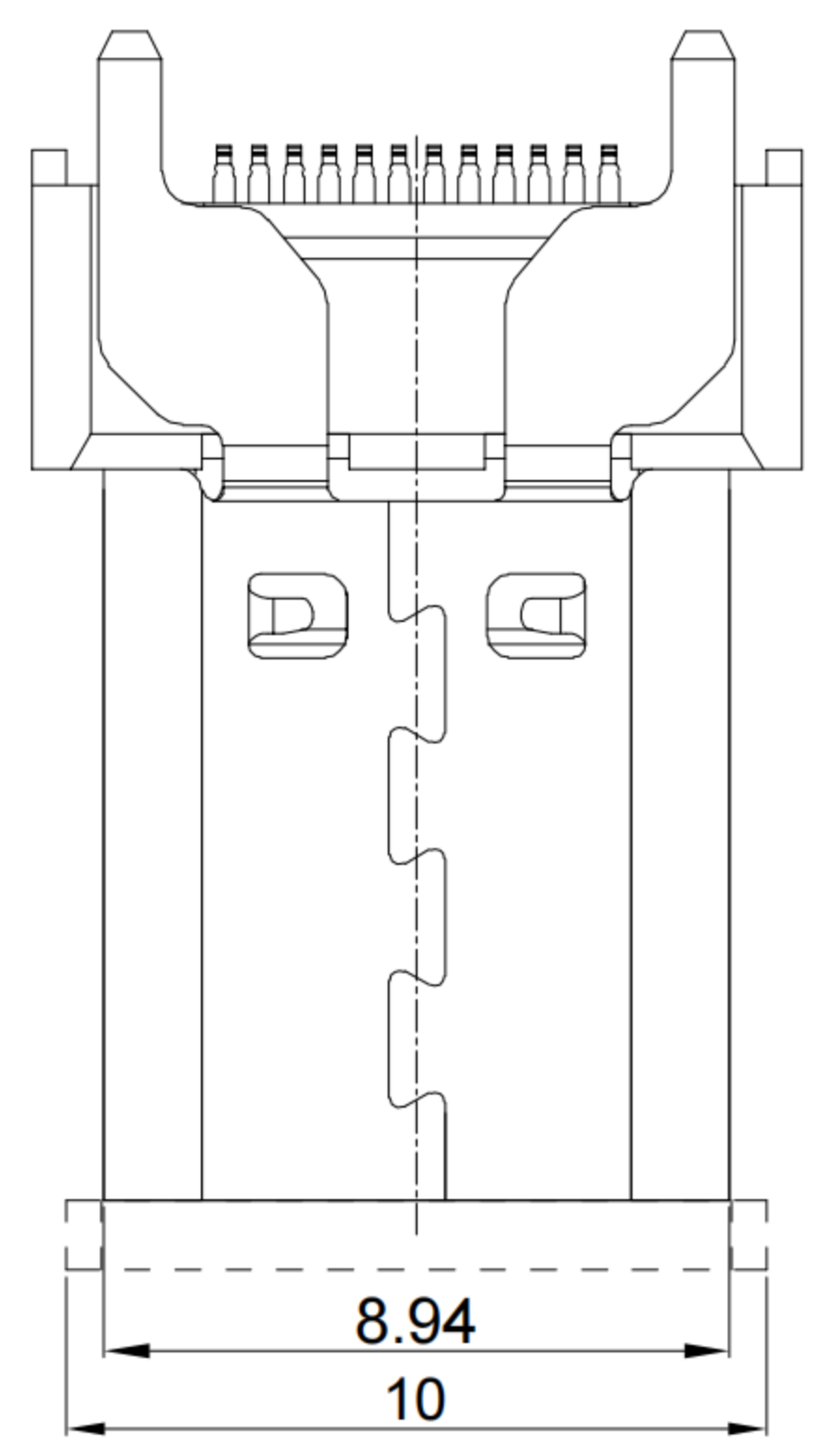
A

B

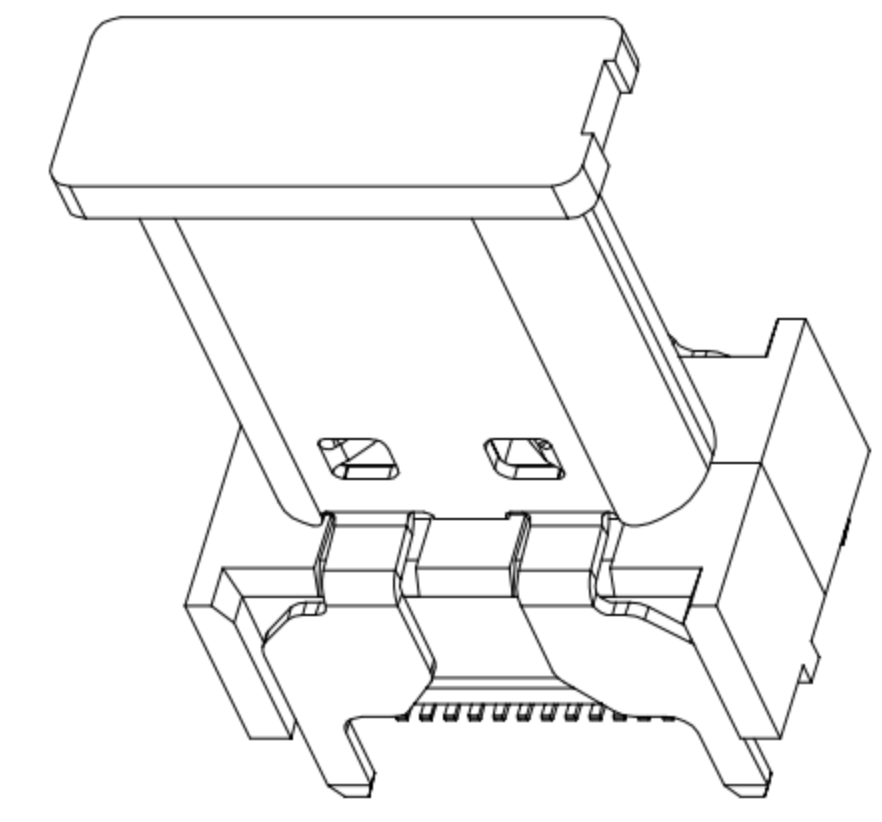
C

D

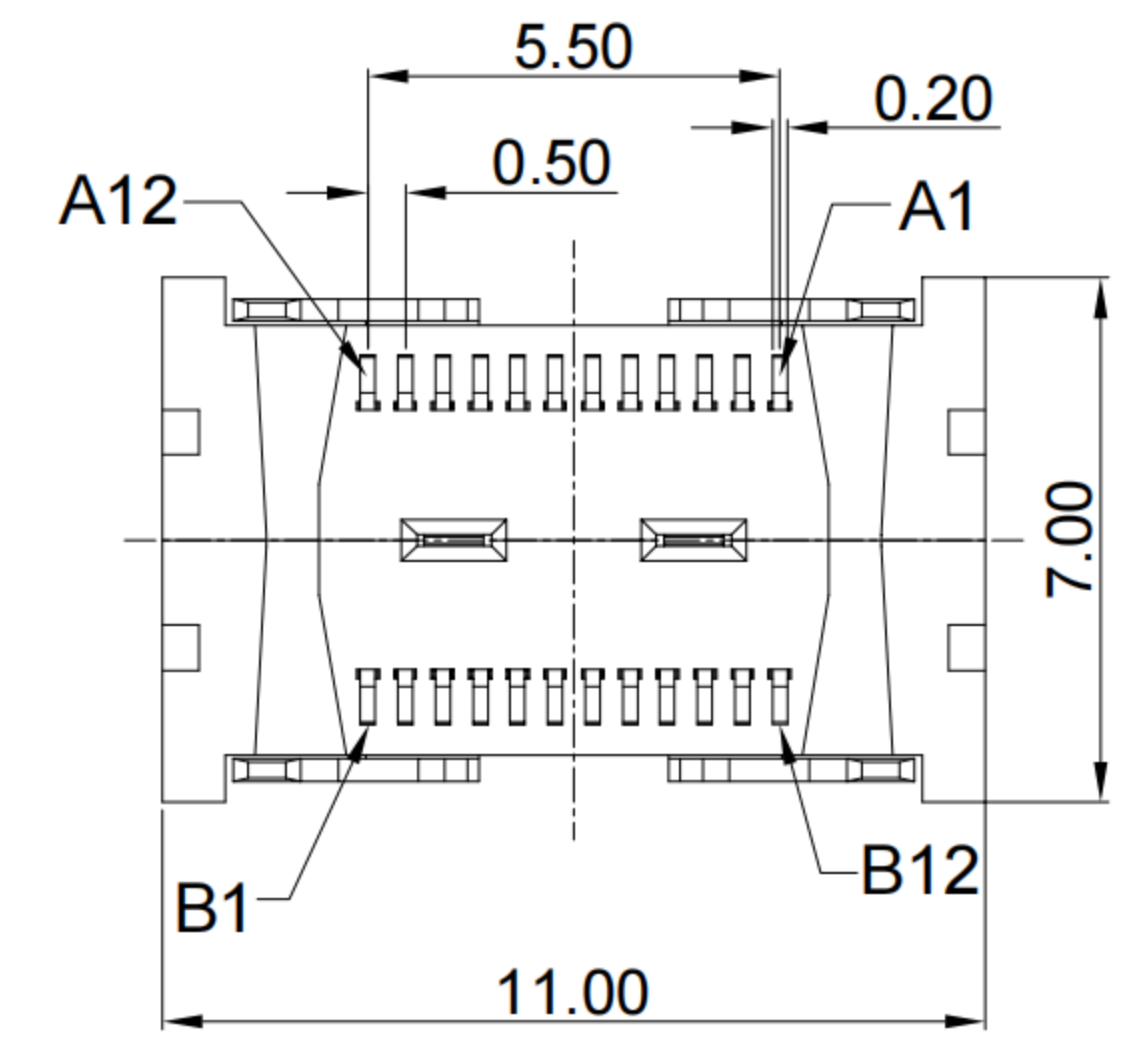
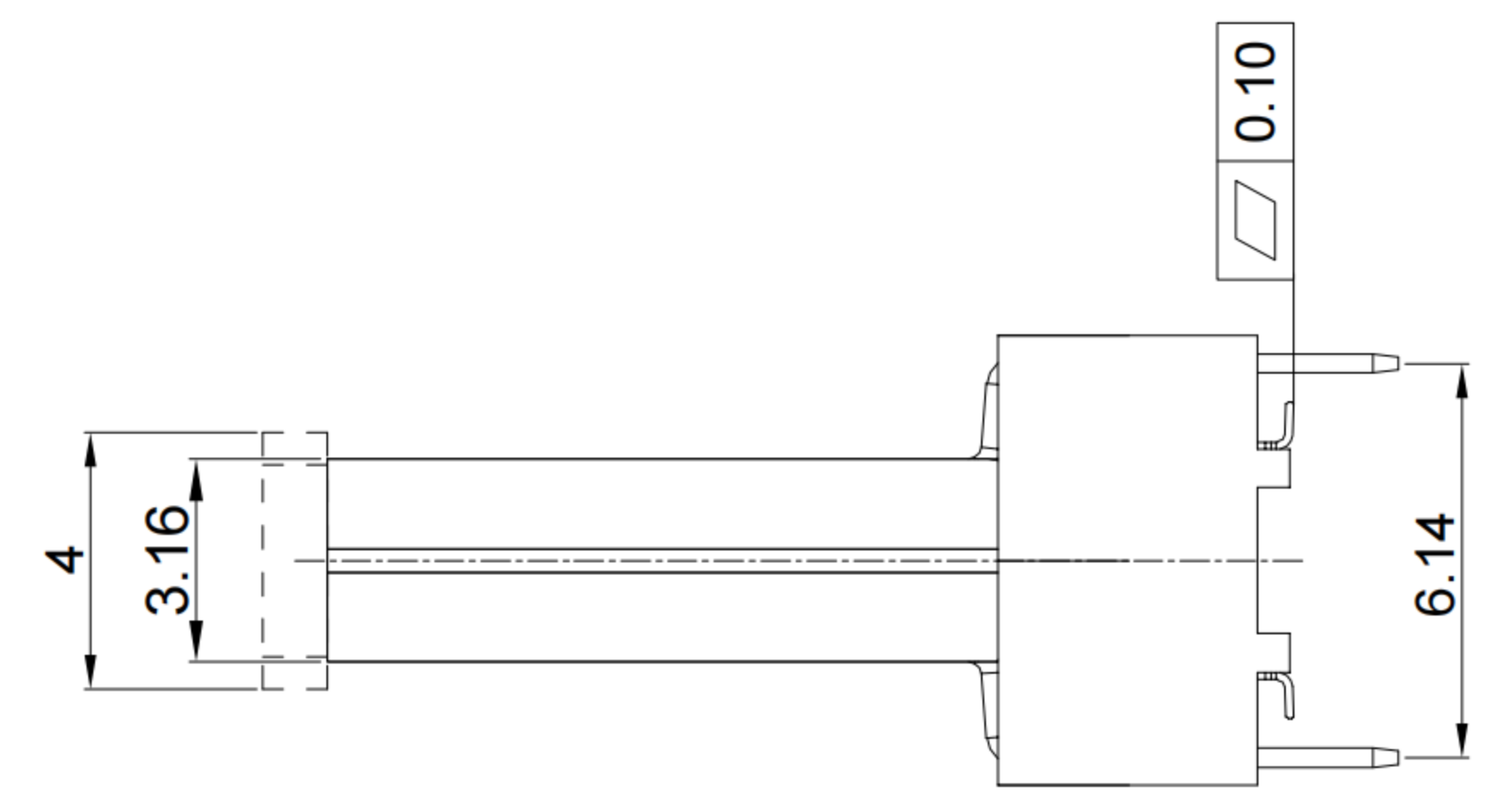
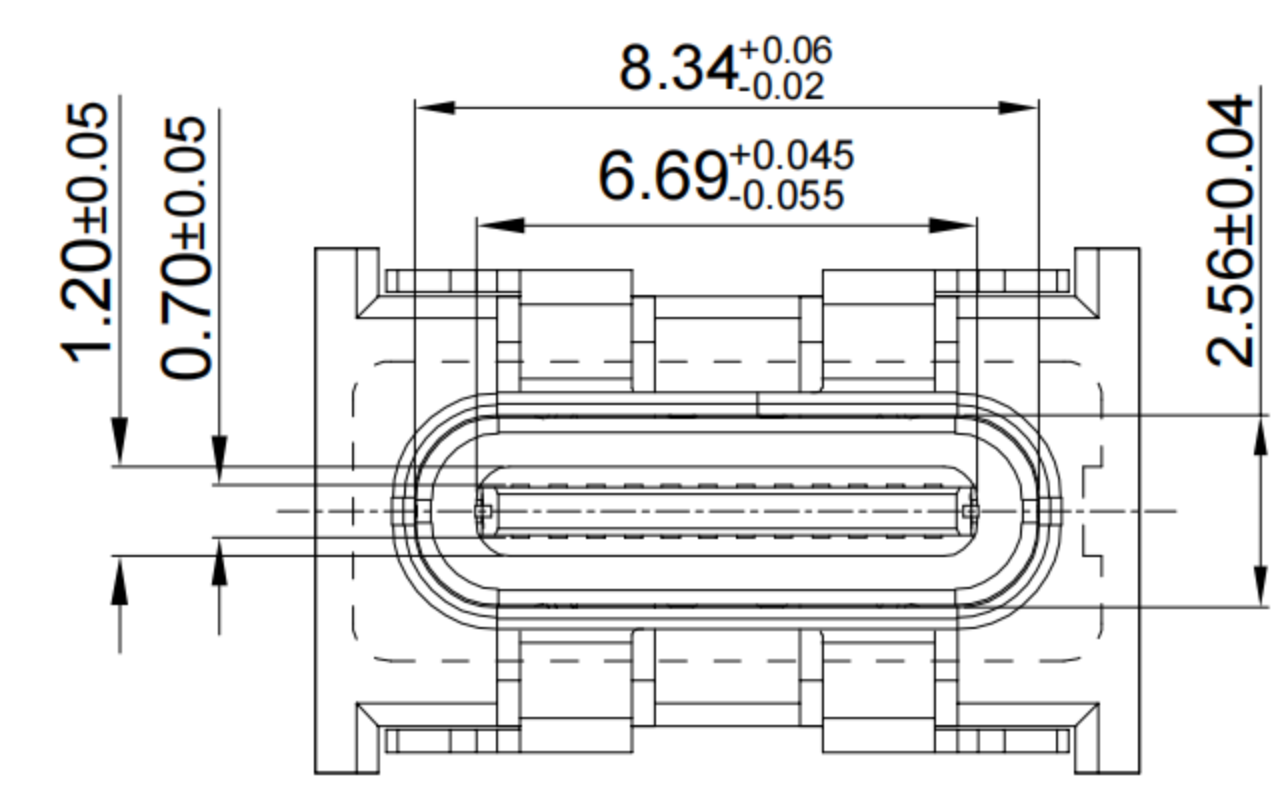
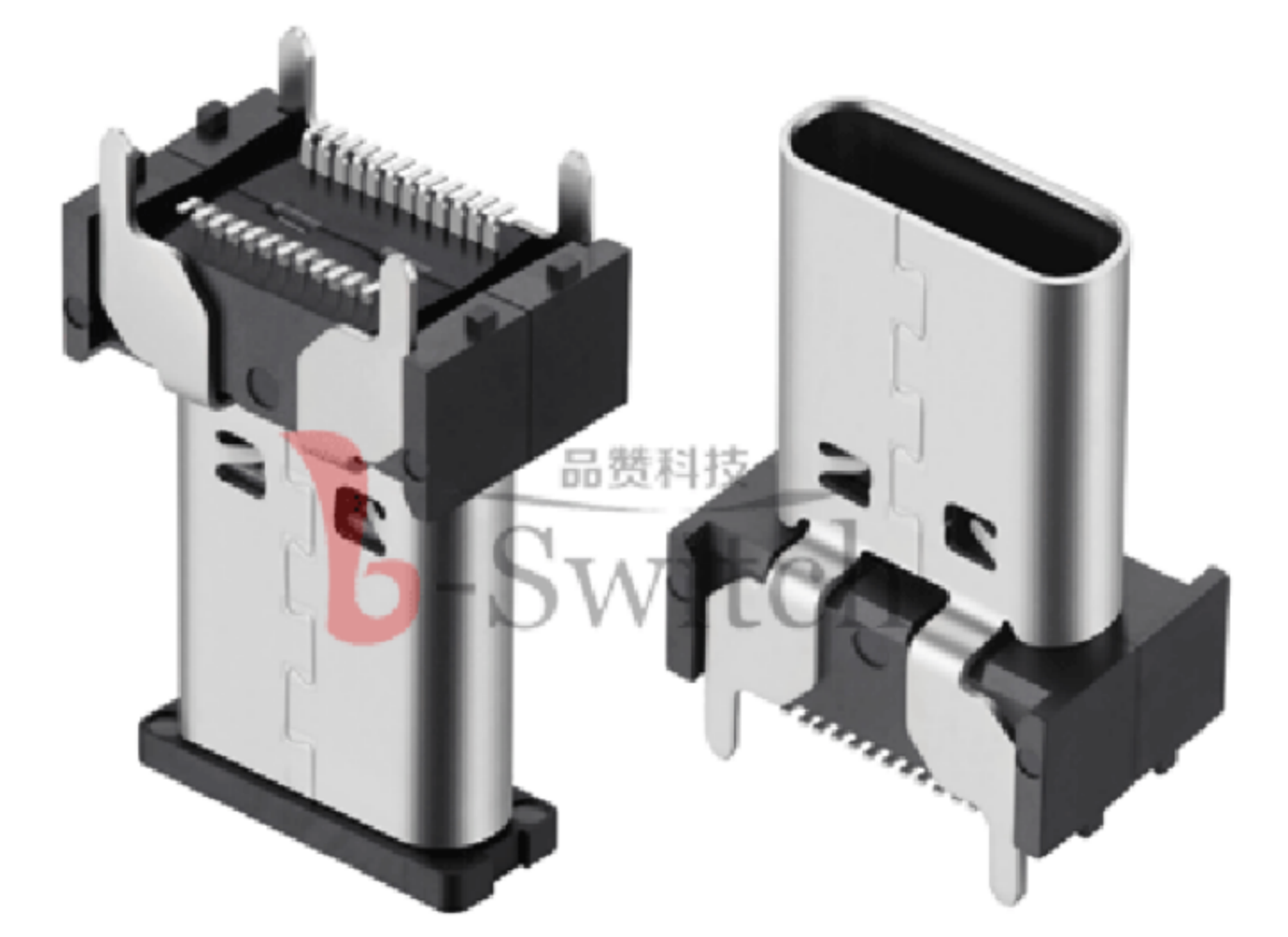
E



WITHOUT COVER

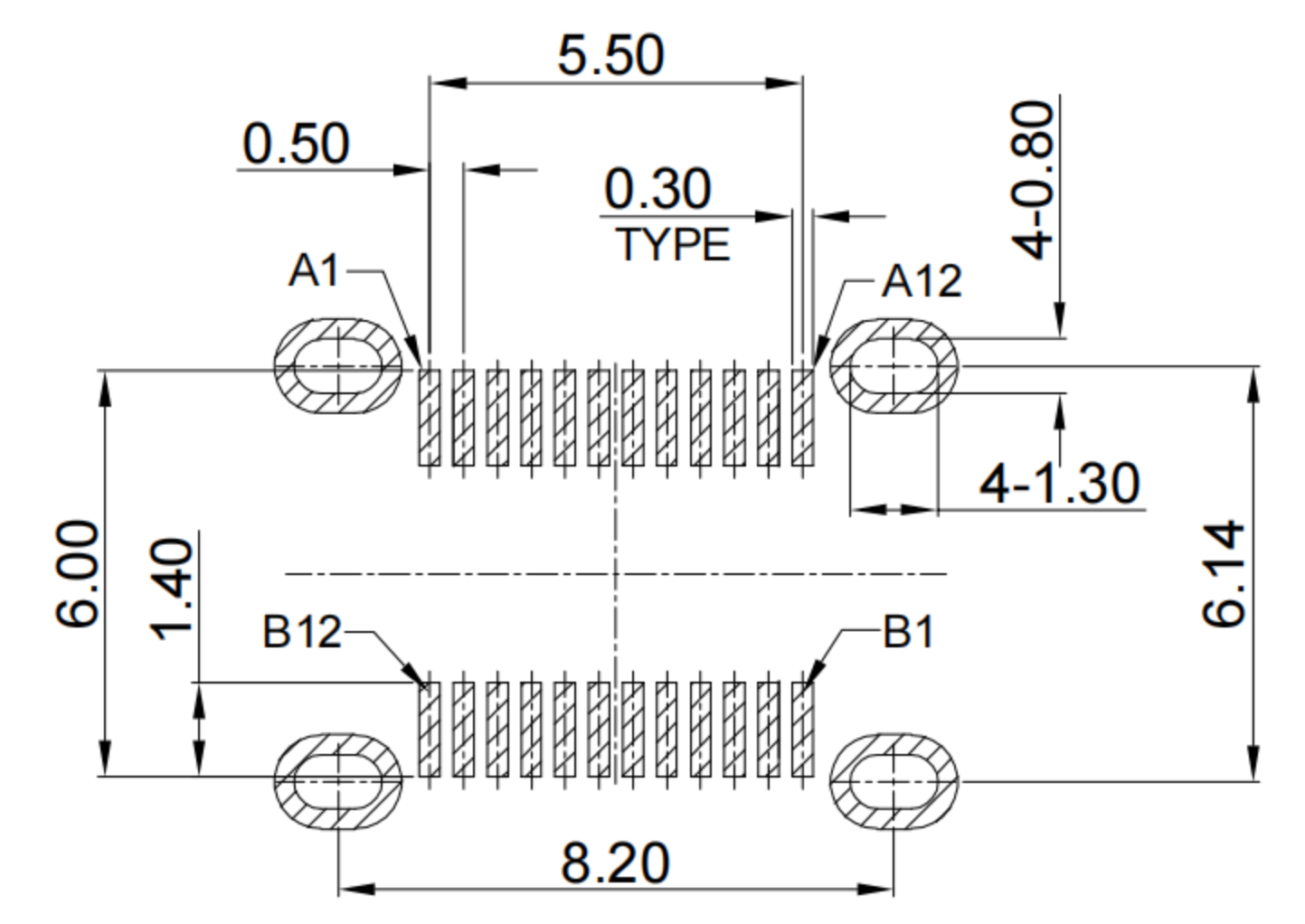
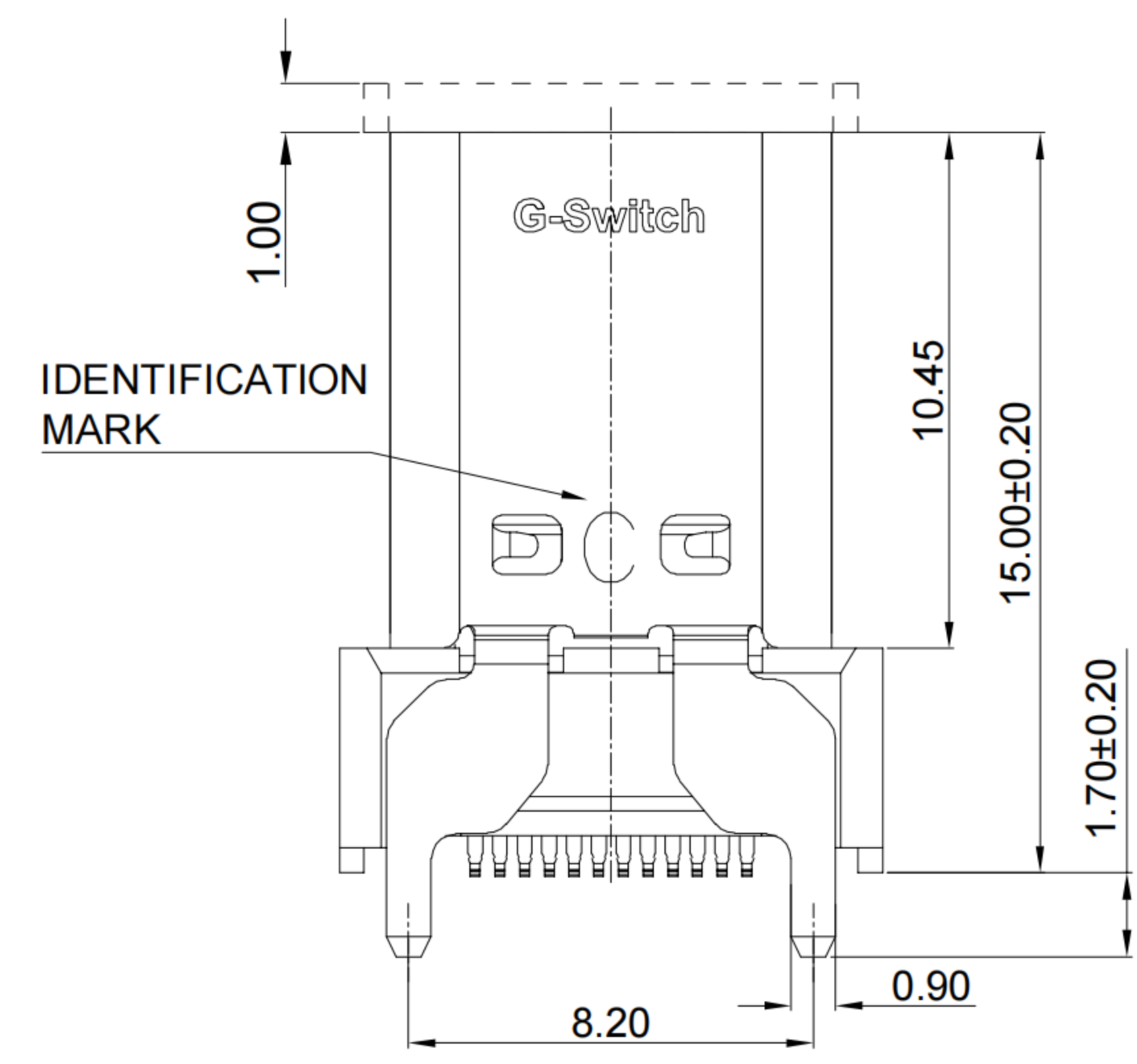


WITH COVER



G-Switch USB-C Specification:

- 1.Current rated:5A on Vbus/1.25A on Vconn/0.25A on other
- Voltage rating:24V AC
- 2.Withstanding voltage:100V AC/minute
- 3.Contact Resistance: 40mΩ Max
- 4.Insulation Resistance: 100MΩ Min
- 5.Operating temperature: -40 °C ~ +85 °C
- 6.Mating force: 5N~20N
- 7.Unmating force: 8N~20N
- 8.Durability Cycle:10,000 Cycles
- 9.Data transmission rate up to 40Gbps



RECOMMENDED PCB LAYOUT
TOLERANCE:±0.05

A1	A2	A3	A4	A5	A6	A7	A8	A9	A10	A11	A12
GND	TX1+	TX1-	VBUS	CC1	D+	D-	SBU1	VBUS	RX2-	RX2+	GND
First	Second	Second	First	Second	Second	Second	Second	First	Second	Second	First

B12	B11	B10	B9	B8	B7	B6	B5	B4	B3	B2	B1
GND	RX1+	RX1-	VBUS	SBU2	D-	D+	CC2	VBUS	TX2-	TX2+	GND
First	Second	Second	First	Second	Second	Second	Second	First	Second	Second	First

1	COVER	HIGH TEMPERATURE PLASTIC	Black UL 94 V-0
2	SHELL	STAINLESS STEEL	NI PLATED
3	GND PLATE	STAINLESS STEEL	---
4	MID PLATE	STAINLESS STEEL	NI PLATED
5	HOUSING	HIGH TEMPERATURE PLASTIC	Black UL 94 V-0
6	TERMINALS	COPPER ALLOY	Au PLATING ON CONTACT AREA
NO.	PARTS	MATERIAL	REMARKS



SCALE: 1:1	UNIT: mm	Title: Vertical Type-c 24P Female	
SIZE: A4		SMT H=15.0mm	
Unless otherwise General Tolerance:		Molde Code: GT-USB-7028D	
X.	±0.25	DRAWN	CHECKED
X.x	±0.20	APPROVED	DATE
X.xx	±0.15	Xia	Chen
X.xxx	±0.10	Chen	2023.02.01
X°	±5°		



REV: A0 SHEET: 1/1