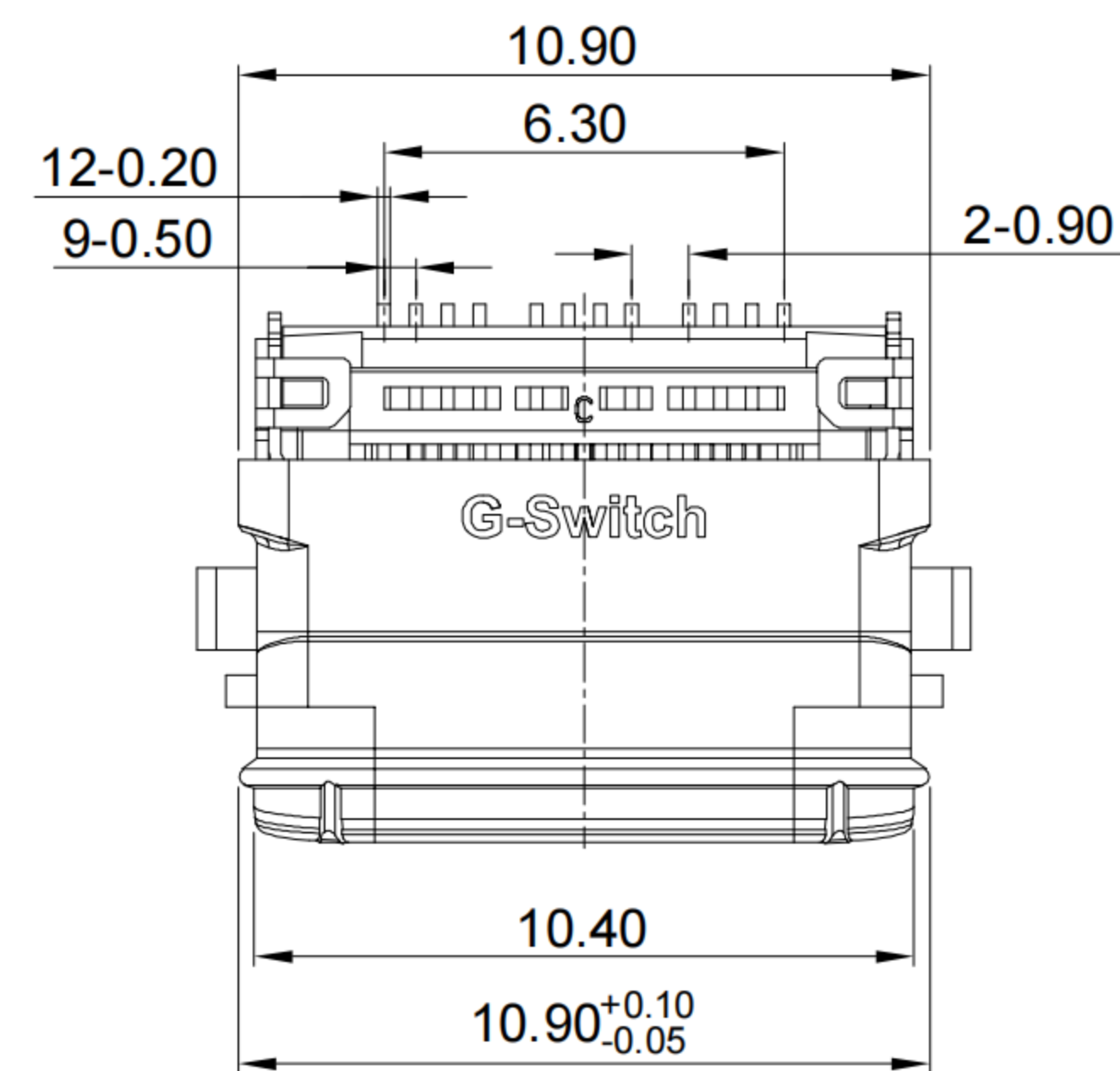
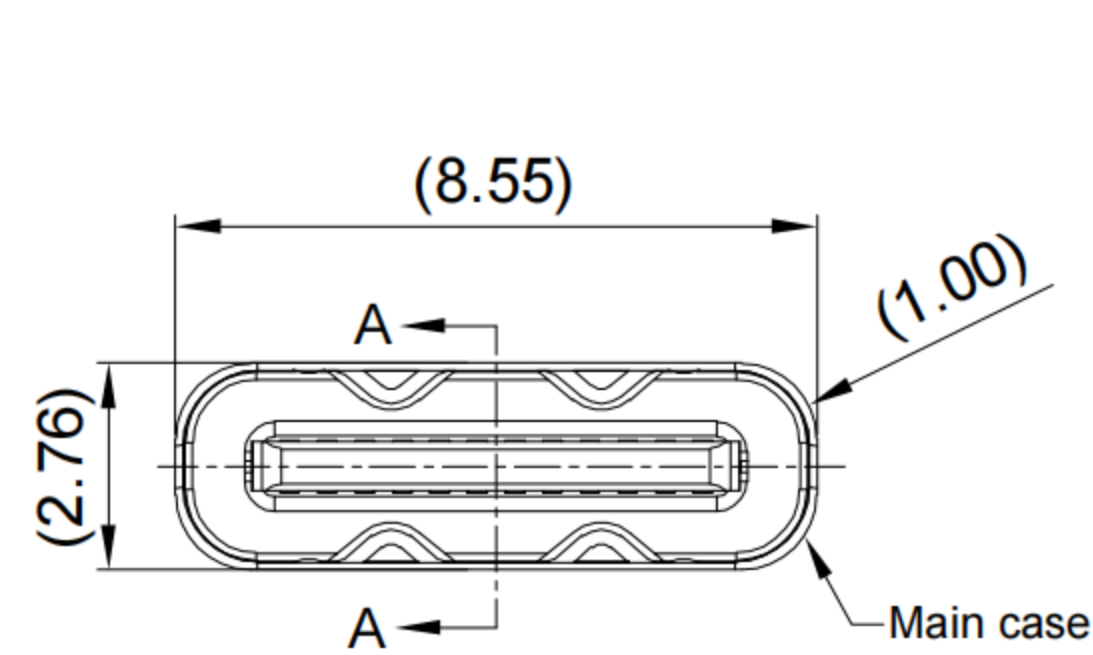


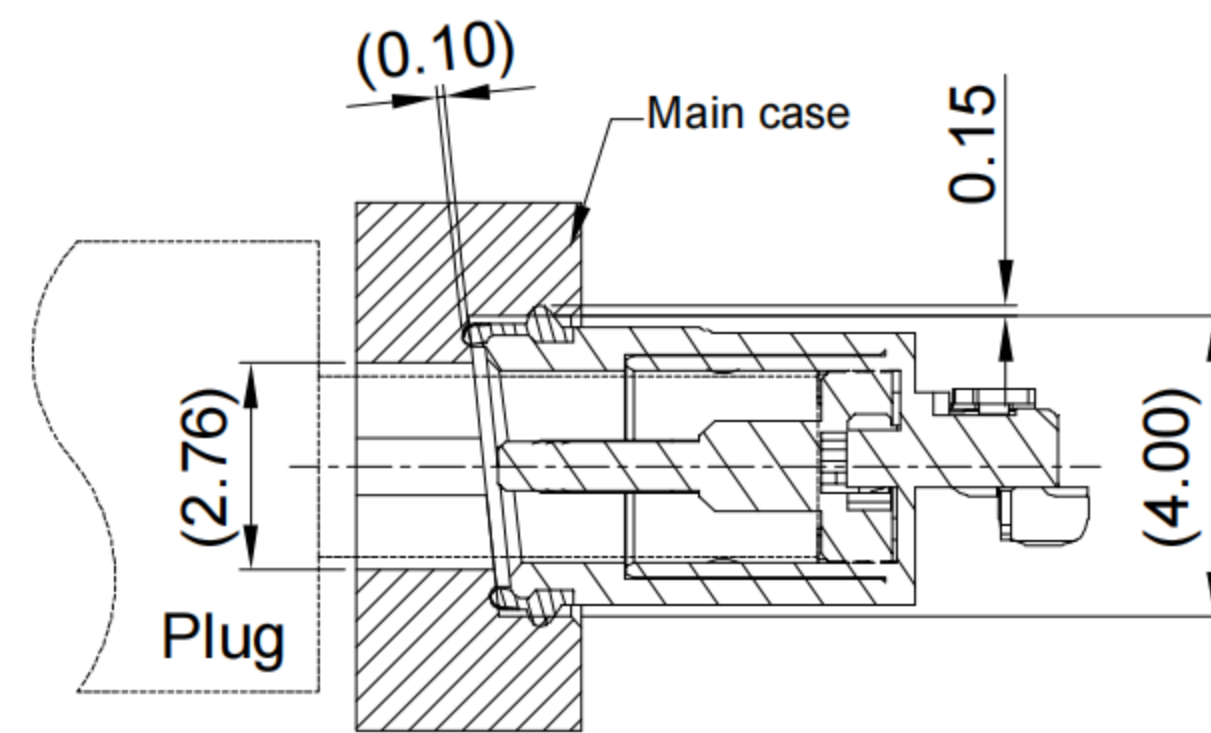
1



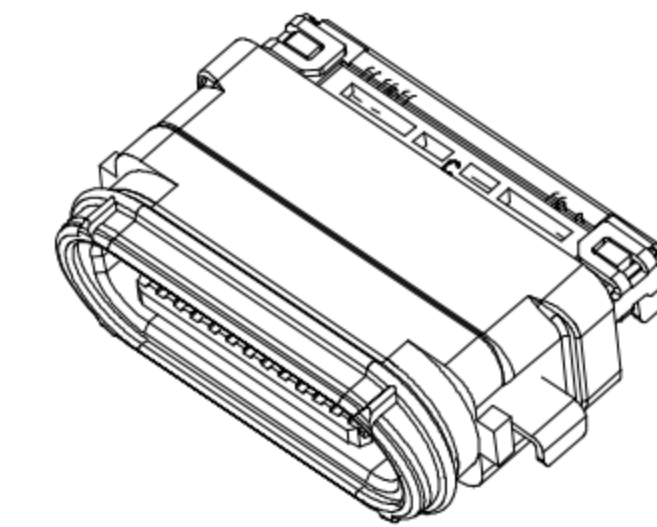
B



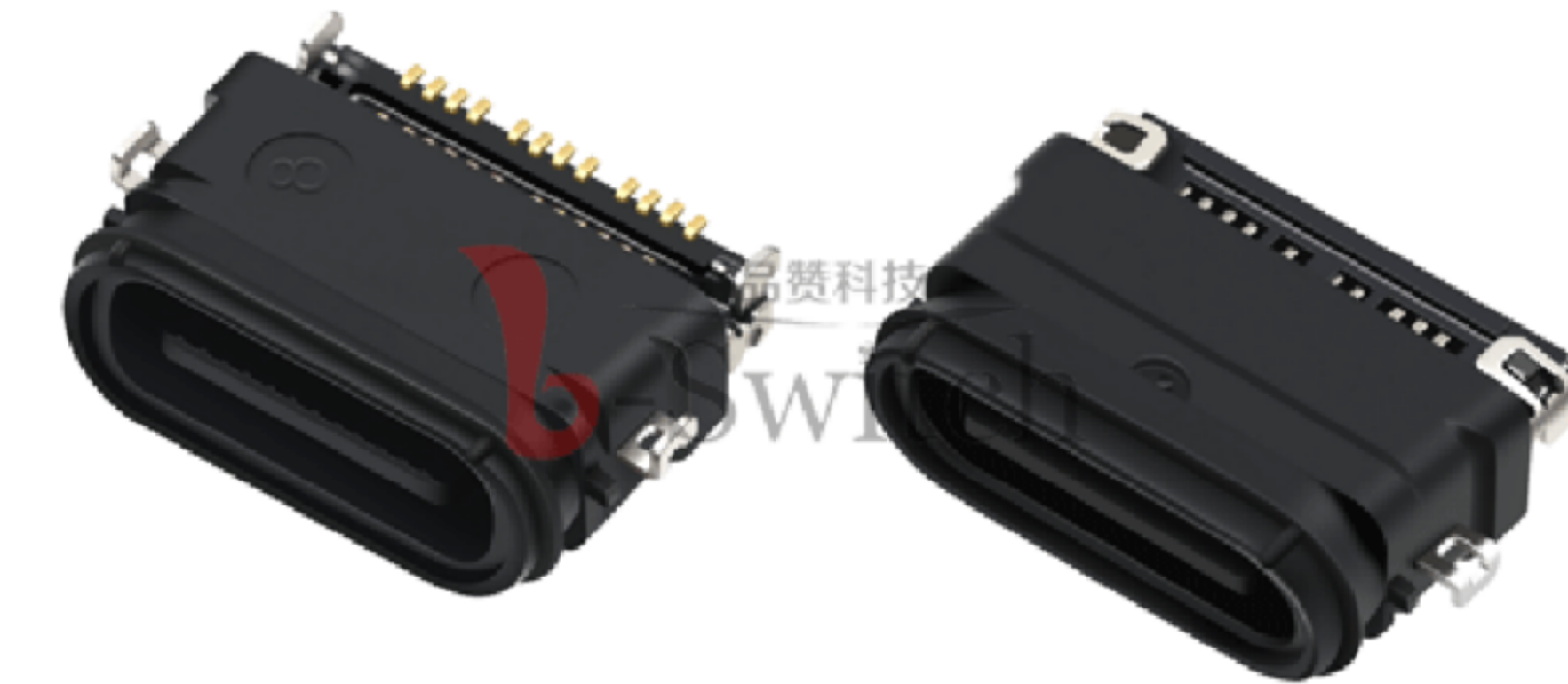
C



D

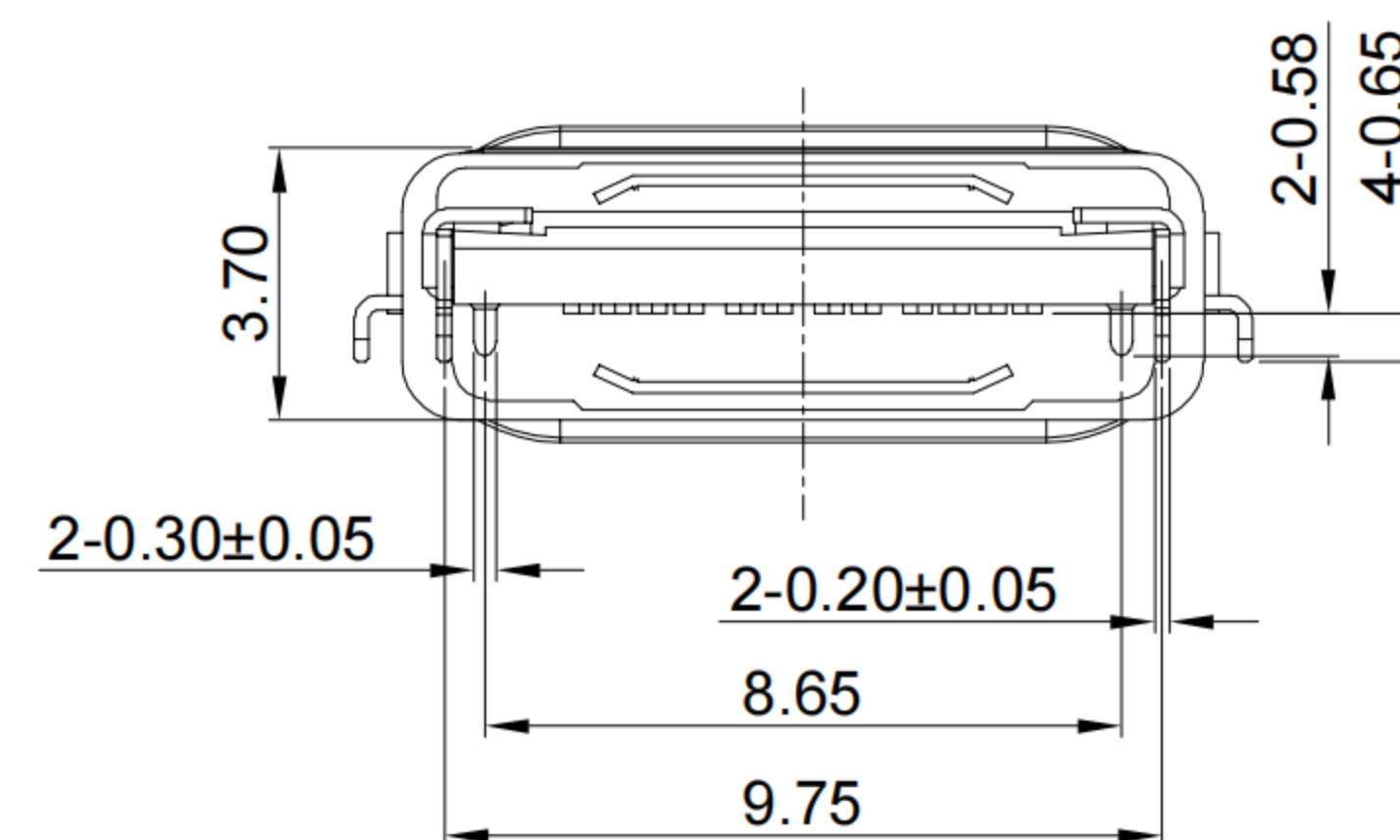
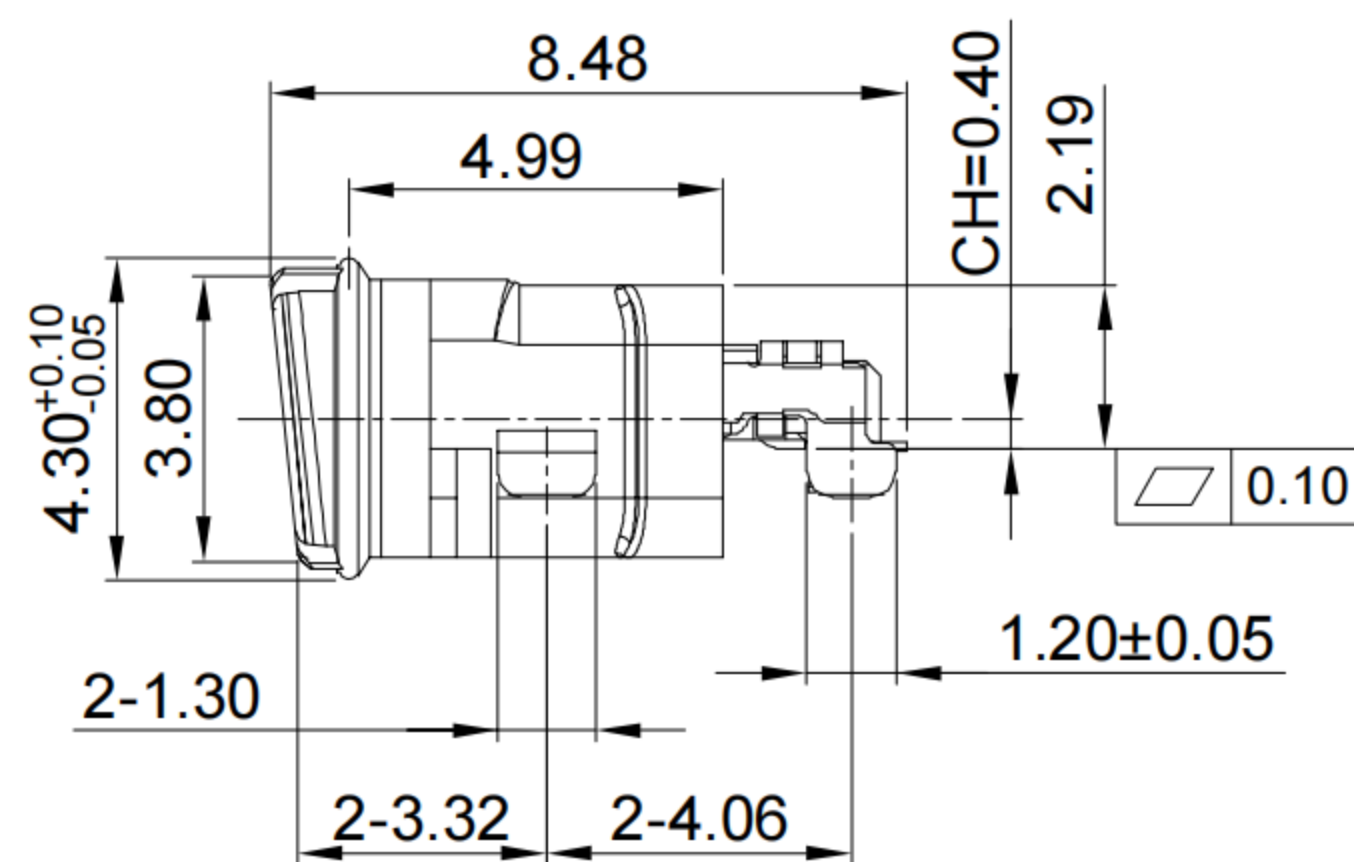
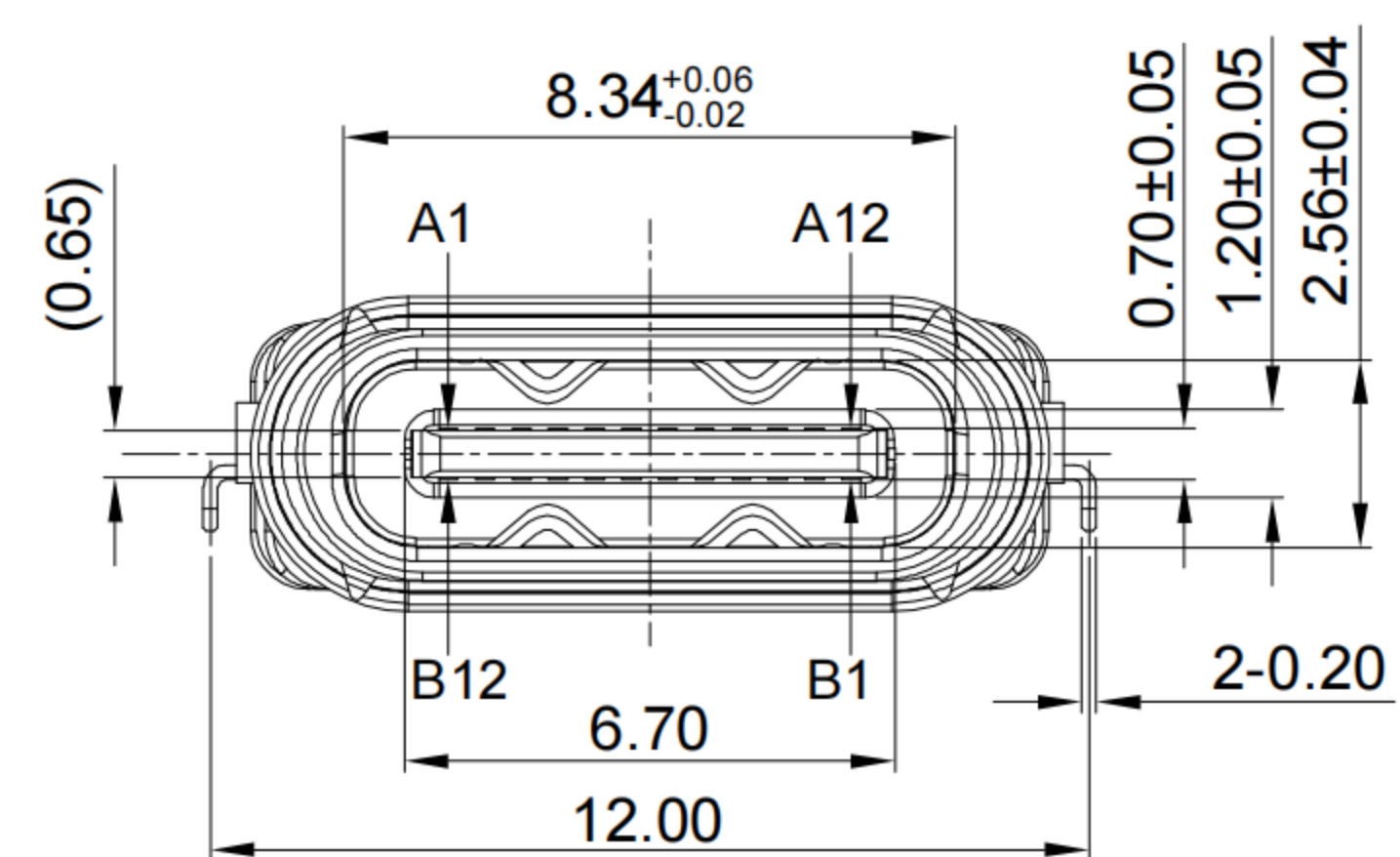


E

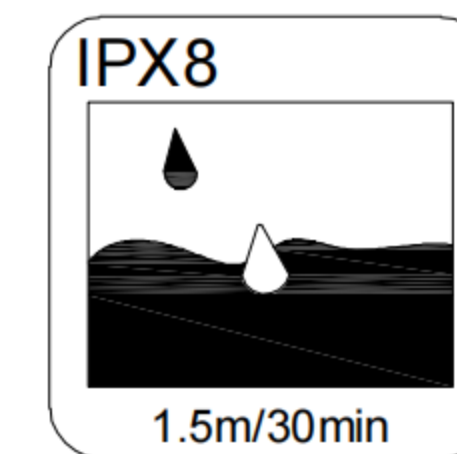
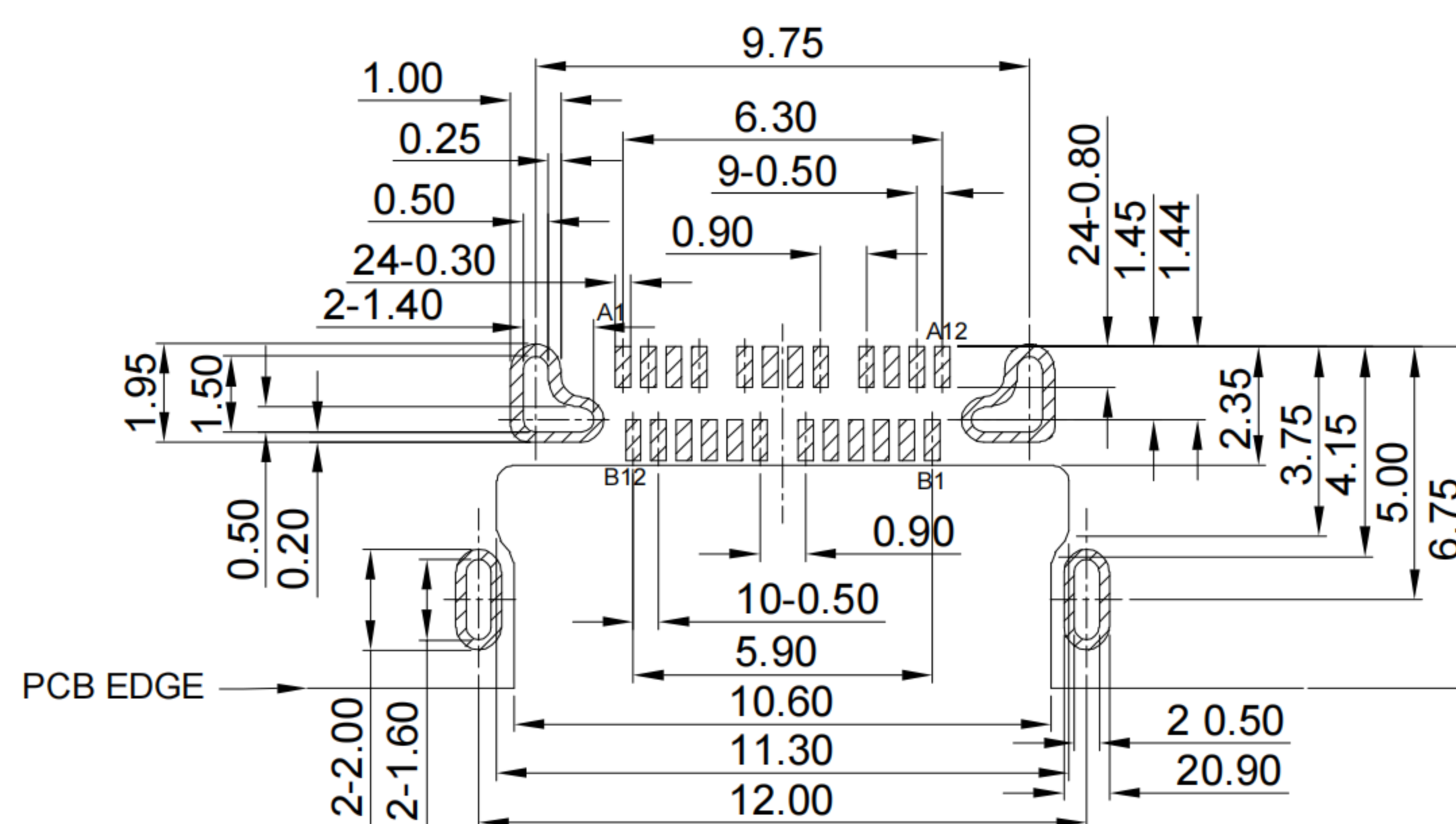
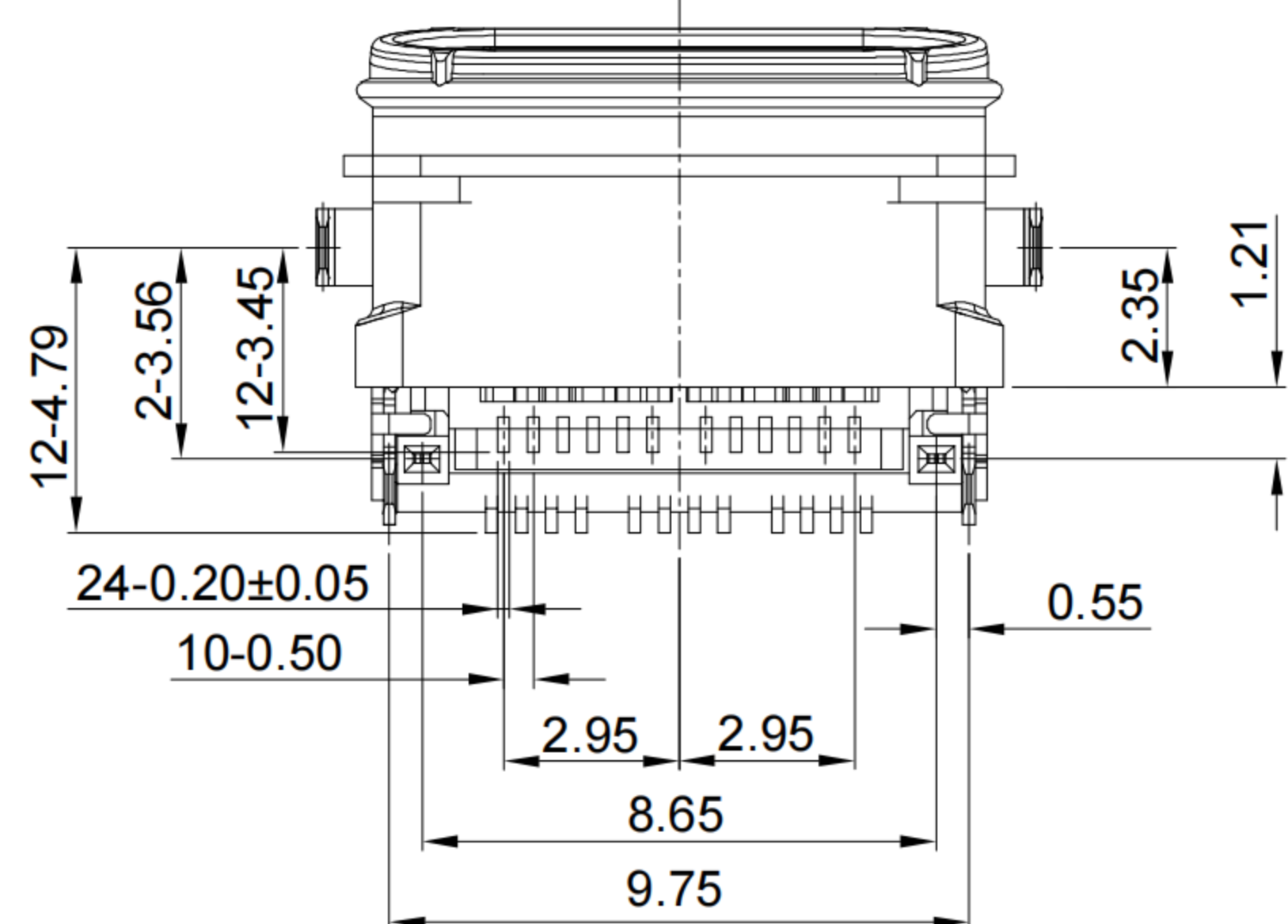


Case Assembly For Reference

2



3



G-Switch USB-C Specification:

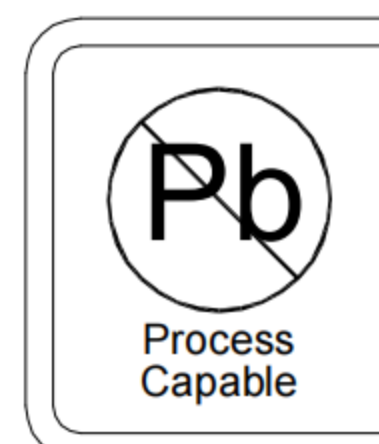
- Current rated:5A on Vbus/1.25A on Vconn/0.25A on other  
Voltage rating:24V AC
- Withstanding voltage:100V AC/minute
- Contact Resistance: 40mΩ Max
- Insulation Resistance: 100MΩ Min
- Operating temperature: -40 °C ~ +85 °C
- Mating force: 5N~20N
- Unmating force: 8N~20N
- Durability Cycle:10,000 Cycles
- Data transmission rate up to 40Gbp/s
- Waterproof Grade: IP-X8.

A1	A2	A3	A4	A5	A6	A7	A8	A9	A10	A11	A12
GND	TX1+	TX1-	VBUS	CC1	D+	D-	SBU1	VBUS	RX2-	RX2+	GND
First	Second	Second	First	Second	Second	Second	Second	First	Second	Second	First
B12	B11	B10	B9	B8	B7	B6	B5	B4	B3	B2	B1
GND	RX1+	RX1-	VBUS	SBU2	D-	D+	CC2	VBUS	TX2-	TX2+	GND
First	Second	Second	First	Second	Second	Second	Second	First	Second	Second	First

4

NO.	PARTS	MATERIAL	REMARKS
1	MAIN HOUSING	HIGH-TEMP.PLASTIC	BLACK
2	SHELL	STAINLESS STEEL	Ni PLATED
3	SHELL HOUSING	HIGH-TEMP.PLASTIC	BLACK
4	MID PLATE	STAINLESS STEEL	Ni PLATED
5	SOLDER PIN	STAINLESS STEEL	Ni PLATED
6	TERMINALS	COPPER ALLOY C18400	Au PLATING ON CONTACT AREA
7	WATERPROOF RING	SILICA GEL	BLACK

RECOMMENDED PCB LAYOUT TOLERANCE:±0.05



SCALE: 1:1 UNIT: mm  
 SIZE: A4

Unless otherwise  
 General Tolerance:  
 X.x ±0.30  
 X.xx ±0.20  
 X.xxx ±0.10  
 X° ±3°

Title: Horizontal Type-c 24P Female Sink  
 1.45 CH=0.4 L=8.48mm

Molde Code: GT-USB-7026B

DRAWN	CHECKED	APPROVED	DATE
Xia	Chen	Chen	2023.02.01



REV: A0 SHEET: 1/1

5