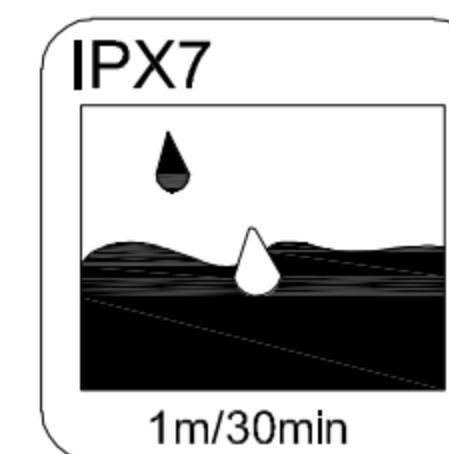
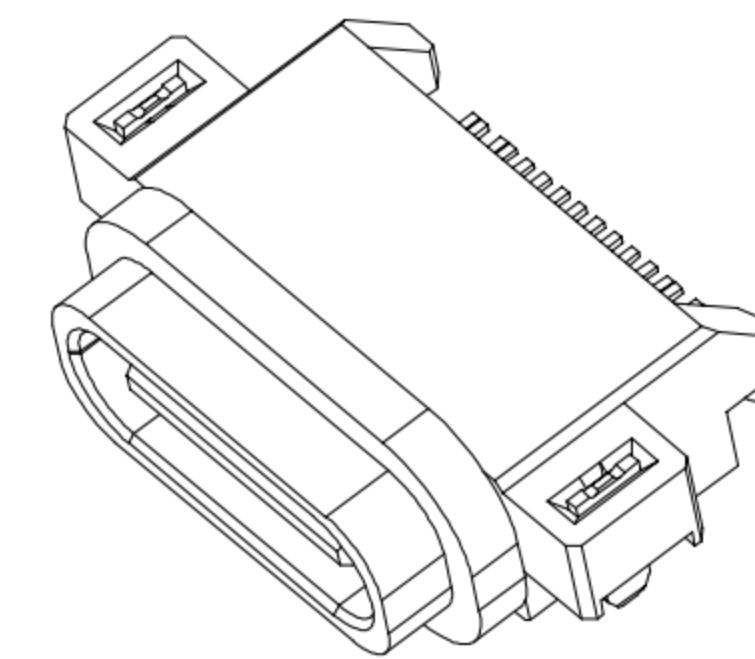
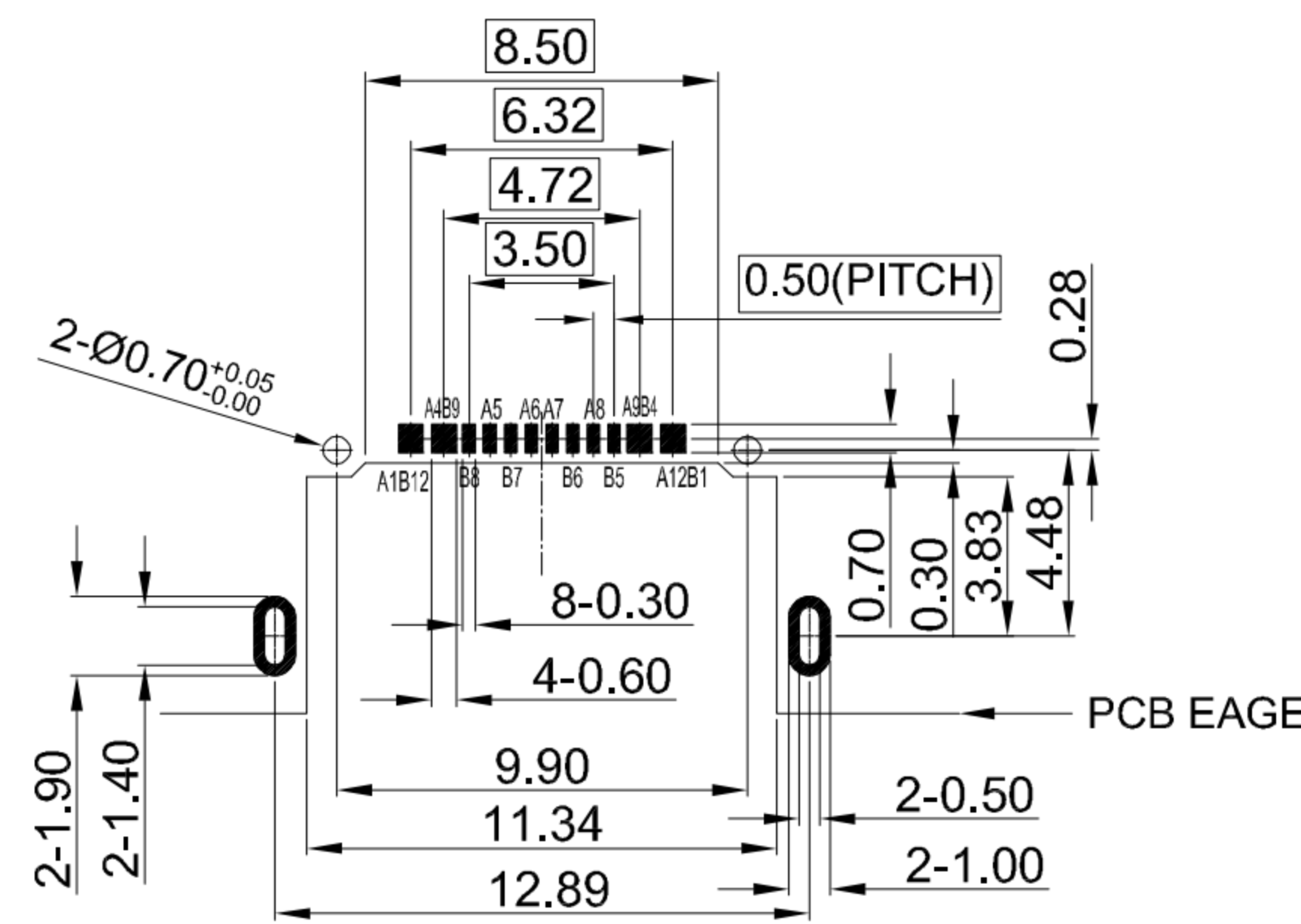
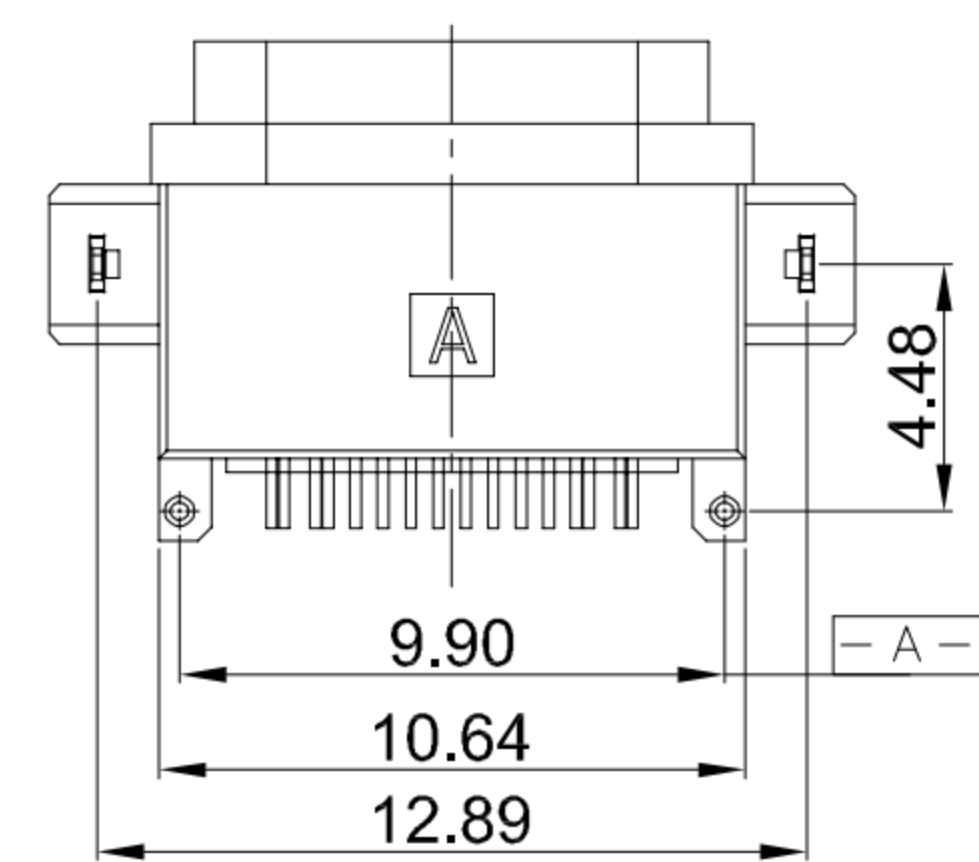


**G-Switch USB-C Specification:**

- 1.Current rated: 5A on vbus/1.25A on vconn/0.25A on other
- 2.Withstanding voltage: 24V AC
- 3.Contact resistance: 40mΩ Max
- 4.Insulation resistance: 100MΩ Min
- 5.Operating temperature: -40°C ~ +85°C
- 6.Mating force: 5N~20N
- 7.Unmating force: 8N~20N
- 8.Durability cycle:10,000 cycles
- 9.Waterproof grade: IP-X7



RECOMMENDED PCB LAYOUT  
TOLERANCE:±0.05

|       |    |    |       |        |        |        |        |       |     |     |       |
|-------|----|----|-------|--------|--------|--------|--------|-------|-----|-----|-------|
| A1    | A2 | A3 | A4    | A5     | A6     | A7     | A8     | A9    | A10 | A11 | A12   |
| GND   |    |    | VBUS  | CC1    | D+     | D-     | SBU1   | VBUS  |     |     | GND   |
| First |    |    | First | Second | Second | Second | Second | First |     |     | First |

|       |     |     |       |        |        |        |        |       |    |    |       |
|-------|-----|-----|-------|--------|--------|--------|--------|-------|----|----|-------|
| B12   | B11 | B10 | B9    | B8     | B7     | B6     | B5     | B4    | B3 | B2 | B1    |
| GND   |     |     | VBUS  | SBU2   | D-     | D+     | CC2    | VBUS  |    |    | GND   |
| First |     |     | First | Second | Second | Second | Second | First |    |    | First |

|     |                 |                          |                            |
|-----|-----------------|--------------------------|----------------------------|
|     | SHELL           | HIGH TEMPERATURE PLASTIC | Black UL 94 V-0            |
| 2   | MIDDLE PLATE    | STAINLESS STEEL          | --                         |
| 3   | HOUSING         | HIGH TEMPERATURE PLASTIC | Black UL 94 V-0            |
| 4   | TERMINALS       | COPPER ALLOY             | Au PLATING ON CONTACT AREA |
| 5   | WATERPROOF RING | SILICA GEL               |                            |
| NO. | PARTS           | MATERIAL                 | REMARKS                    |



|                                     |          |
|-------------------------------------|----------|
| SCALE: 1:1                          | UNIT: mm |
| SIZE: A4                            |          |
| Unless otherwise General Tolerance: |          |
| X.                                  | ±0.25    |
| X.x                                 | ±0.20    |
| X.xx                                | ±0.15    |
| X.xxx                               | ±0.10    |
| X°                                  | ±5°      |

|   |         |          |            |
|---|---------|----------|------------|
| Title: Horizontal Type-c 16P Female Sink1.65 CH=0.35 L=9.08mm |         |          |            |
| Molde Code: GT-USB-7023A                                      |         |          |            |
| DRAWN   | CHECKED | APPROVED | DATE       |
| Xia   | Chen    | Chen     | 2023.02.01 |



REV: A0 SHEET: 1/1