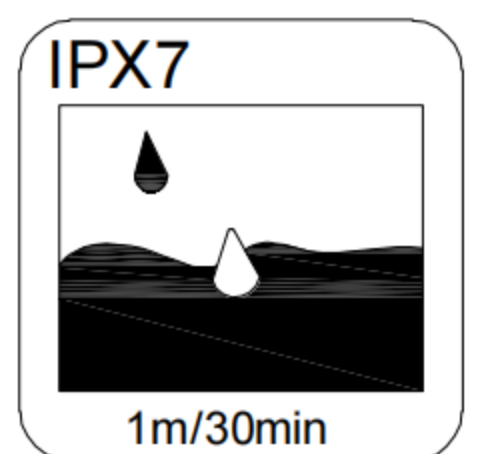
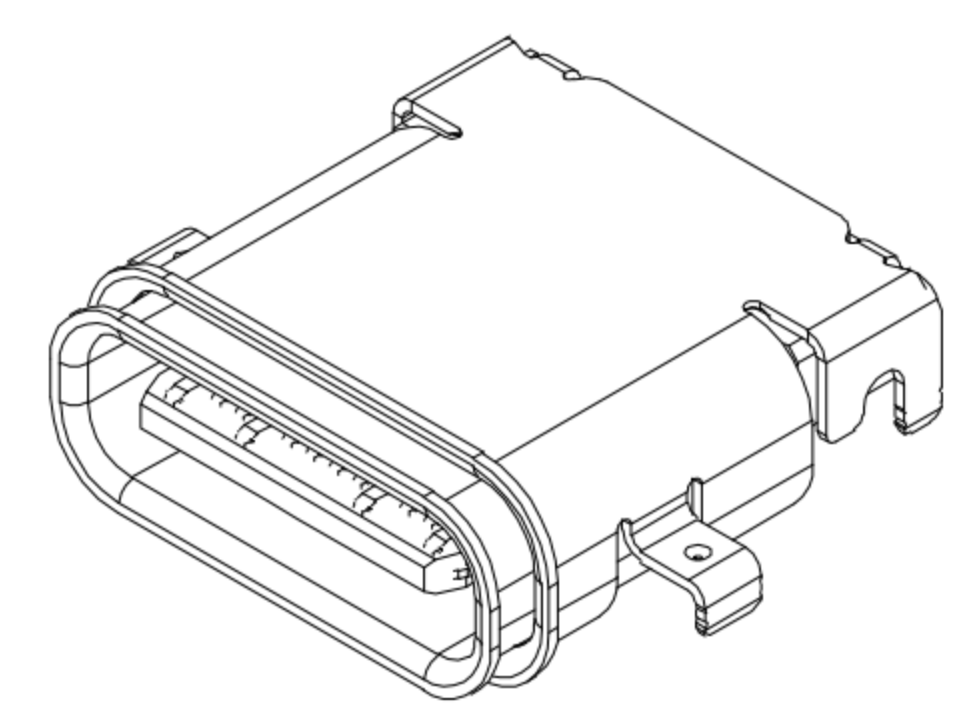
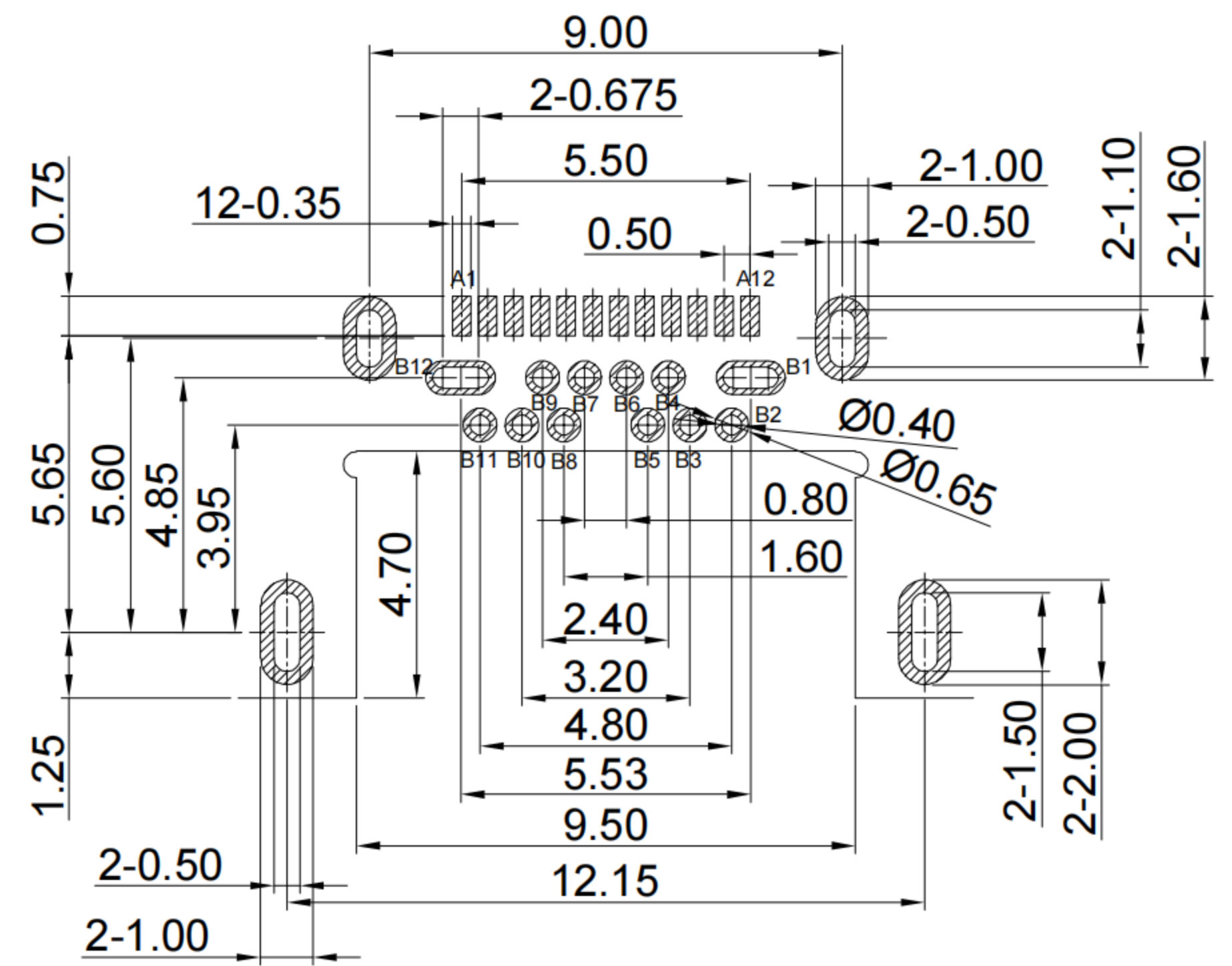
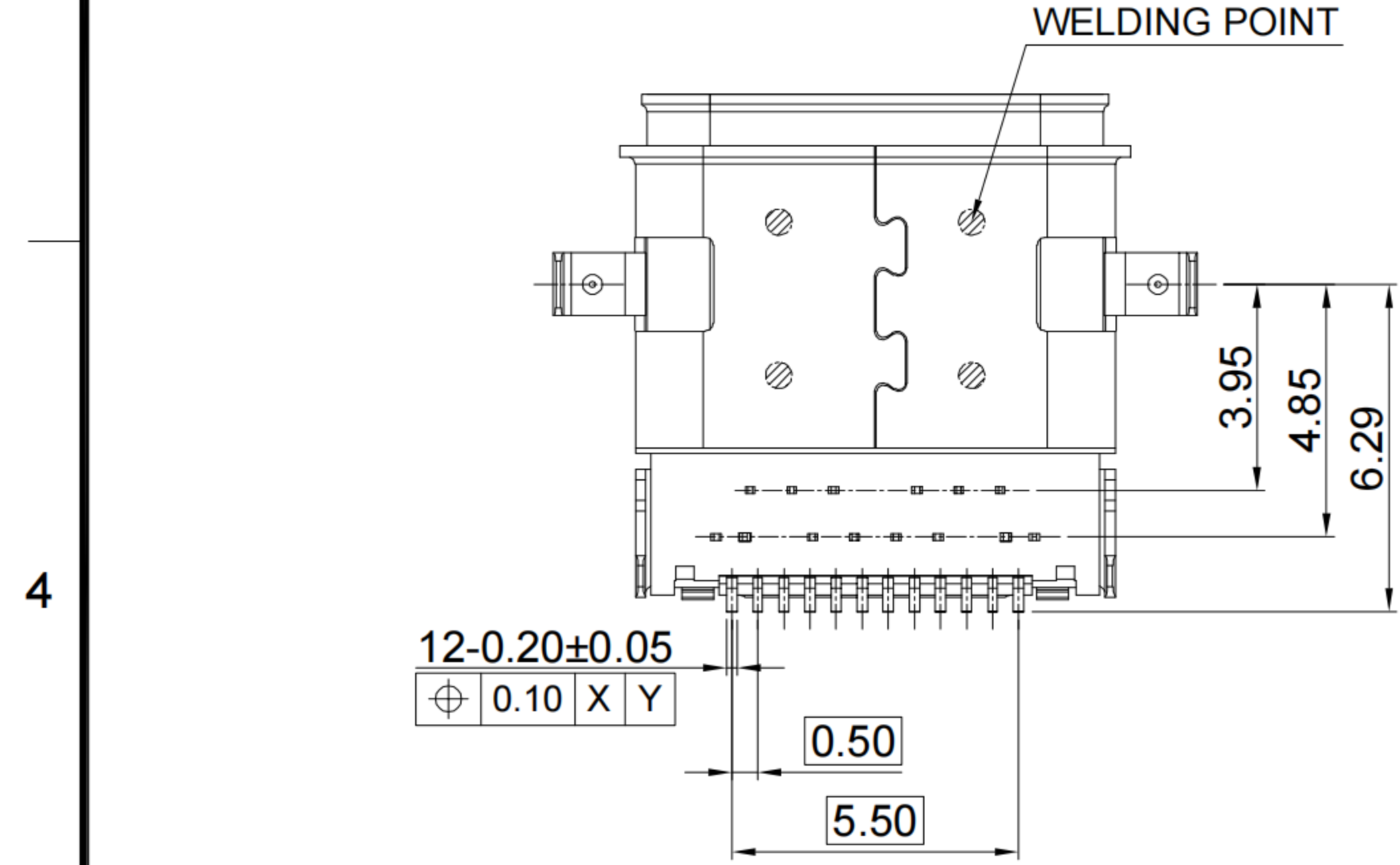


G-Switch USB-C Specification:

1. Current rated: 5A on vbus/1.25A on vconn/0.25A on other
2. Voltage rating: 24V AC
3. Withstanding voltage: 100V AC/minute
4. Contact resistance: 40mΩ Max
5. Insulation resistance: 100MΩ Min
6. Operating temperature: -40°C ~ +85°C
7. Mating force: 5N~20N
8. Unmating force: 8N~20N
9. Durability cycle: 10,000 cycles
10. Data transmission rate up to 5Gbps
11. Waterproof grade: IP-X7.



A1	A2	A3	A4	A5	A6	A7	A8	A9	A10	A11	A12
GND	TX1+	TX1-	VBUS	CC1	D+	D-	SBU1	VBUS	RX2-	RX2+	GND
First	Second	Second	First	Second	Second	Second	Second	First	Second	Second	First
B12	B11	B10	B9	B8	B7	B6	B5	B4	B3	B2	B1
GND	RX1+	RX1-	VBUS	SBU2	D-	D+	CC2	VBUS	TX2-	TX2+	GND
First	Second	Second	First	Second	Second	Second	Second	First	Second	Second	First

1	COVER SHELL	STAINLESS STEEL	Ni PLATED
2	SHELL	STAINLESS STEEL	Ni PLATED
3	GND PLATE	STAINLESS STEEL	---
4	MID PLATE	STAINLESS STEEL	Ni PLATED
5	HOUSING	HIGH TEMPERATURE PLASTIC	BLACK UL 94 V-0
6	TERMINALS	COPPER ALLOY C7025	Au15u ¹ PLATING ON CONTACT AREA
7	WATERPROOF RING	EPOXY	Black
NO.	PARTS	MATERIAL	REMARKS

RECOMMENDED PCB LAYOUT
TOLERANCE: ±0.05

Pb Process Capable

RoHS Compliant
EU RoHS Standards

HALOGEN Compliant
Halogen Free

SCALE: 1:1 UNIT: mm

SIZE: A4

Unless otherwise General Tolerance:
 X. ±0.25
 X.x ±0.20
 X.xx ±0.15
 X.xxx ±0.10
 X° ±5°

Title: Horizontal Type-c 24P Female
SMT Sink 1.4 CH=0.3 L=9.65mm

Molde Code: GT-USB-7021B

DRAWN	CHECKED	APPROVED	DATE
Xia	Chen	Chen	2023.02.01



REV: A0 SHEET: 1/2

A

B

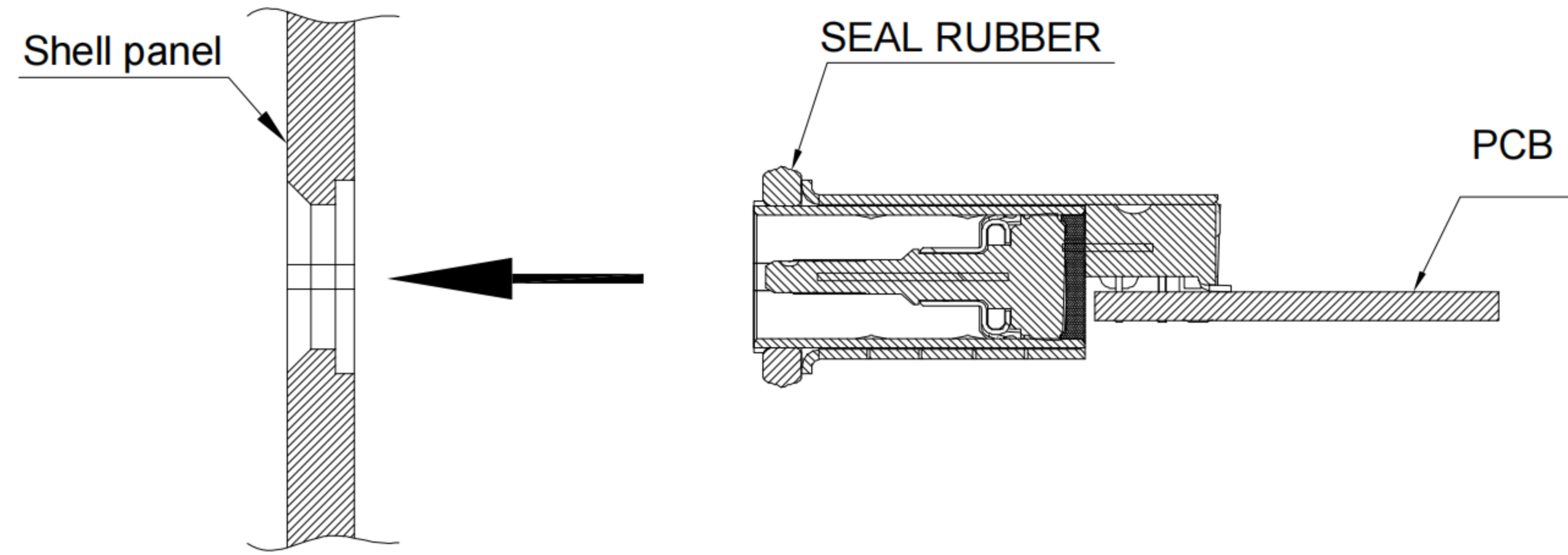
C

D

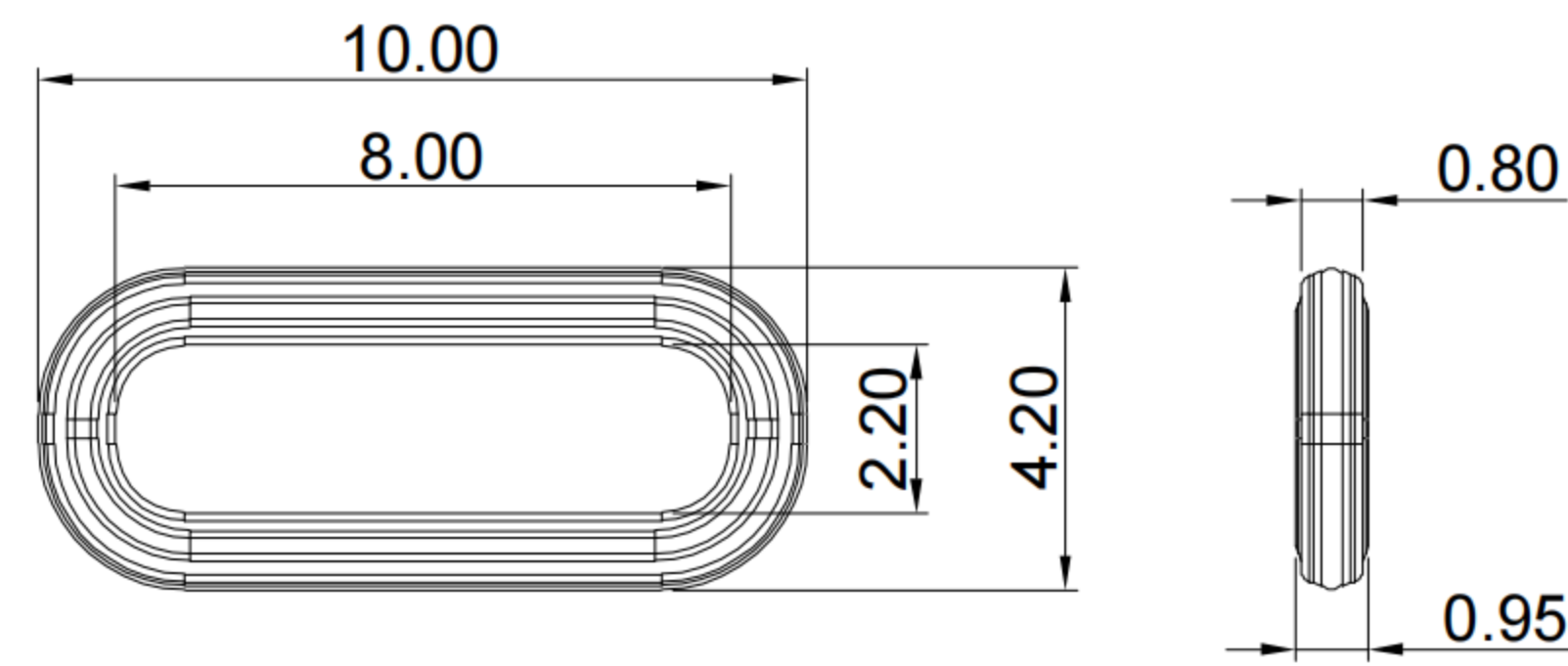
E

1

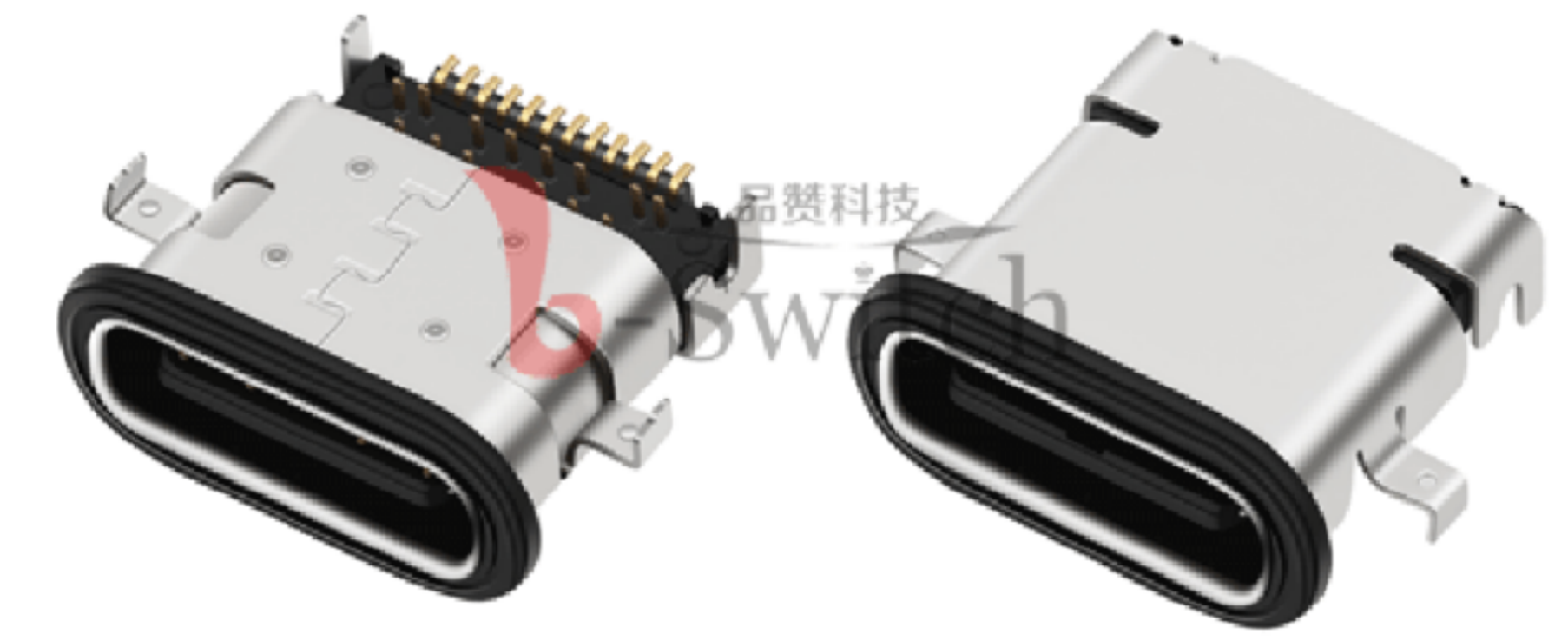
Sealed Way



Front and back assembly mode



Seal rubber for reference

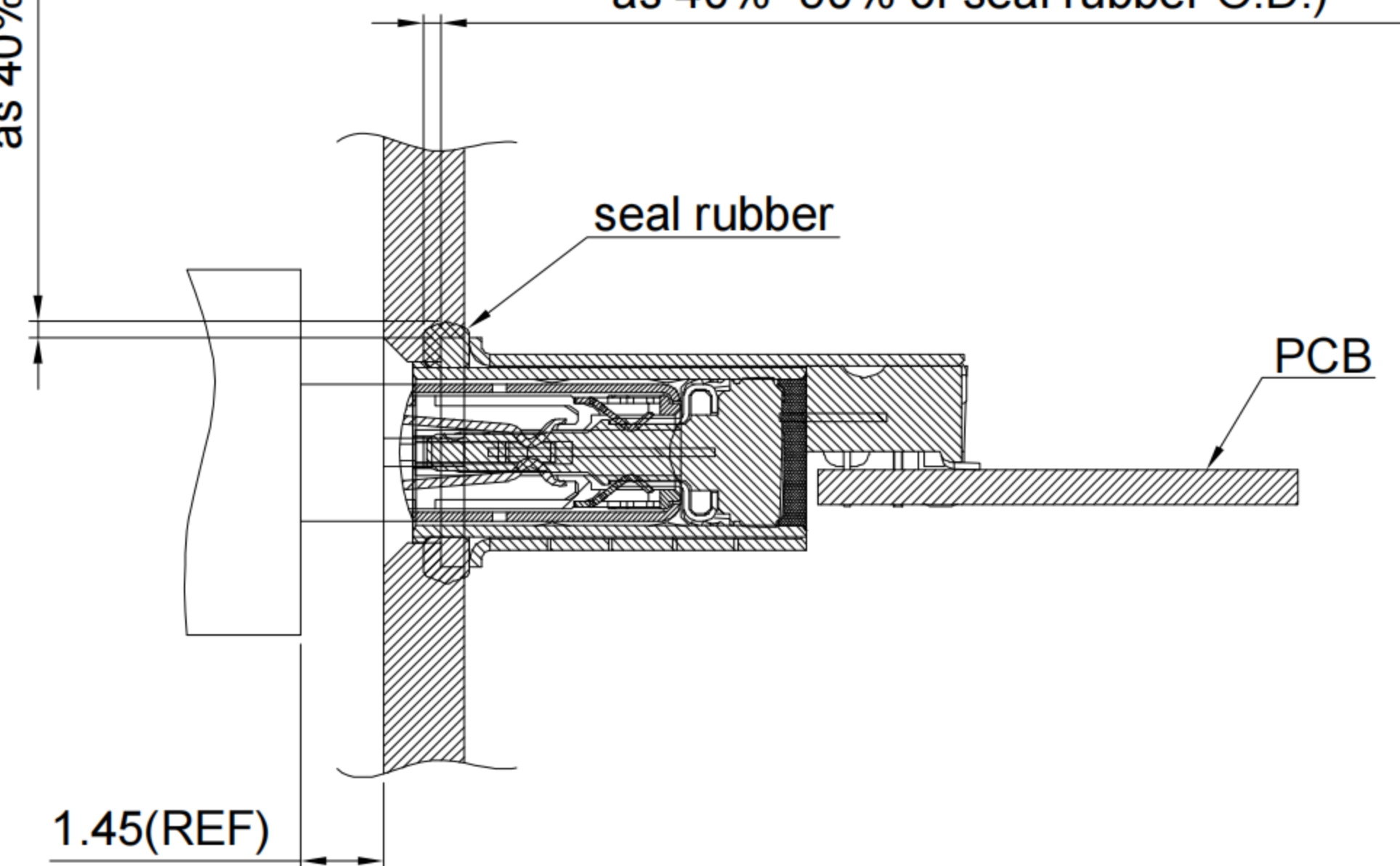


2

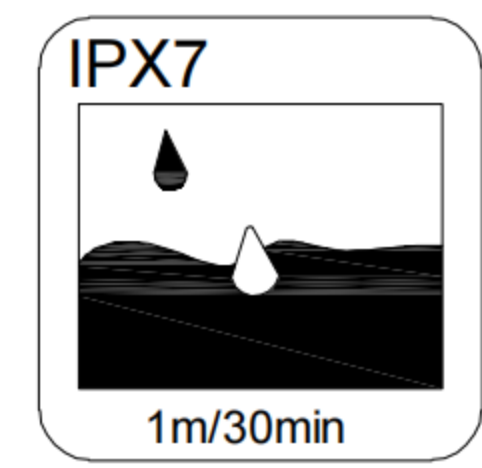
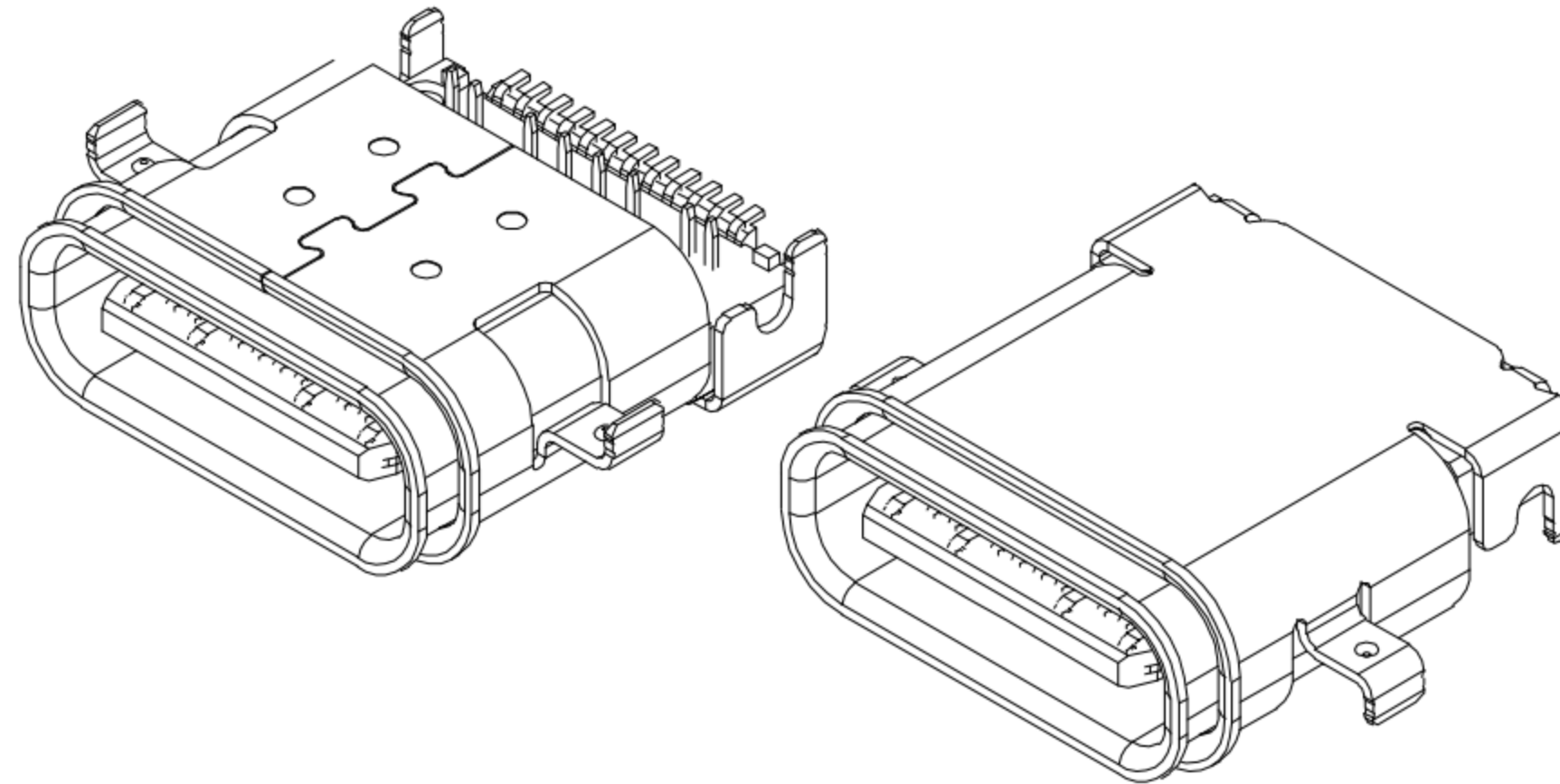
3

Space(Panel with seal rubber)0.30Min
(The amount of compression is recommende
as 40%~50% of seal rubber O.D.)

Space(Panel with seal rubber)0.30Min
(The amount of compression is recommende
as 40%~50% of seal rubber O.D.)



Recommended assembly



G-Switch USB-C Specification:

- 1.Current rated: 5A on vbus/1.25A on vconn/0.25A on other
Voltage rating: 24V AC
- 2.Withstanding voltage: 100V AC/minute
- 3.Contact resistance: 40mΩ Max
- 4.Insulation resistance: 100MΩ Min
- 5.Operating temperature: -40°C ~ +85°C
- 6.Mating force: 5N~20N
- 7.Unmating force: 8N~20N
- 8.Durability cycle:10,000 cycles
- 9.Data transmission rate up to 5Gbp/s
- 10.Waterproof grade: IP-X7.

A1	A2	A3	A4	A5	A6	A7	A8	A9	A10	A11	A12
GND	TX1+	TX1-	VBUS	CC1	D+	D-	SBU1	VBUS	RX2-	RX2+	GND
First	Second	Second	First	Second	Second	Second	Second	First	Second	Second	First
B12	B11	B10	B9	B8	B7	B6	B5	B4	B3	B2	B1
GND	RX1+	RX1-	VBUS	SBU2	D-	D+	CC2	VBUS	TX2-	TX2+	GND
First	Second	Second	First	Second	Second	Second	Second	First	Second	Second	First

5



SCALE: 1:1	UNIT: mm	Title: Horizontal Type-c 24P Female SMT Sink1.4 CH=0.3 L=9.65mm	
SIZE: A4		Molde Code: GT-USB-7021B	
Unless otherwise General Tolerance:		DRAWN	CHECKED
X.	±0.25	Xia	Chen
X.x	±0.20	APPROVED	DATE
X.xx	±0.15	Chen	2023.02.01
X.xxx	±0.10		
X°	±5°		



REV: A0 SHEET: 2/2