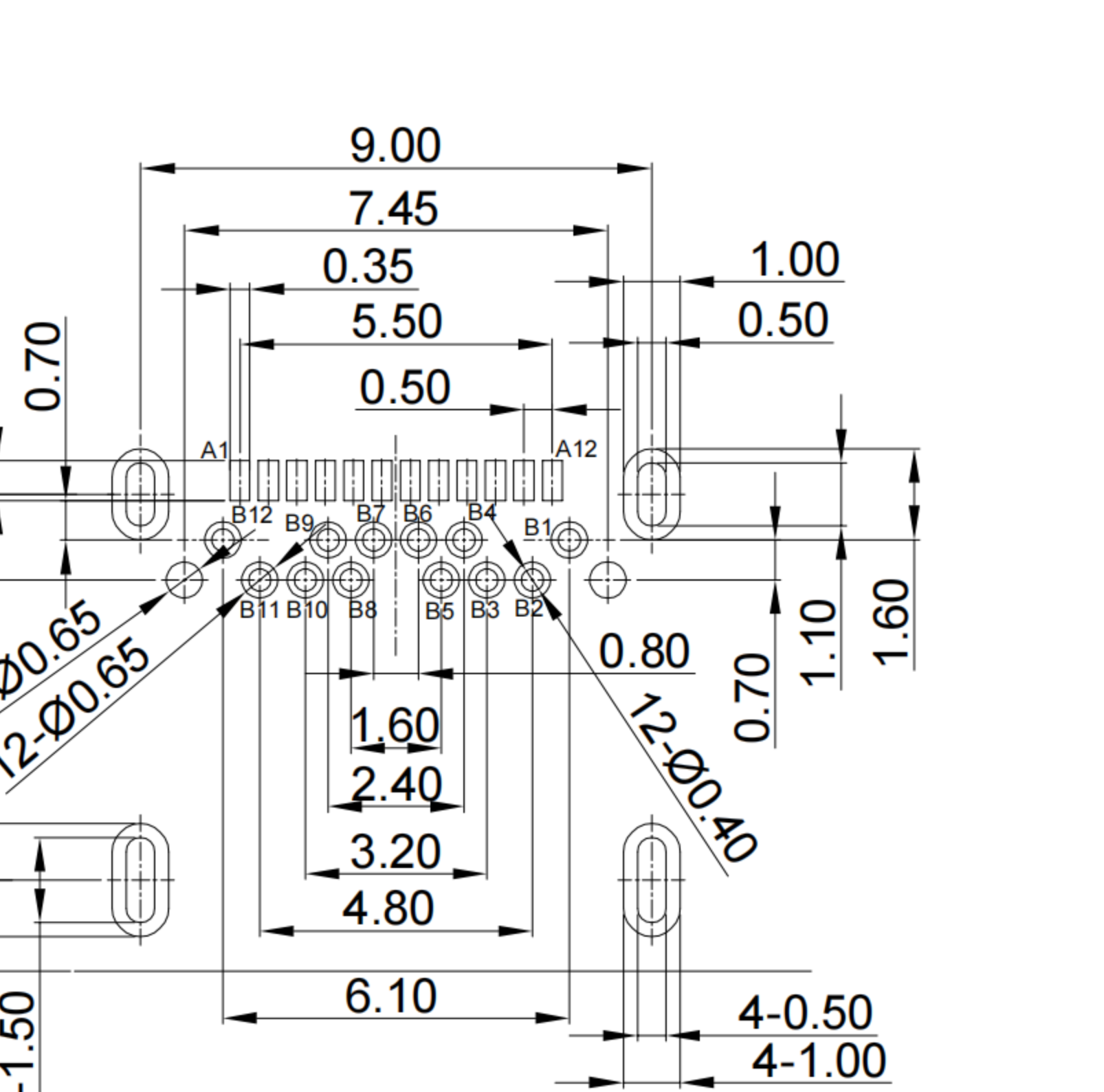
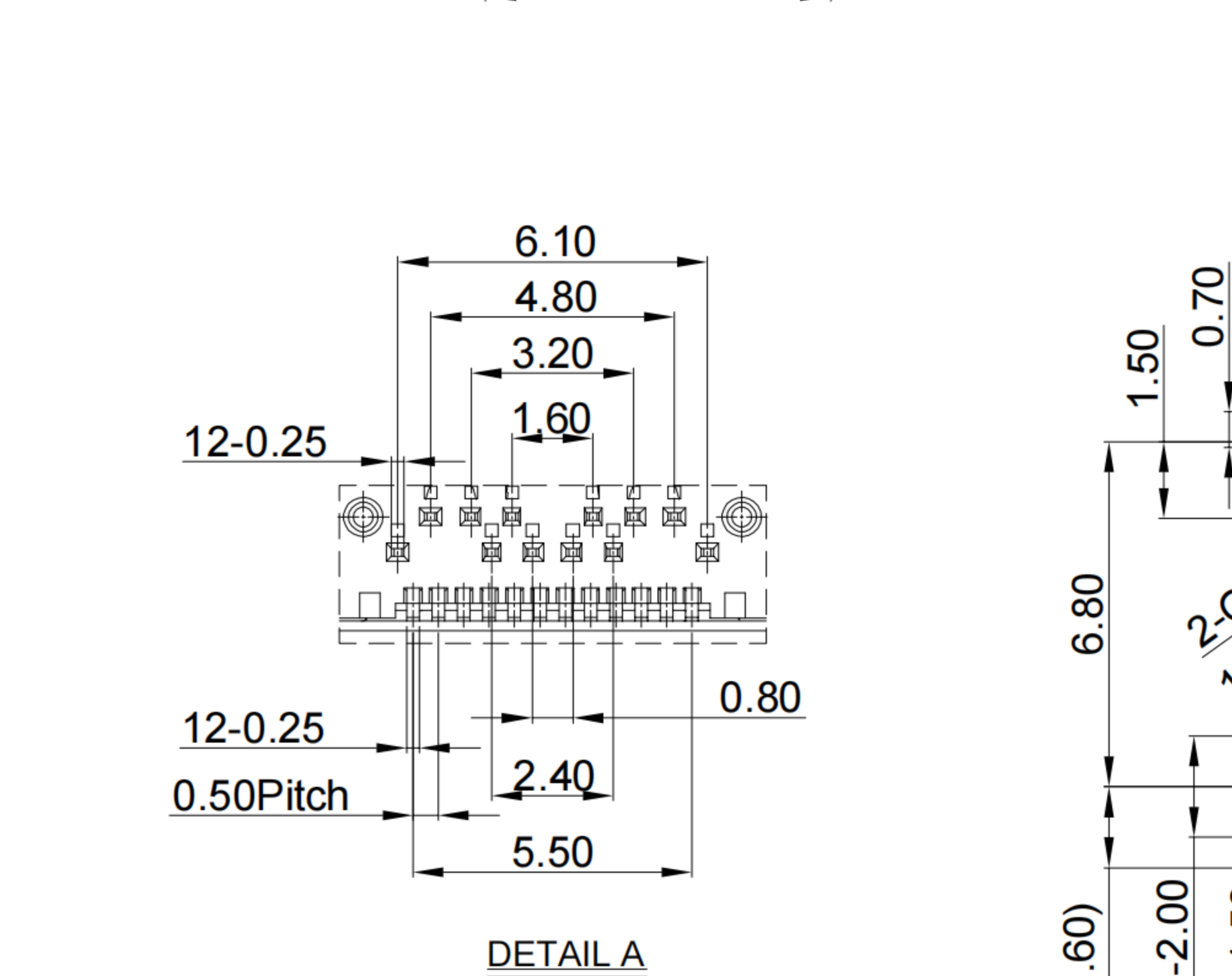
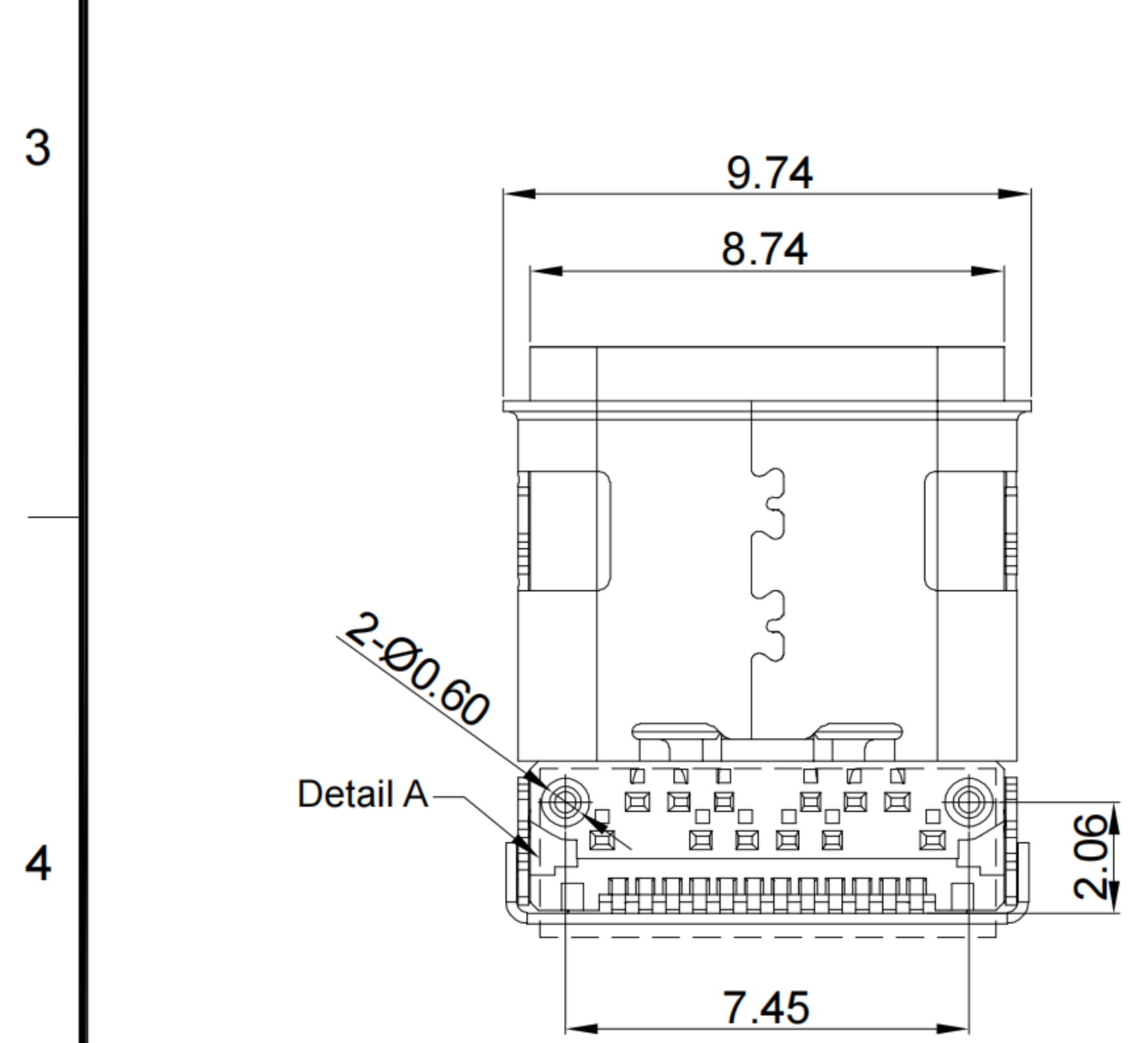


G-Switch USB-C Specification:

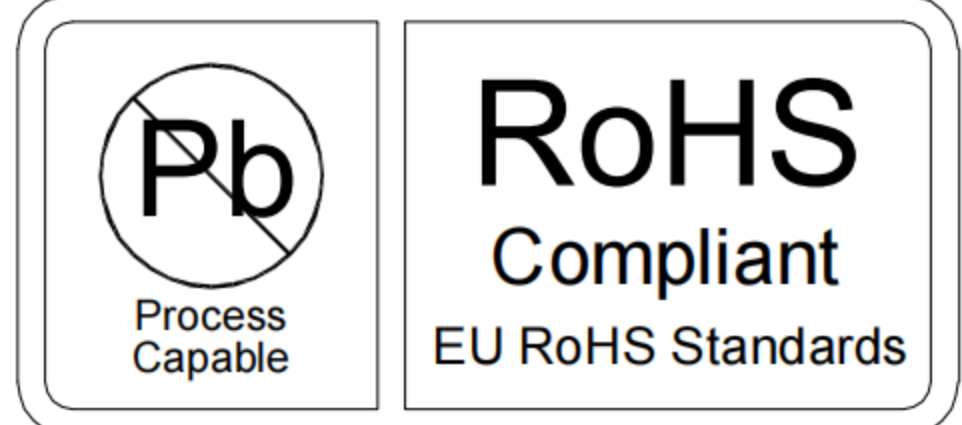
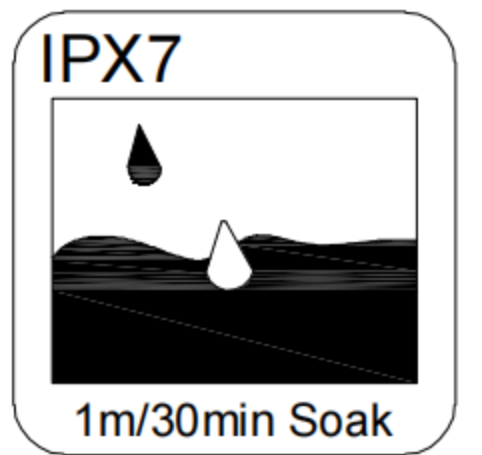
1. Current rated: 5A on vbus/1.25A on vconn/0.25A on other
2. Voltage rating: 24V AC
3. Withstanding voltage: 100V AC/minute
4. Contact resistance: 40mΩ Max
5. Insulation resistance: 100MΩ Min
6. Operating temperature: -40°C ~ +85°C
7. Mating force: 5N~20N
8. Unmating force: 8N~20N
9. Durability cycle: 10,000 cycles
10. Data transmission rate up to 5Gbps
11. Waterproof grade: IP-X7



| | | | | | | | | | | | |
|-------|--------|--------|-------|--------|--------|--------|--------|-------|--------|--------|-------|
| A1 | A2 | A3 | A4 | A5 | A6 | A7 | A8 | A9 | A10 | A11 | A12 |
| GND | TX1+ | TX1- | VBUS | CC1 | D+ | D- | SBU1 | VBUS | RX2- | RX2+ | GND |
| First | Second | Second | First | Second | Second | Second | Second | First | Second | Second | First |
| B12 | B11 | B10 | B9 | B8 | B7 | B6 | B5 | B4 | B3 | B2 | B1 |
| GND | RX1+ | RX1- | VBUS | SBU2 | D- | D+ | CC2 | VBUS | TX2- | TX2+ | GND |
| First | Second | Second | First | Second | Second | Second | Second | First | Second | Second | First |

RECOMMENDED PCB LAYOUT
TOLERANCE:±0.05

| | | | |
|-----|-----------------|--------------------------|----------------------------|
| 1 | COVER SHELL | STAINLESS STEEL | NI PLATED |
| 2 | SHELL | STAINLESS STEEL | NI PLATED |
| 3 | GND PLATE | STAINLESS STEEL | --- |
| 4 | MID PLATE | STAINLESS STEEL | NI PLATED |
| 5 | HOUSING | HIGH TEMPERATURE PLASTIC | Black UL 94 V-0 |
| 6 | TERMINALS | COPPER ALLOY | Au PLATING ON CONTACT AREA |
| 7 | WATERPROOF RING | SILICA GEL | Black |
| NO. | PARTS | MATERIAL | REMARKS |

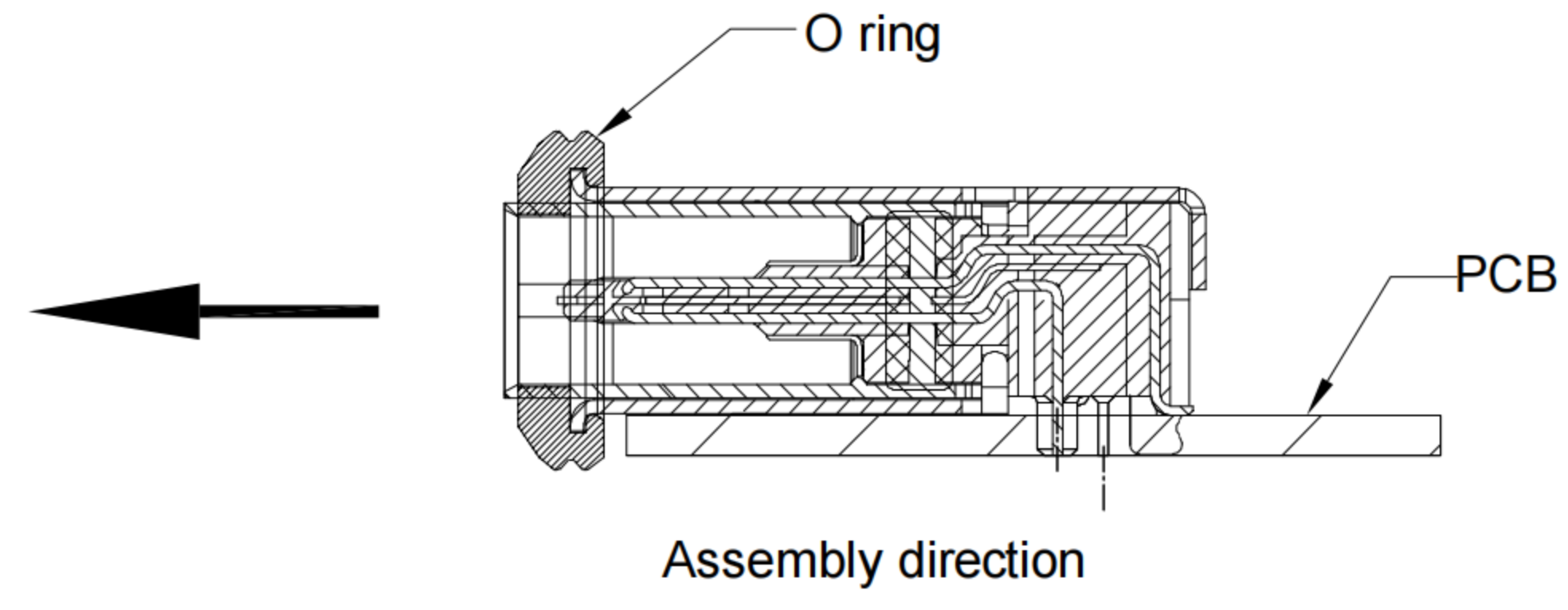
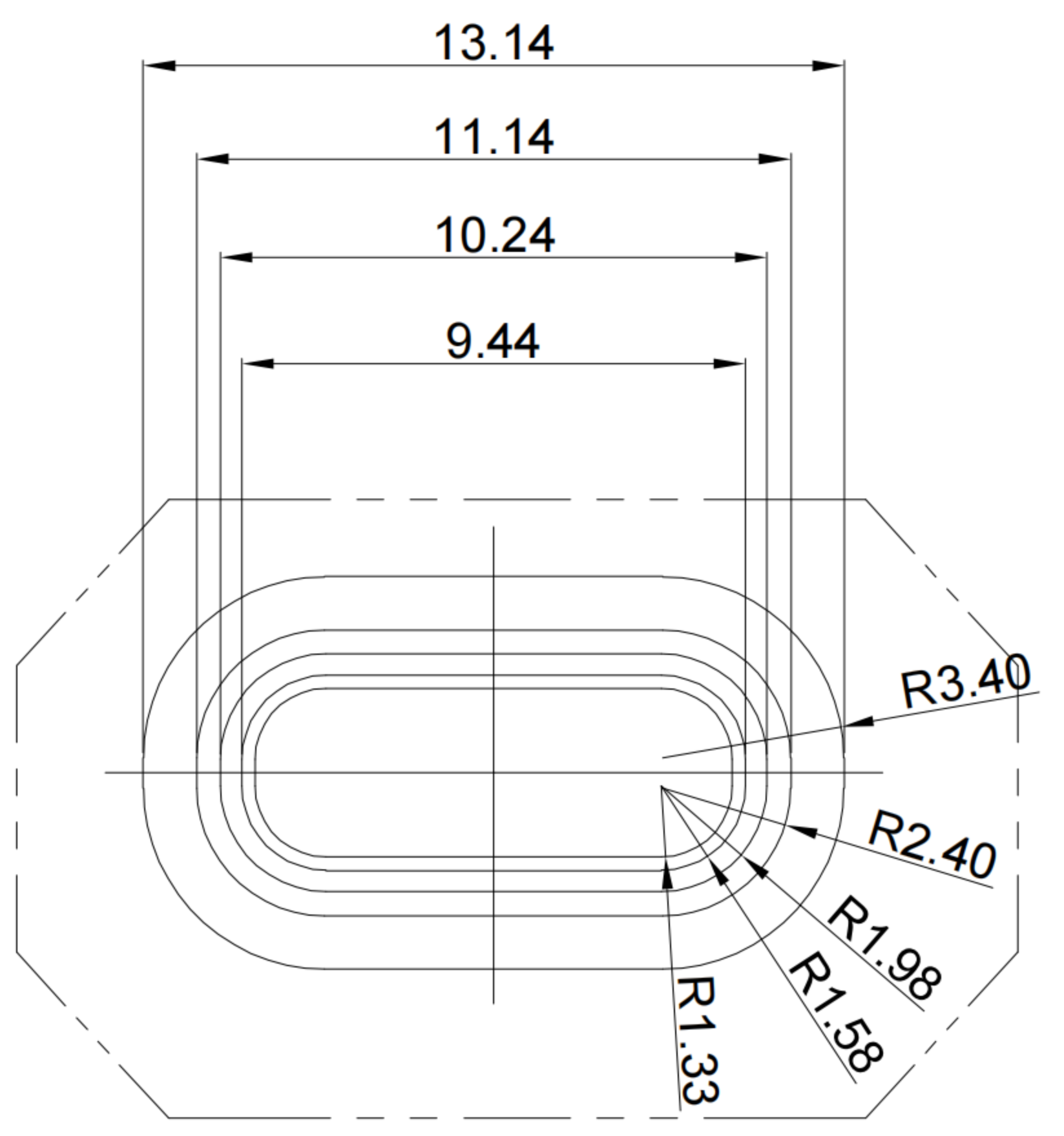
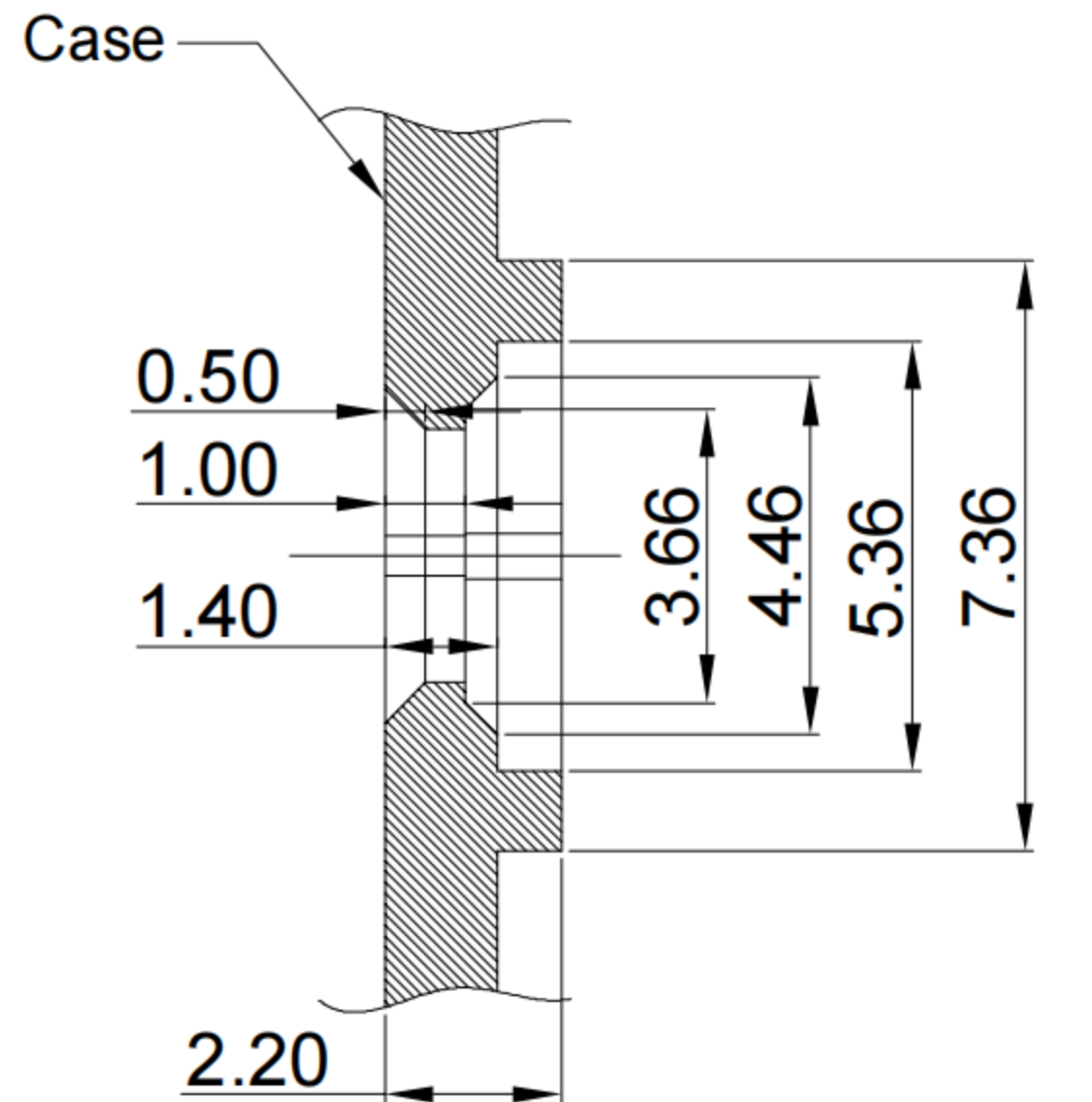
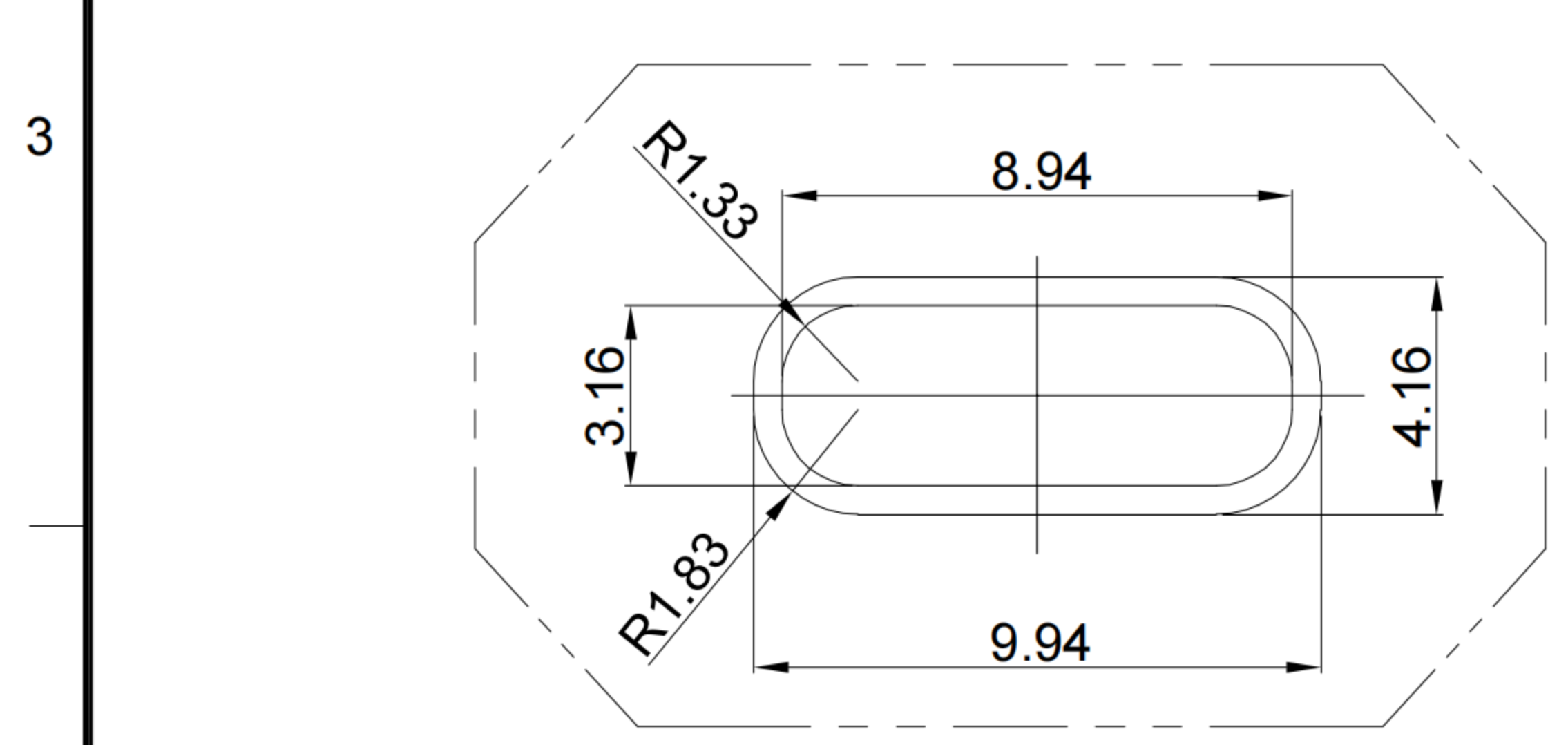
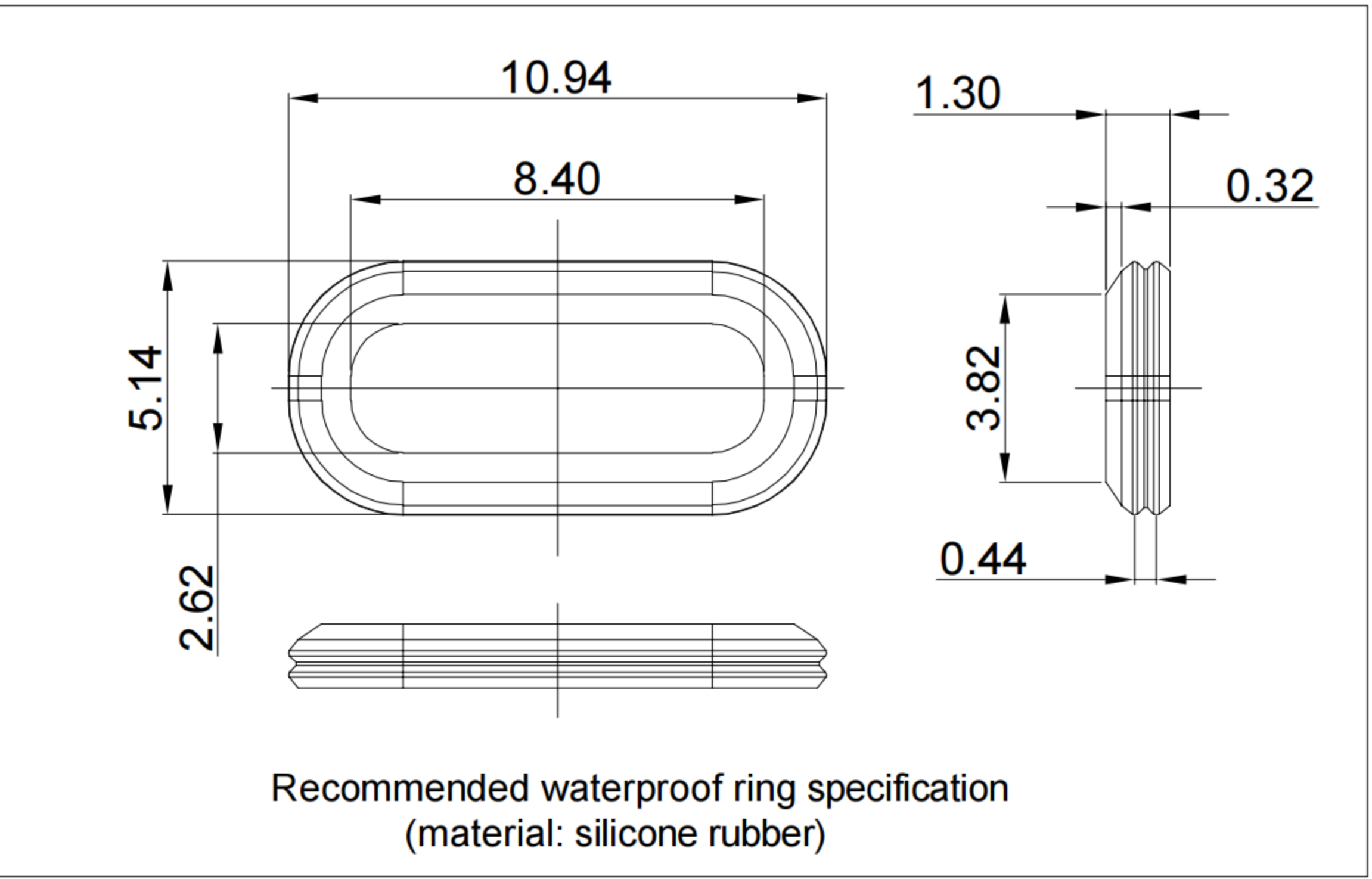
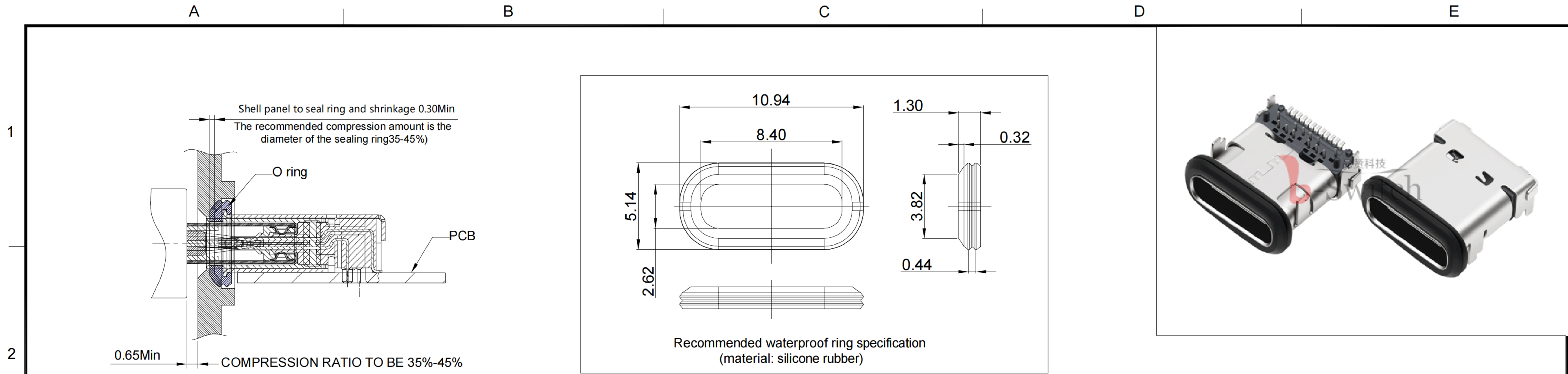


| | |
|-------------------------------------|----------|
| SCALE: 1:1 | UNIT: mm |
| SIZE: A4 | |
| Unless otherwise General Tolerance: | |
| X. | ±0.25 |
| X.x | ±0.20 |
| X.xx | ±0.15 |
| X.xxx | ±0.10 |
| X° | ±5° |

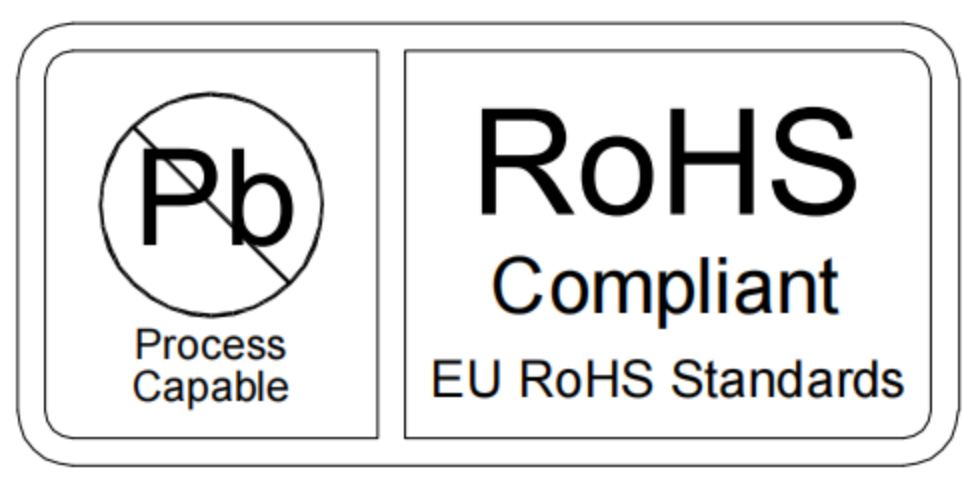
| | | | |
|---|---------|----------|------------|
| Title: Horizontal Type-c 24P Female SMT CH=1.75 L=10.65mm | | | |
| Molde Code: GT-USB-7020A | | | |
| DRAWN | CHECKED | APPROVED | DATE |
| Xia | Chen | Chen | 2023.02.01 |



| | |
|---------|------------|
| REV: A0 | SHEET: 1/1 |
|---------|------------|



RECOMMENDED OPEN DIMENSION OF CASE
TOLERANCE: ±0.03mm
MATTING AREA WITH SEALING RING



| | |
|-------------------------------------|----------|
| SCALE: 3:1 | UNIT: mm |
| SIZE: A4 | |
| Unless otherwise General Tolerance: | |
| X. | ±0.25 |
| X.x | ±0.20 |
| X.xx | ±0.15 |
| X.xxx | ±0.10 |
| X° | ±5° |

| | | | |
|---|---------|----------|------------|
| Title: Horizontal Type-c 24P Female SMT CH=1.75 L=10.65mm | | | |
| Molde Code: GT-USB-7020A | | | |
| DRAWN | CHECKED | APPROVED | DATE |
| Xia | Chen | Chen | 2023.02.01 |

品赞科技®
b-Switch
www.dg-switch.com

REV: A0 SHEET: 2/2