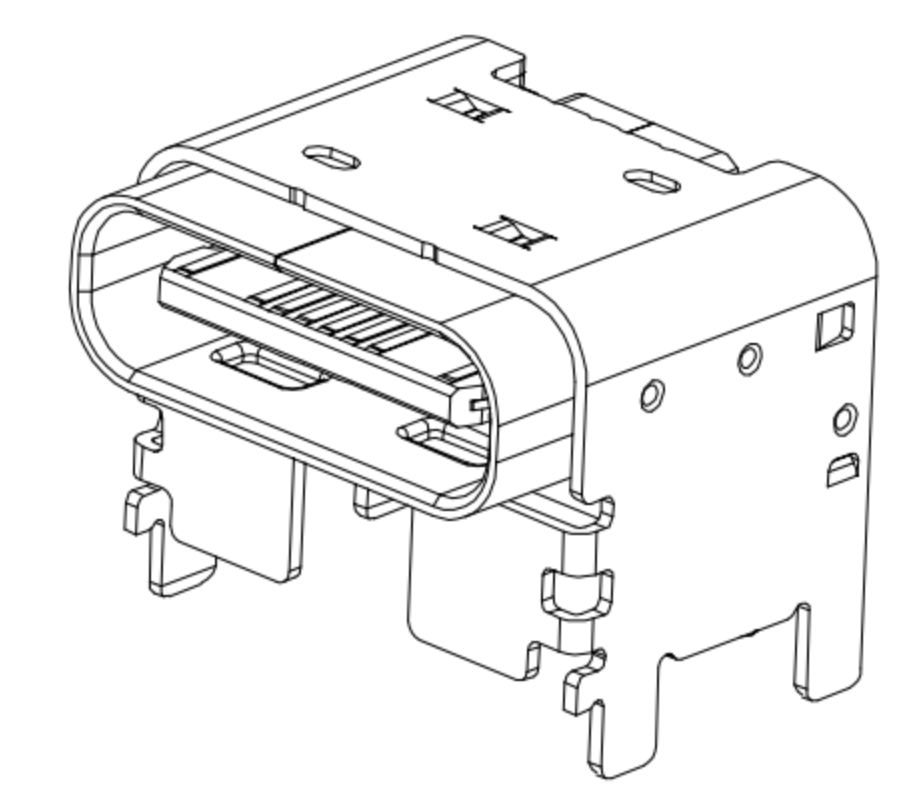
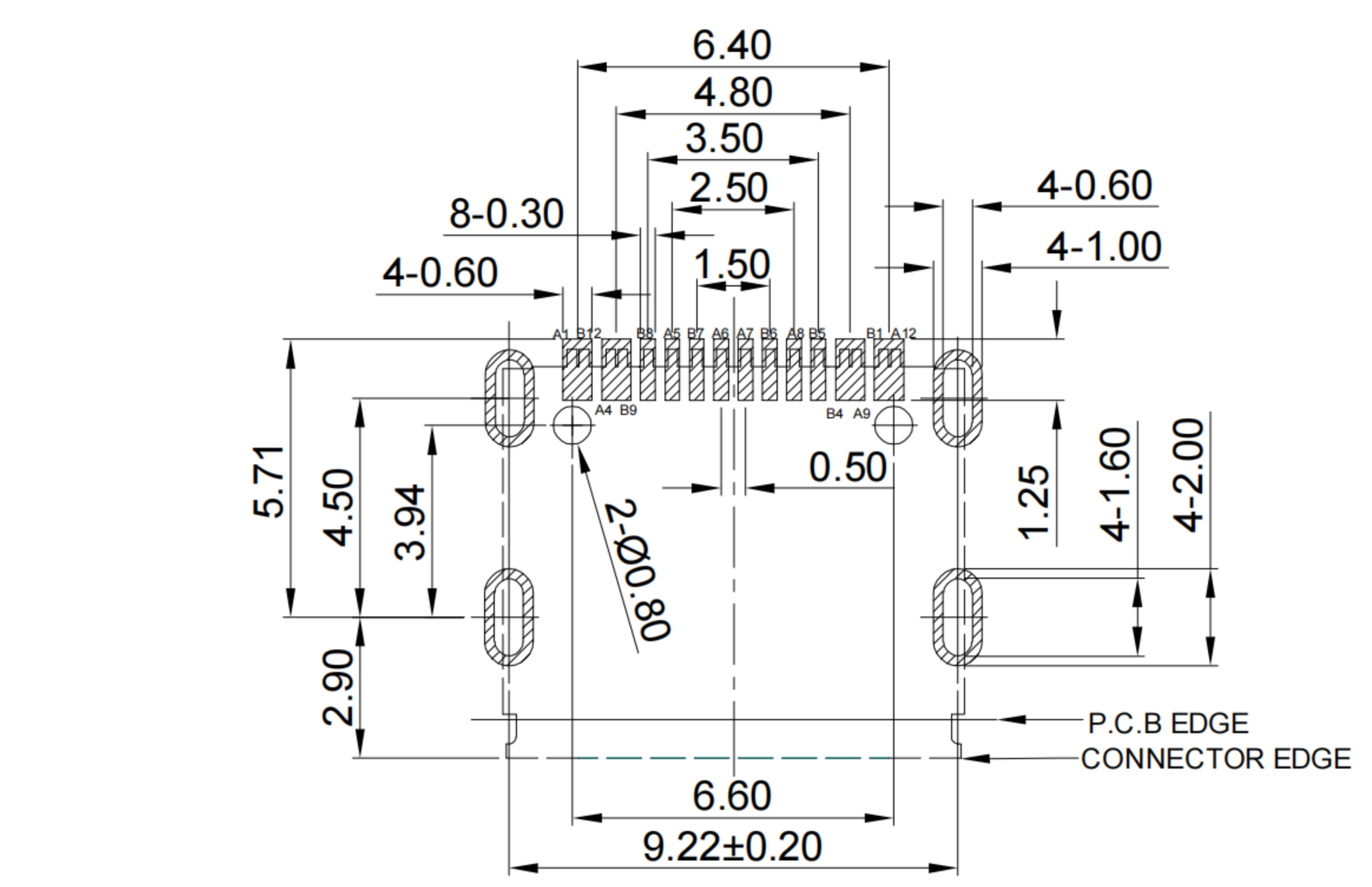
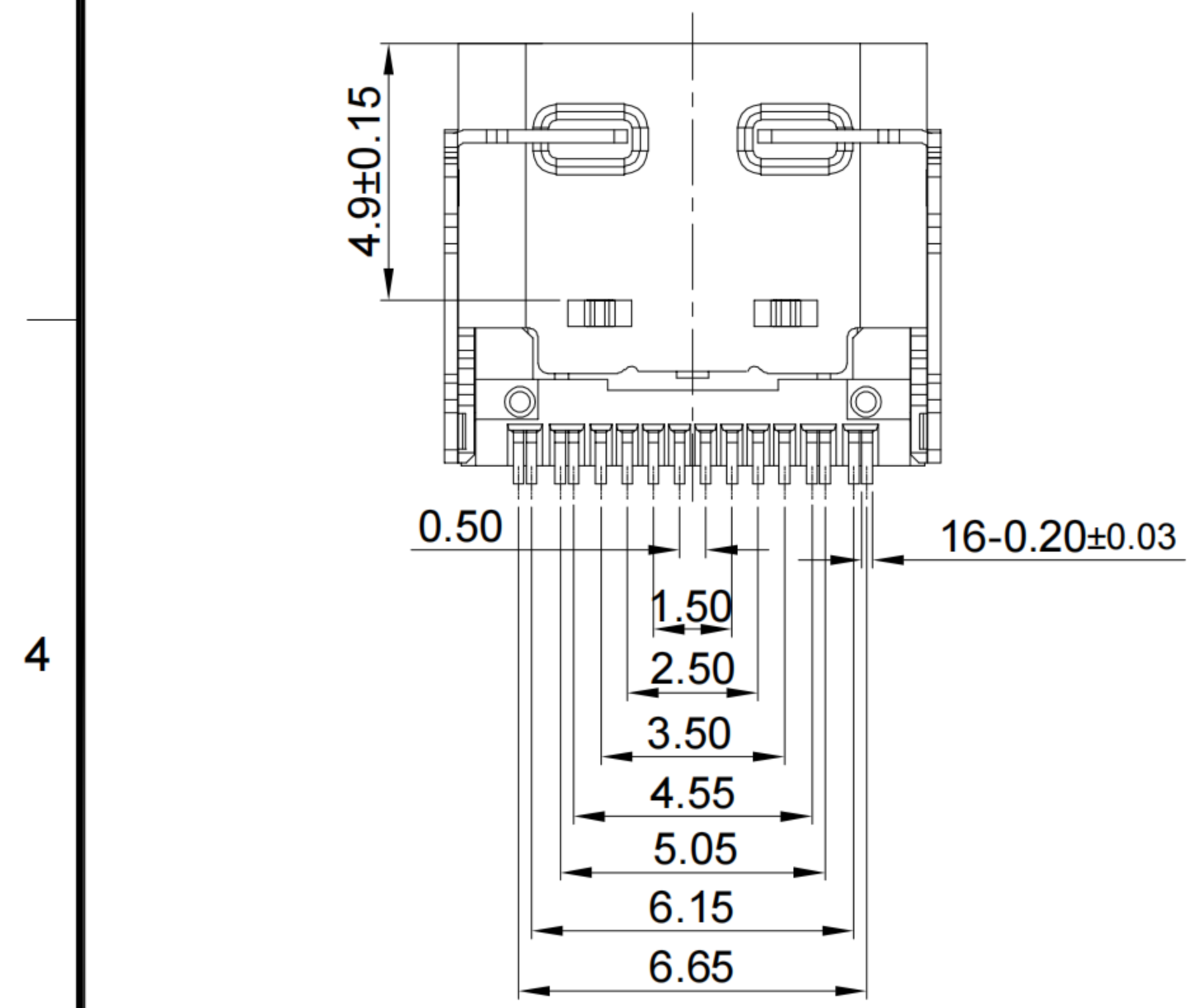


G-Switch USB-C Specification:

1. Current rated: 5A on vbus/1.25A on vconn/0.25A on other
2. Voltage rating: 24V AC
3. Withstanding voltage: 100V AC/minute
4. Contact resistance: 40mΩ Max
5. Insulation resistance: 100MΩ Min
6. Operating temperature: -40°C ~ +85°C
7. Mating force: 5N~20N
8. Unmating force: 8N~20N
9. Durability cycle: 10,000 cycles



| | | | | | | | | | | | |
|-------|----|----|-------|--------|--------|--------|--------|-------|-----|-----|-------|
| A1 | A2 | A3 | A4 | A5 | A6 | A7 | A8 | A9 | A10 | A11 | A12 |
| GND | | | VBUS | CC1 | D+ | D- | SBU1 | VBUS | | | GND |
| First | | | First | Second | Second | Second | Second | First | | | First |

| | | | | | | | | | | | |
|-------|-----|-----|-------|--------|--------|--------|--------|-------|----|----|-------|
| B12 | B11 | B10 | B9 | B8 | B7 | B6 | B5 | B4 | B3 | B2 | B1 |
| GND | | | VBUS | SBU2 | D- | D+ | CC2 | VBUS | | | GND |
| First | | | First | Second | Second | Second | Second | First | | | First |

RECOMMENDED PCB LAYOUT
TOLERANCE:±0.05

| | | | |
|-----|-------------|--------------------------|----------------------------|
| 1 | HOUSING | HIGH TEMPERATURE PLASTIC | PA9T BLACK UL 94 V-0 |
| 2 | TERMINALS | COPPER ALLOY C7025 | Au PLATING ON CONTACT AREA |
| 3 | MID PLATE | STAINLESS STEEL301 | CLEAR NO PLATED |
| 4 | INNER SHELL | STAINLESS STEEL304 | FLASH Ni PLATED |
| 5 | OUTER SHELL | STAINLESS STEEL304 | MATTE Ni PLATED |
| NO. | PARTS | MATERIAL | REMARKS |



| | |
|-------------------------------------|----------|
| SCALE: 1:1 | UNIT: mm |
| SIZE: A4 | |
| Unless otherwise General Tolerance: | |
| X. | ±0.25 |
| X.x | ±0.20 |
| X.xx | ±0.15 |
| X.xxx | ±0.10 |
| X° | ±5° |

| | | | |
|--|---------|----------|------------|
| Title: Horizontal Type-c 16P Female SMT CH=4.8 L=8.0mm | | | |
| Molde Code: GT-USB-7016F | | | |
| DRAWN | CHECKED | APPROVED | DATE |
| Xia | Chen | Chen | 2023.02.01 |



REV: A0 SHEET: 1/1