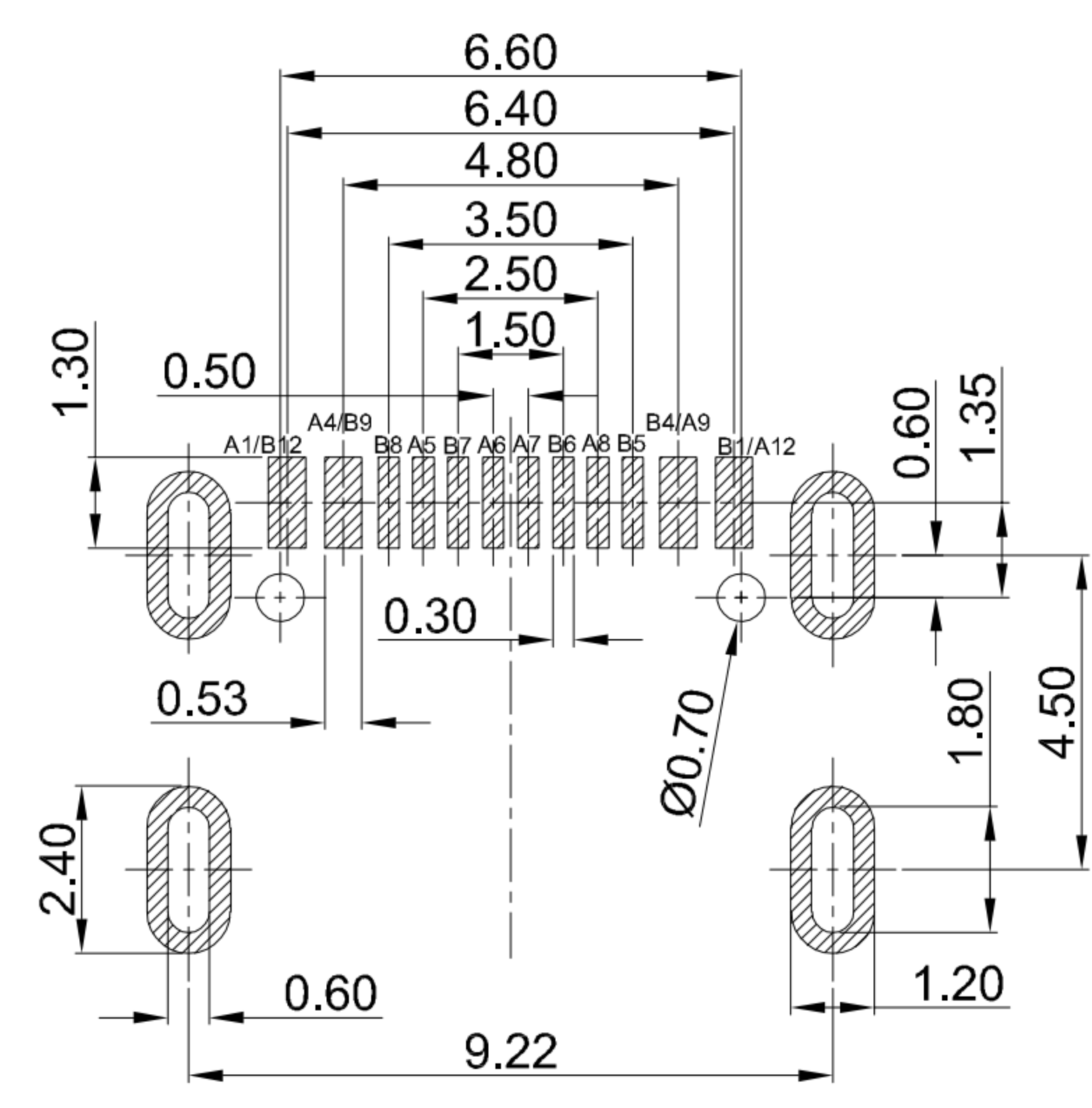
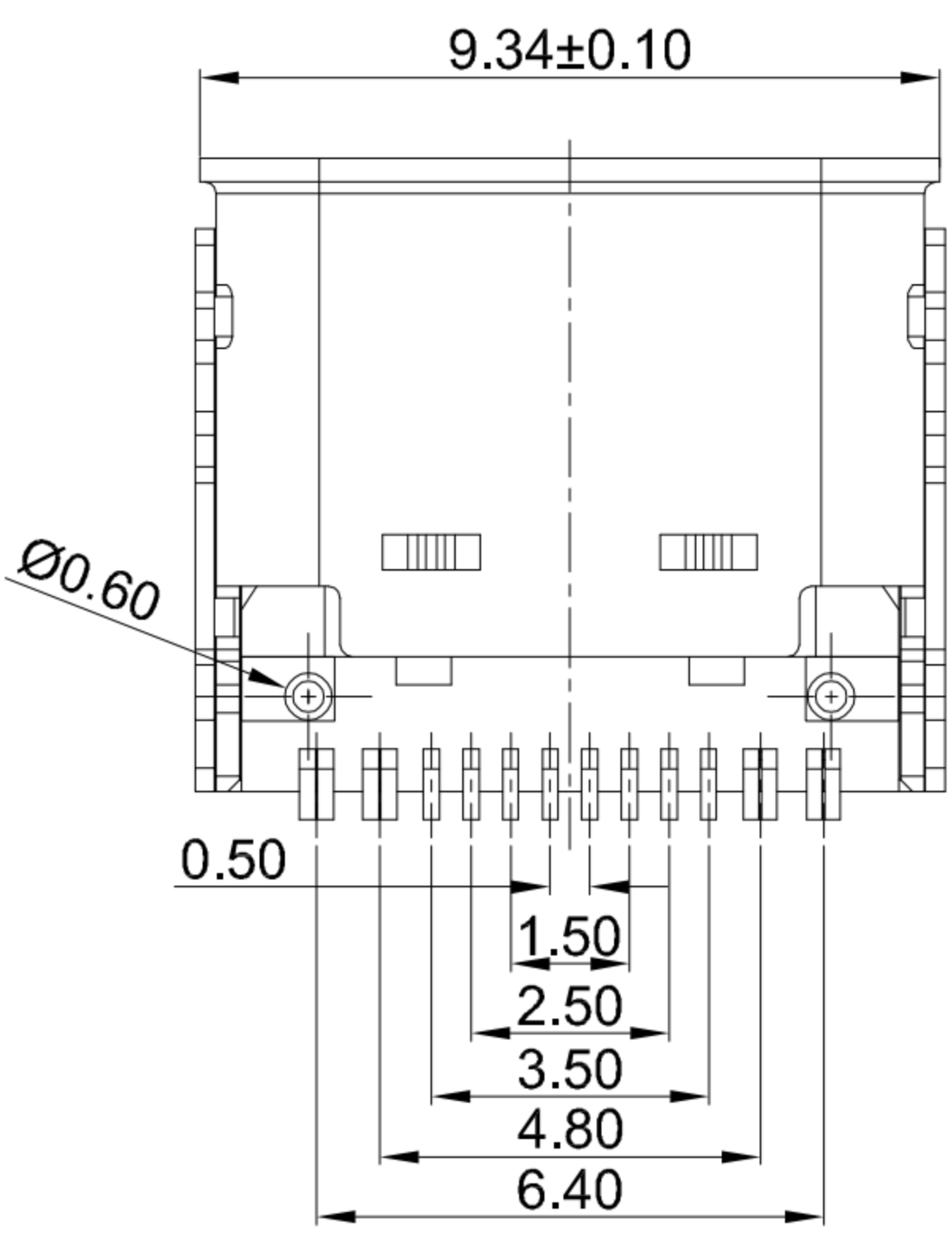


- G-Switch USB-C Specification:**
1. Current rated: 5A on vbus/1.25A on vconn/0.25A on other
Voltage rating: 24V AC
 2. Withstanding voltage: 100V AC/minute
 3. Contact resistance: 40mΩ Max
 4. Insulation resistance: 100MΩ Min
 5. Operating temperature: -40°C ~ +85°C
 6. Mating force: 5N~20N
 7. Unmating force: 8N~20N
 8. Durability cycle: 10,000 cycles



A1	A2	A3	A4	A5	A6	A7	A8	A9	A10	A11	A12
GND			VBUS	CC1	D+	D-	SBU1	VBUS			GND
First			First	Second	Second	Second	Second	First			First

B12	B11	B10	B9	B8	B7	B6	B5	B4	B3	B2	B1
GND			VBUS	SBU2	D-	D+	CC2	VBUS			GND
First			First	Second	Second	Second	Second	First			First

1	COVER SHELL	STAINLESS STEEL(SUS304)	Ni PLATED
2	SHELL	STAINLESS STEEL(SUS304)	Ni PLATED
3	MID PLATE	STAINLESS STEEL(SUS301)	CLEAN
4	HOUSING	HIGH TEMPERATURE PLASTIC	LCP BLACK UL 94 V-0
5	TERMINALS	COPPER ALLOY	Au3u" PLATING ON CONTACT AREA
NO.	PARTS	MATERIAL	REMARKS



SCALE: 1:1	UNIT: mm	Title: Horizontal Type-c 16P Female SMT Pad up2.9 CH=4.63 L=8.0mm	
SIZE: A4		Molde Code: GT-USB-7016C01	
Unless otherwise General Tolerance:		DRAWN	CHECKED
X.x	±0.30	Xia	Chen
X.xx	±0.20		
X.xxx	±0.10		
X.x°	±3°		
X.xx°	±2°		
		APPROVED	DATE
		Chen	2023.02.01



REV: A0 SHEET: 1/1