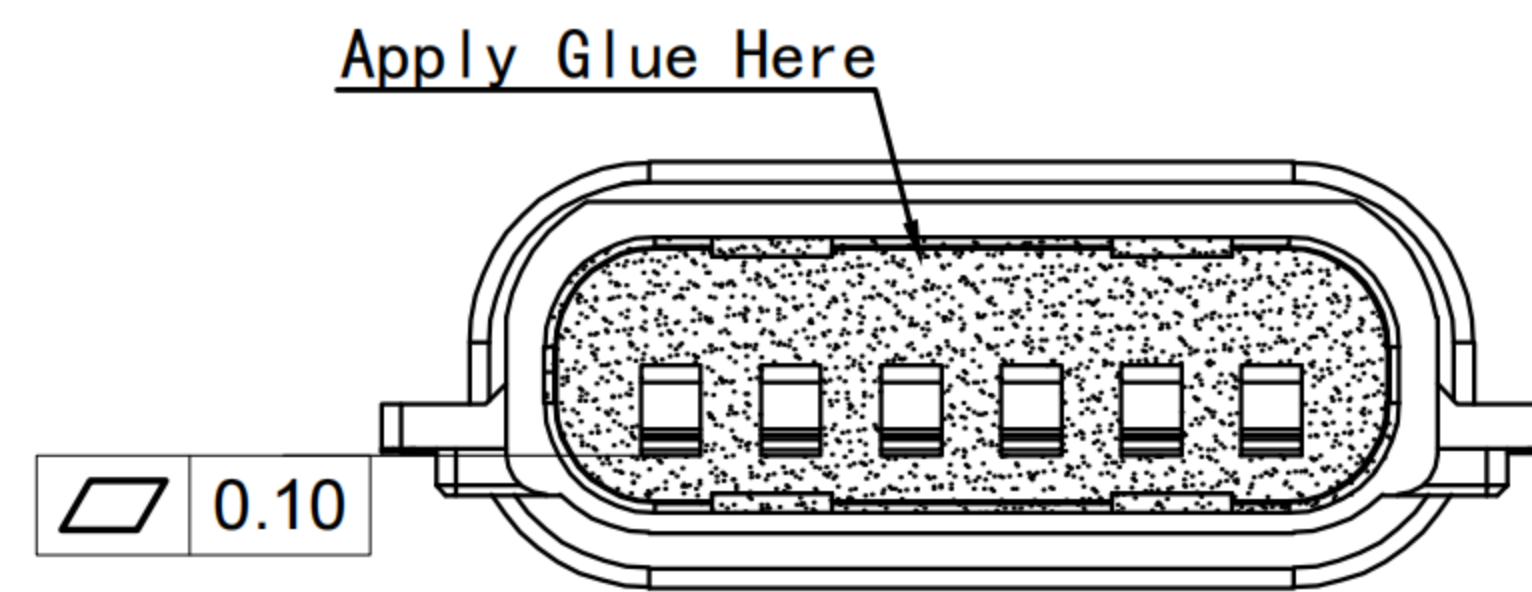
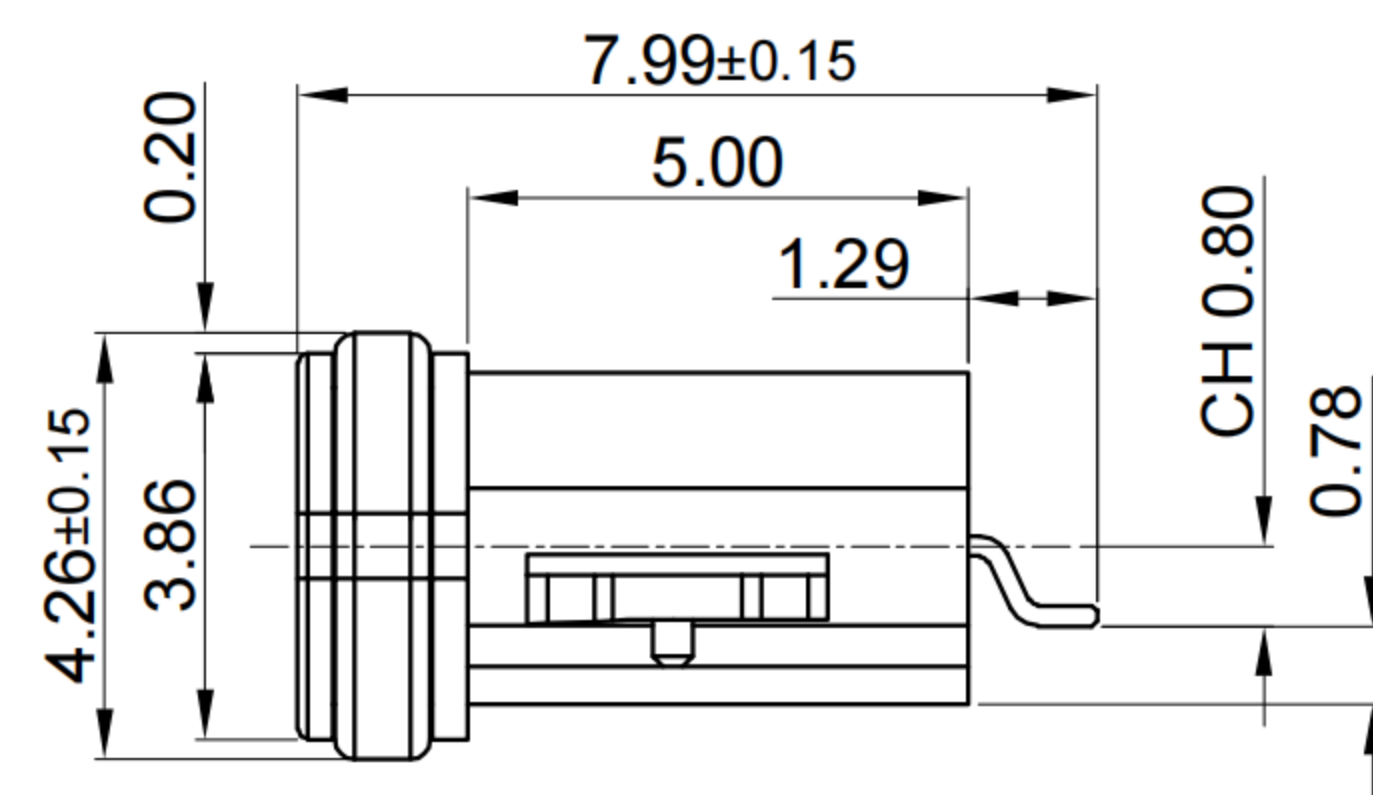
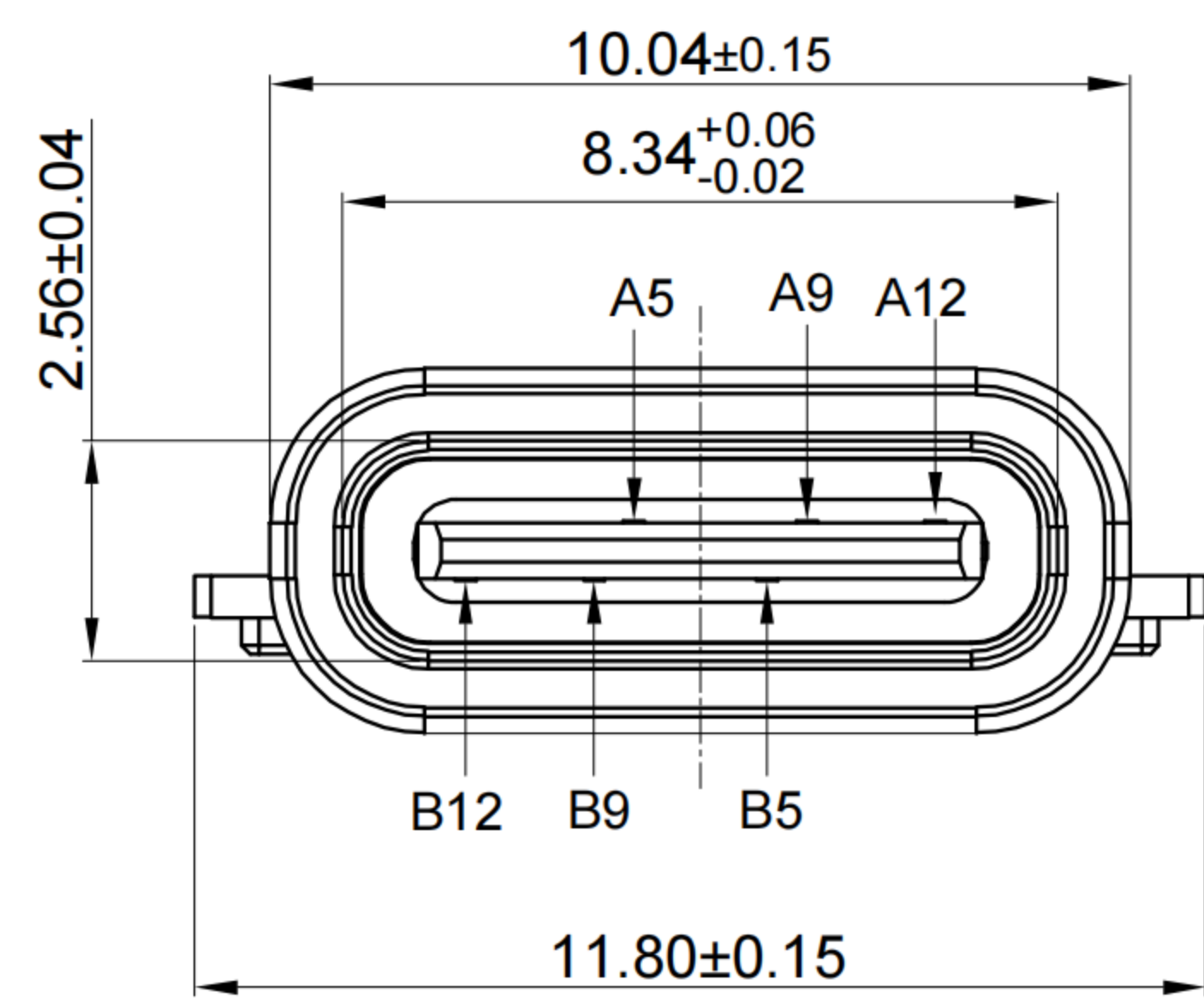
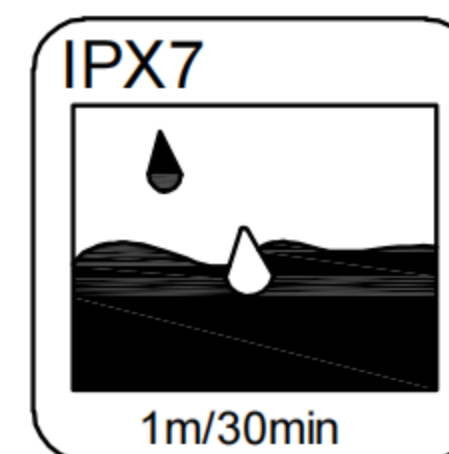
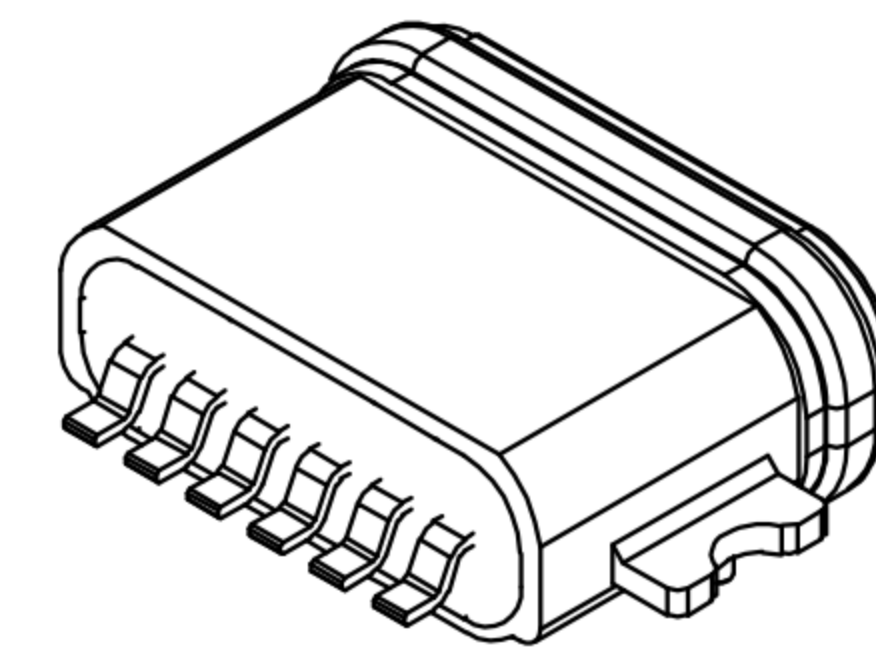
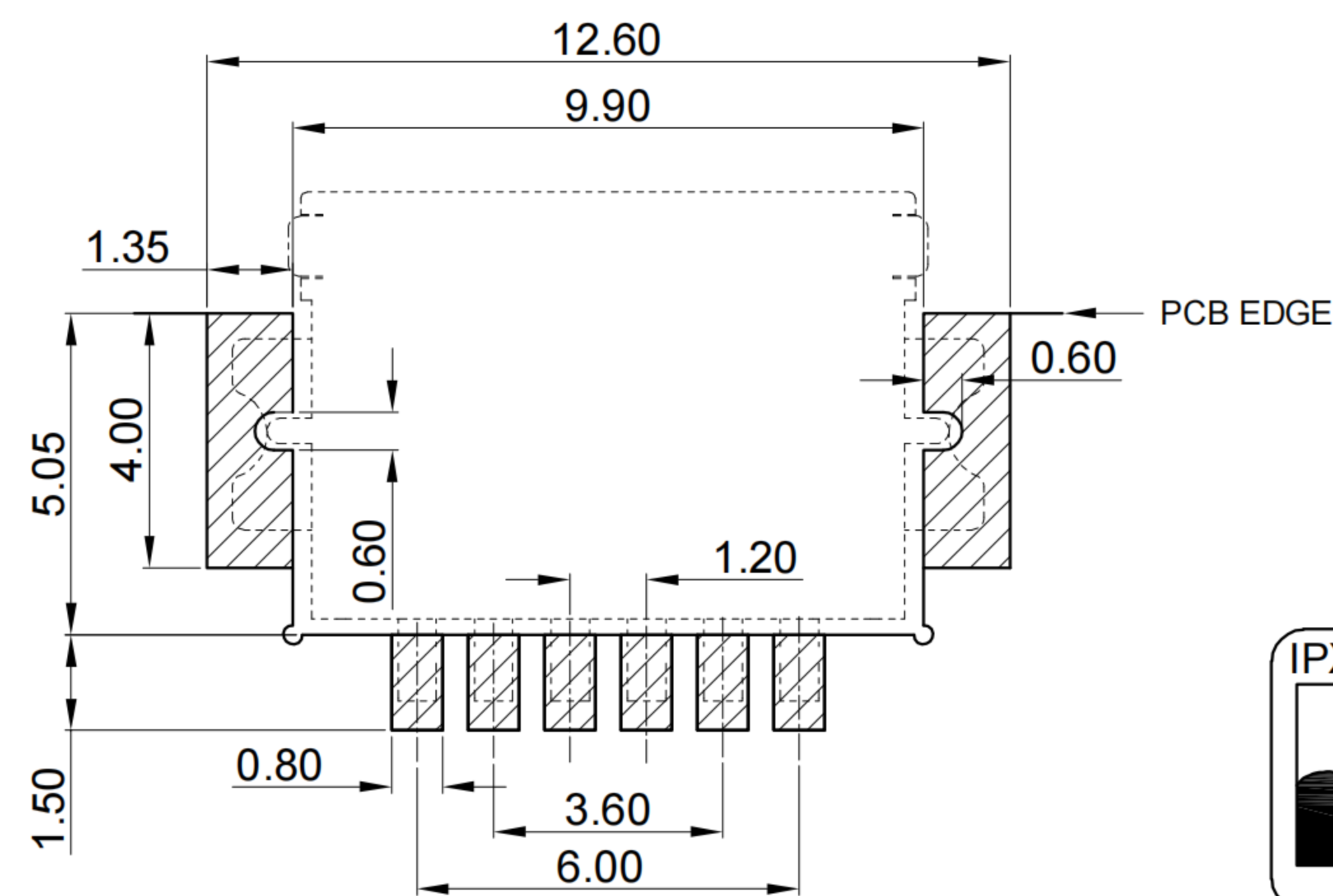
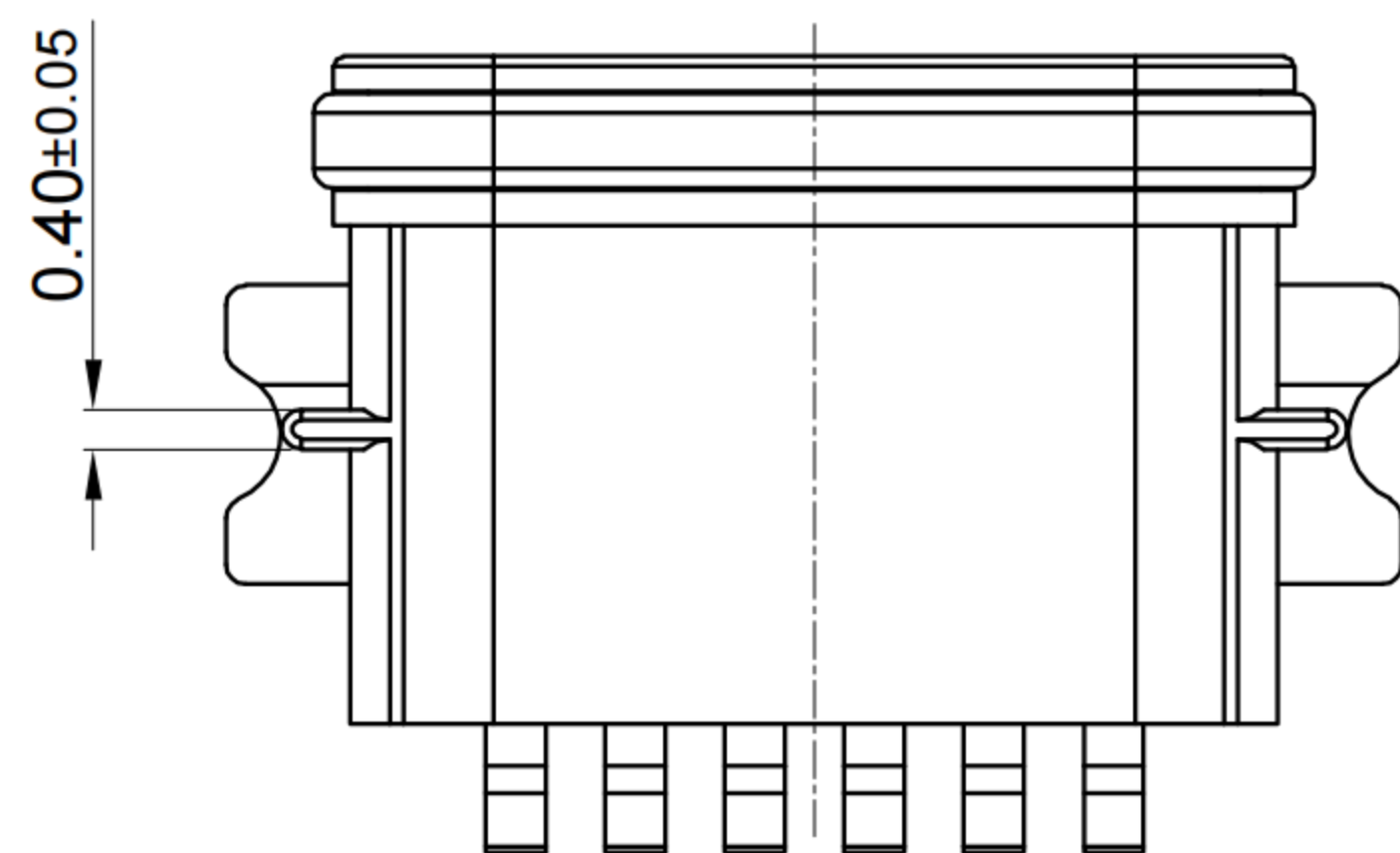


WATERPROOFING SCHEME
FOR REFERENCE ONLY



G-Switch USB-C Specification:

- Current rated: 5A on vbus/1.25A on vconn/0.25A on other
- Voltage rating: 24V AC
- Withstanding voltage: 100V AC/minute
- Contact resistance: 40mΩ Max
- Insulation resistance: 100MΩ Min
- Operating temperature: -40°C ~ +85°C
- Mating force : 5N~20N
- Unmating force: 8N~20N
- Durability cycle: 10,000 cycles
- Waterproof grade: IP-X7



RECOMMENDED PCB LAYOUT
TOLERANCE:±0.05

| | | | | | | | | | | | |
|-------|-----|-----|-------|--------|----|----|--------|-------|-----|-----|-------|
| A1 | A2 | A3 | A4 | A5 | A6 | A7 | A8 | A9 | A10 | A11 | A12 |
| | | | | CC1 | | | | VBUS | | | GND |
| | | | | Second | | | | First | | | First |
| B12 | B11 | B10 | B9 | B8 | B7 | B6 | B5 | B4 | B3 | B2 | B1 |
| GND | | | VBUS | | | | CC2 | | | | |
| First | | | First | | | | Second | | | | |

| | | | |
|-----|-----------|--------------------------|----------------------------|
| 1 | SHELL | STAINLESS STEEL | NI PLATED |
| 2 | MID PLATE | STAINLESS STEEL | — |
| 3 | HOUSING | HIGH TEMPERATURE PLASTIC | LCP BLACK UL 94 V-0 |
| 4 | TERMINALS | COPPER ALLOY | Au PLATING ON CONTACT AREA |
| NO. | PARTS | MATERIAL | REMARKS |



SCALE: 1:1 UNIT: mm
SIZE: A4

Unless otherwise
General Tolerance:
X. ±0.25
X.x ±0.20
X.xx ±0.15
X.xxx ±0.10
X° ±5°

Title: Horizontal Type-c 6P Female
Sinker 0.8 CH=0.8 L=6.7mm

Molde Code: GT-USB-7008A

| | | | |
|-------|---------|----------|------------|
| DRAWN | CHECKED | APPROVED | DATE |
| Xia | Chen | Chen | 2023.02.31 |



REV: A0 SHEET: 1/1