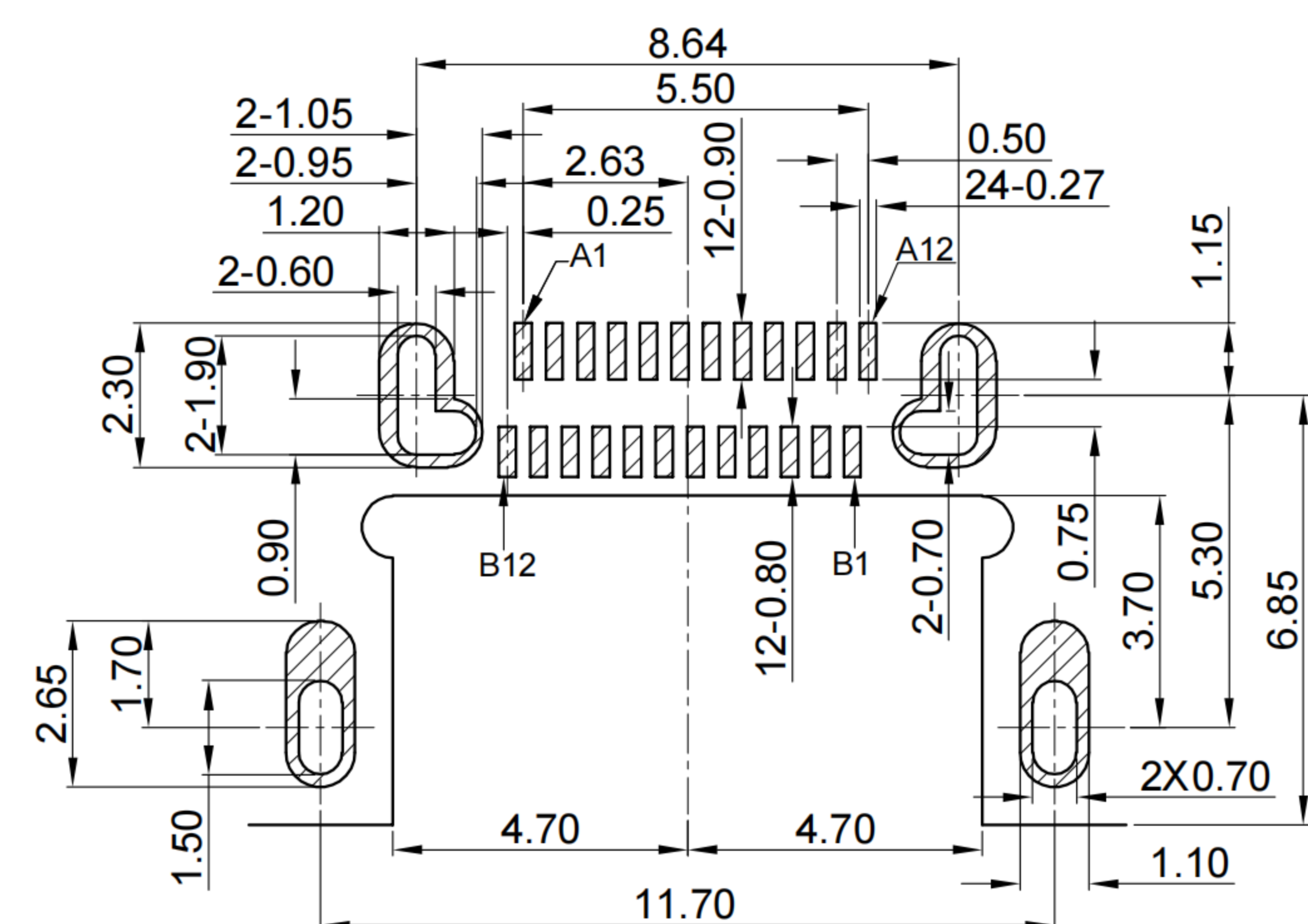
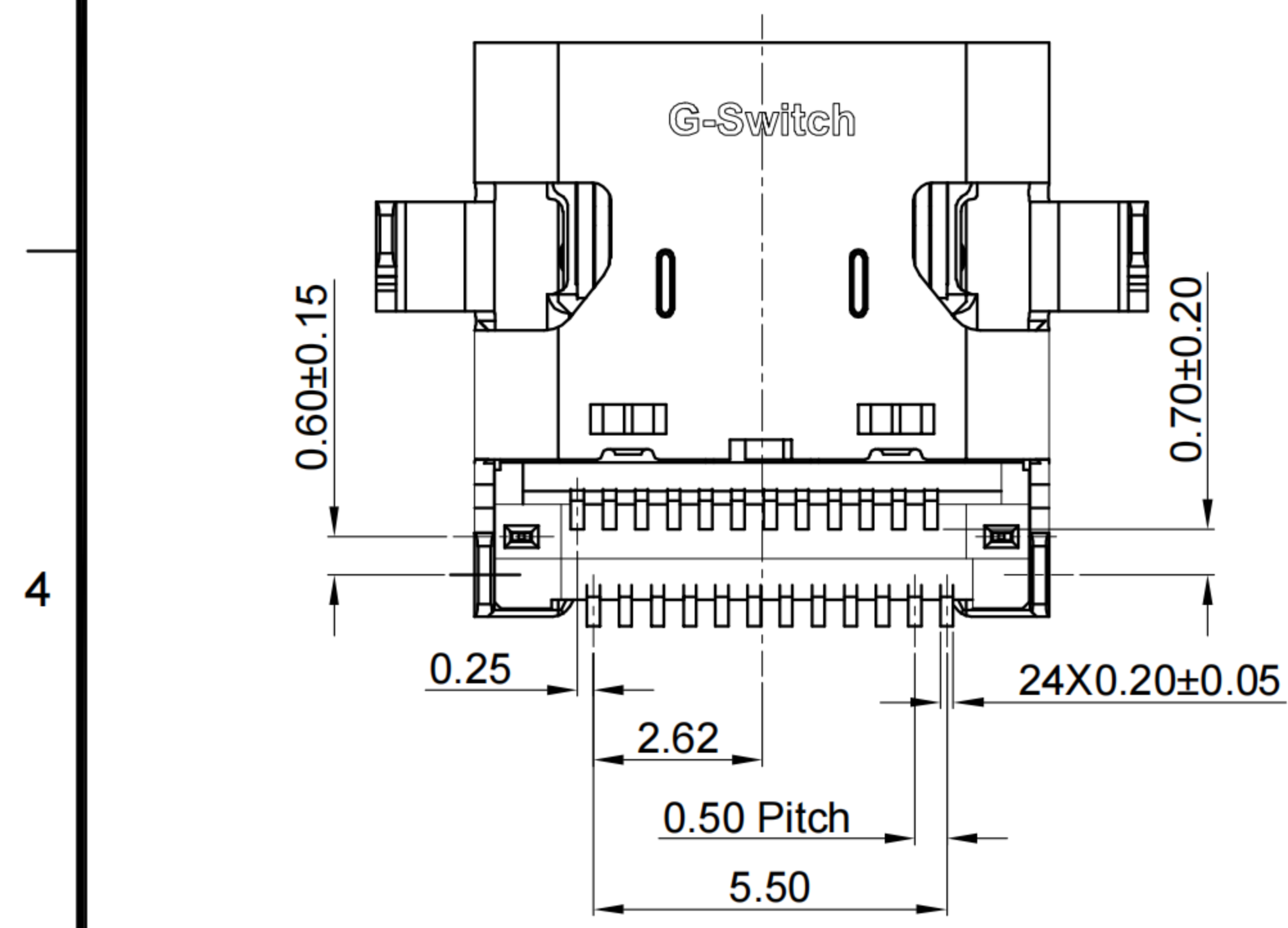


G-Switch USB-C Specification:

- Current rated: 5A on vbus/1.25A on vconn/0.25A on other
- Voltage rating: 24V AC
- Withstanding voltage: 100V AC/minute
- Contact resistance: 40mΩ Max
- Insulation resistance: 100MΩ Min
- Operating temperature: -40°C ~ +85°C
- Mating force : 5N~20N
- Unmating force: 8N~20N
- Durability cycle: 10,000 cycles
- Data transmission rate up to 40Gbps



A1	A2	A3	A4	A5	A6	A7	A8	A9	A10	A11	A12
GND	TX1+	TX1-	VBUS	CC1	D+	D-	SBU1	VBUS	RX2-	RX2+	GND
First	Second	Second	First	Second	Second	Second	Second	First	Second	Second	First
B12	B11	B10	B9	B8	B7	B6	B5	B4	B3	B2	B1
GND	RX1+	RX1-	VBUS	SBU2	D-	D+	CC2	VBUS	TX2-	TX2+	GND
First	Second	Second	First	Second	Second	Second	Second	First	Second	Second	First

Recommended PCB Layout
Tolerance±0.05

1	SHELL	STAINLESS STEEL	NI PLATED
2	GND PLATE	STAINLESS STEEL	---
3	MID PLATE	STAINLESS STEEL	NI PLATED
4	HOUSING	HIGH TEMPERATURE PLASTIC	Black UL 94 V-0
5	TERMINALS	COPPER ALLOY	Au PLATING ON CONTACT AREA
NO.	PARTS	MATERIAL	REMARKS



SCALE:	UNIT: mm
SIZE: A4	
Unless otherwise General Tolerance:	
X.	±0.25
X.x	±0.20
X.xx	±0.15
X.xxx	±0.10
X°	±5°

Title: Horizontal Type-c 24P Female Sink 1.1 CH=0.5 L=8.93mm			
Molde Code: GT-USB-7007E			
DRAWN	CHECKED	APPROVED	DATE
Xia	Chen	Chen	2023.02.01



REV: A0 SHEET: 1/1