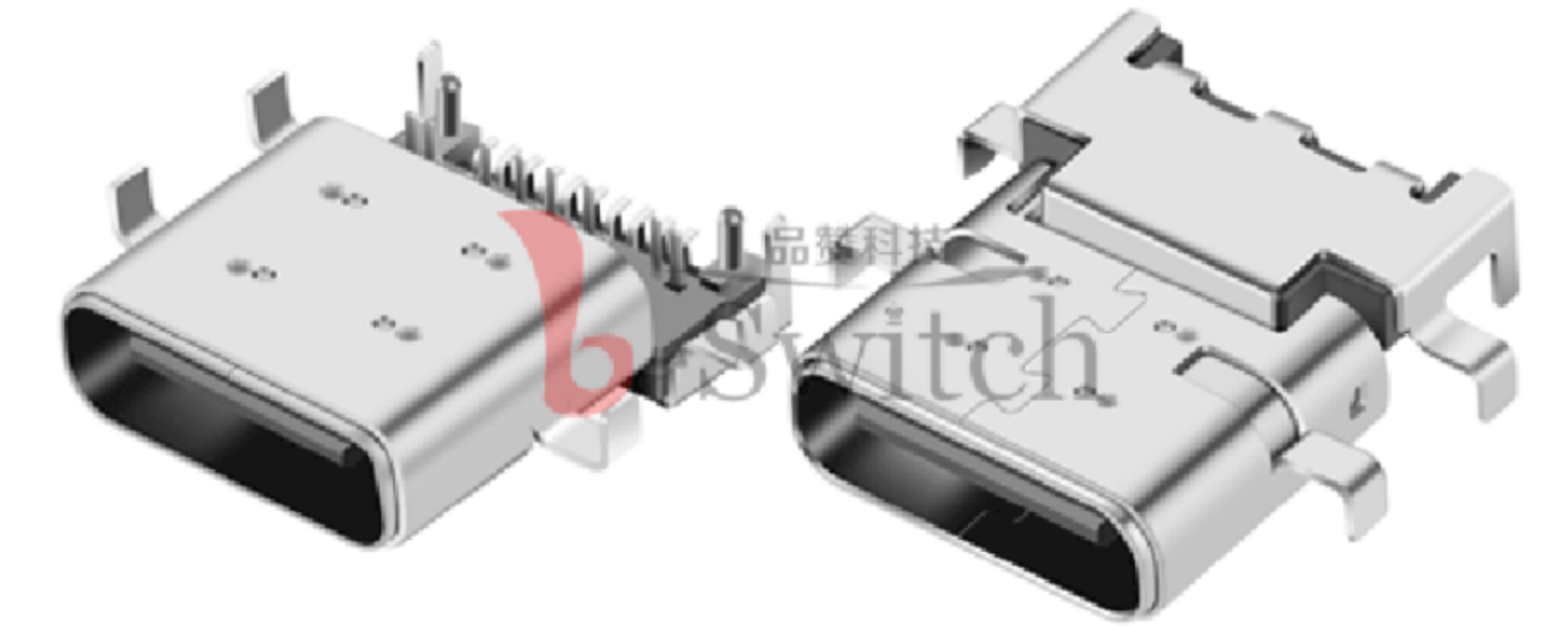
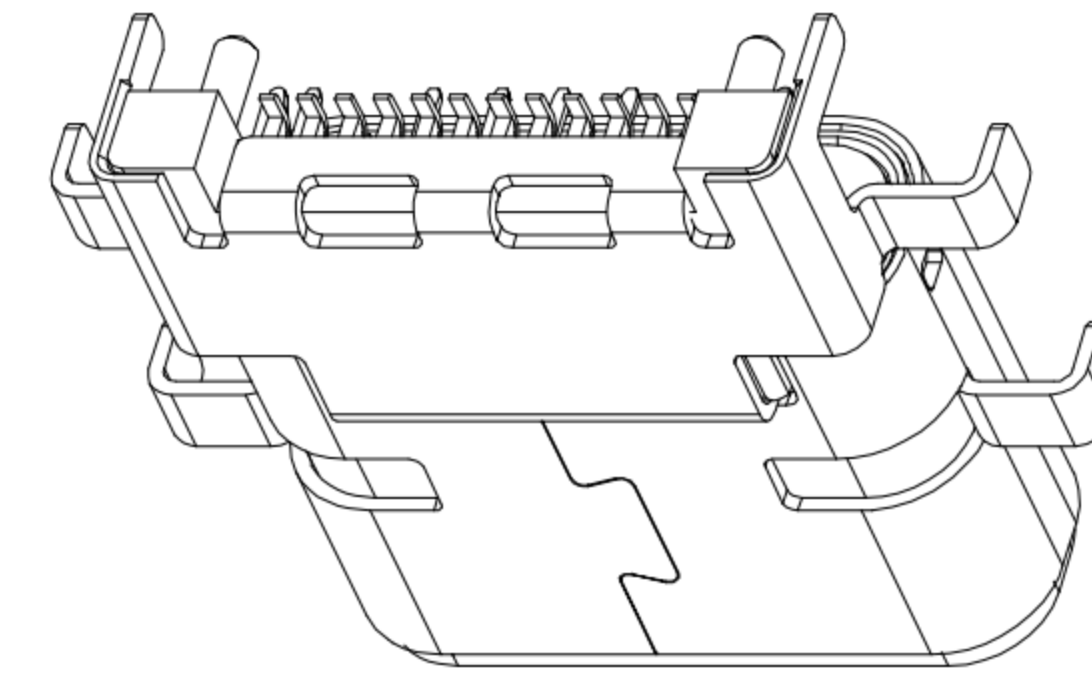
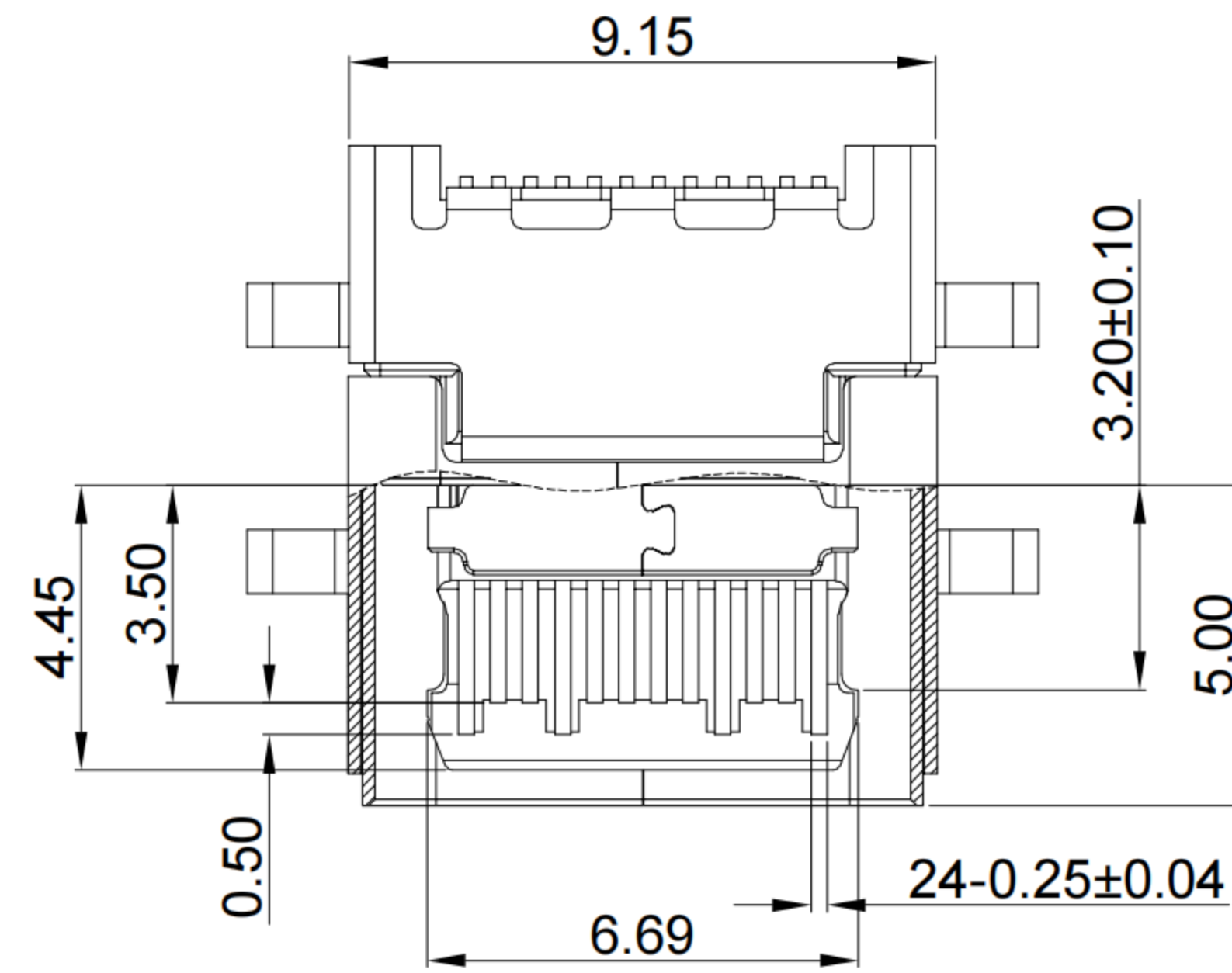
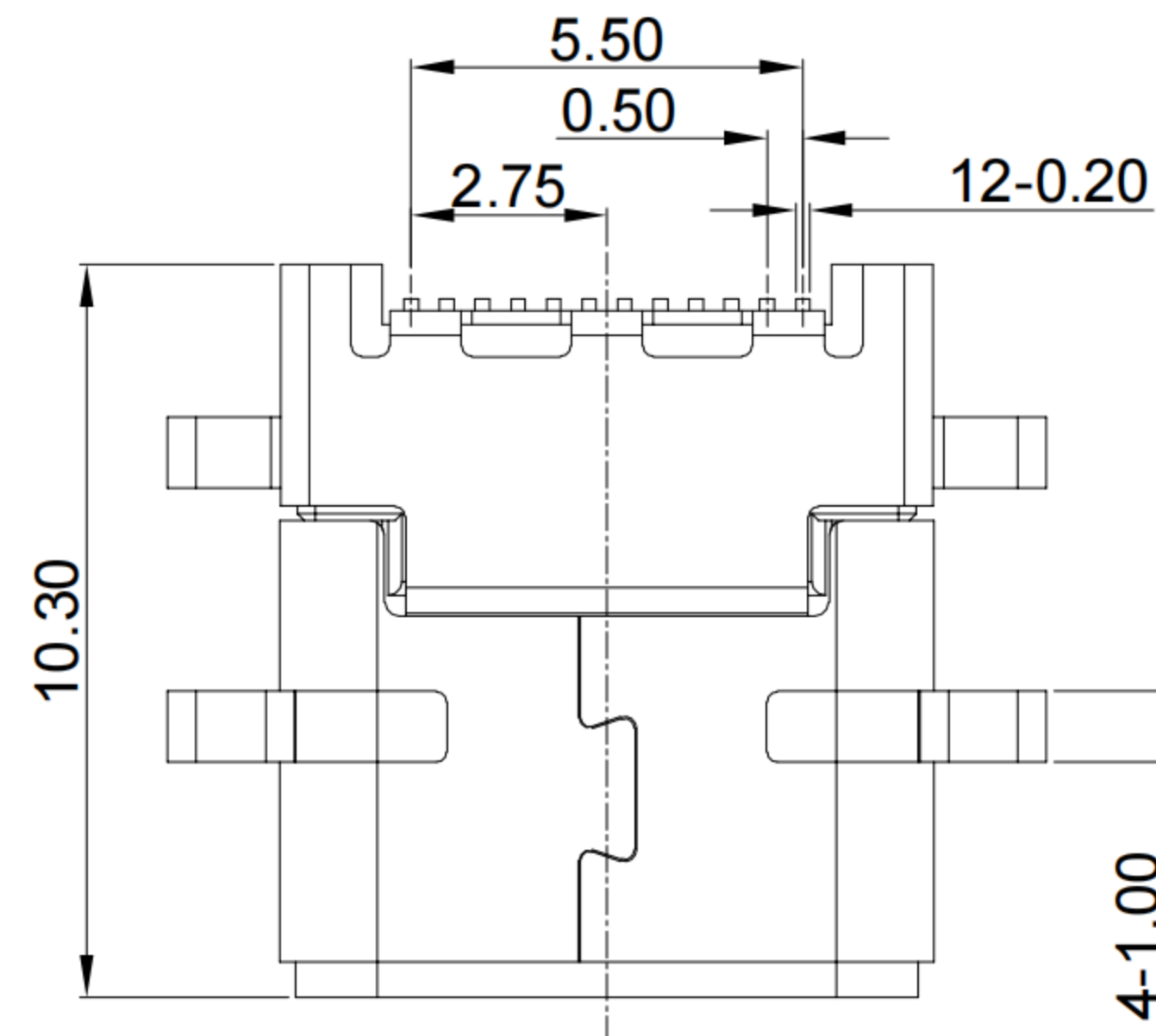
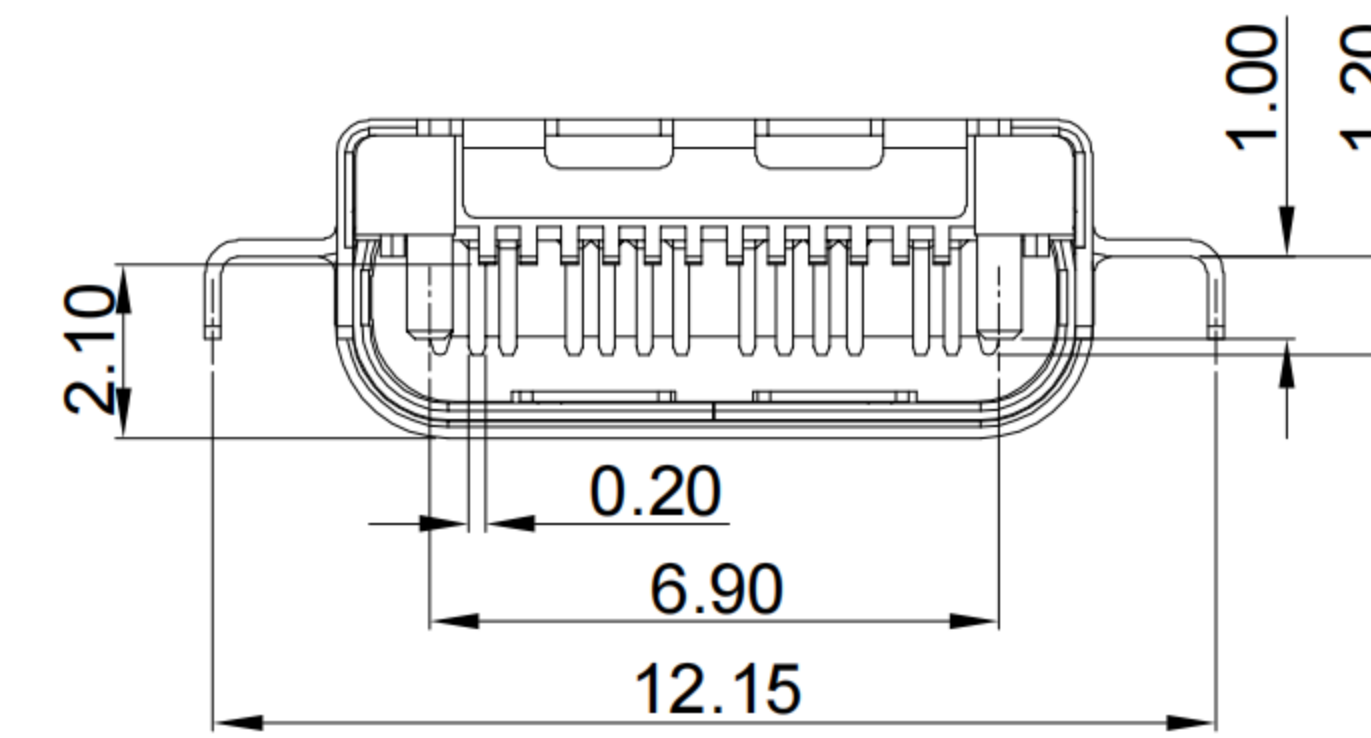
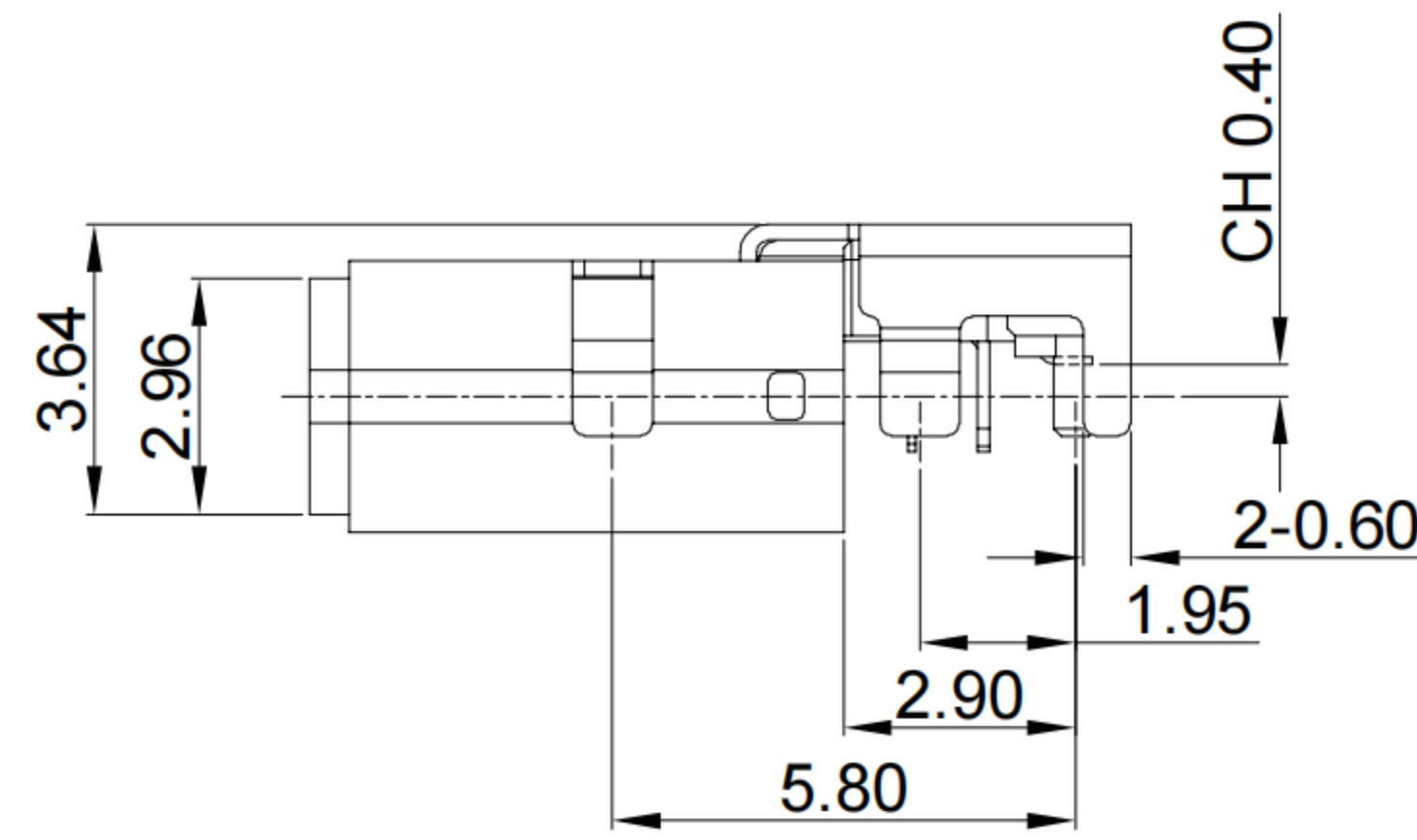
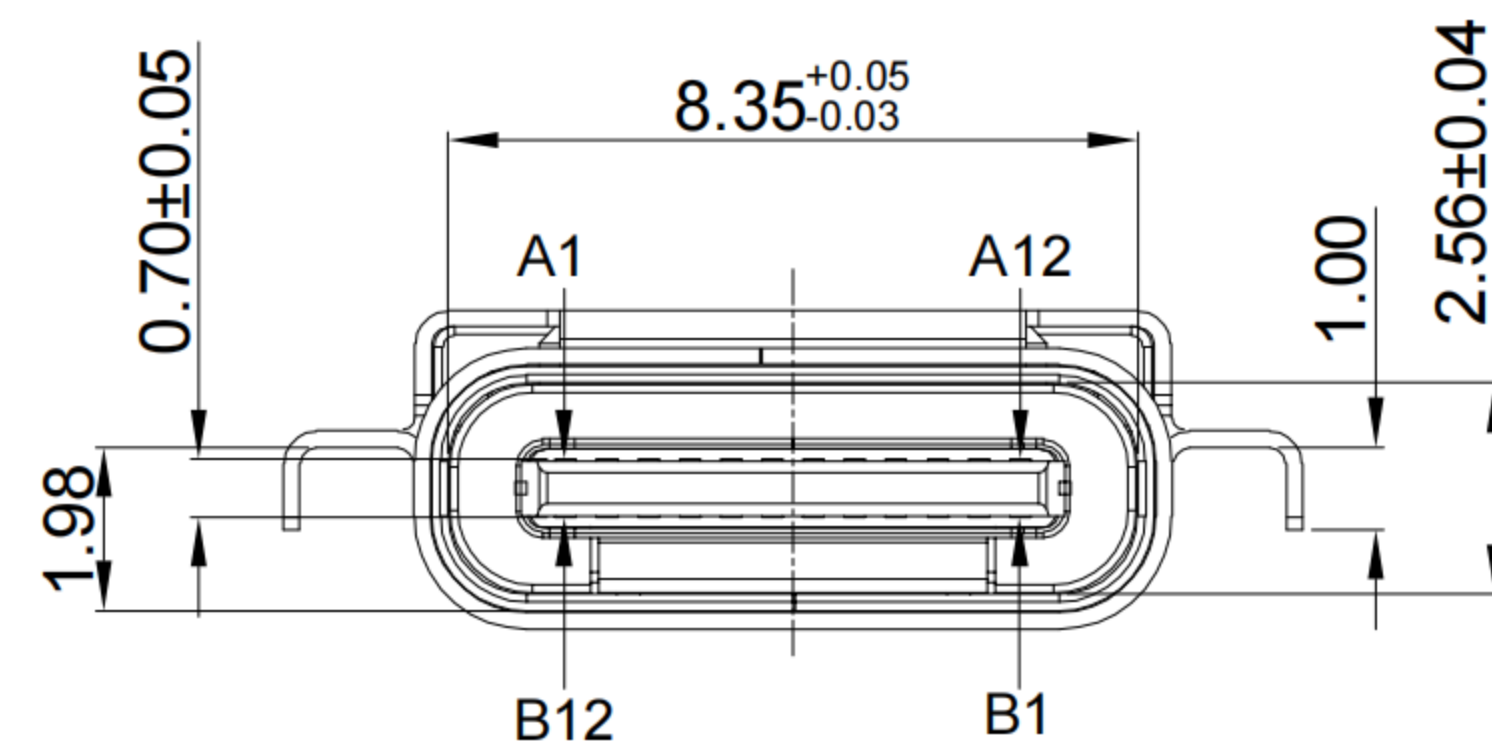


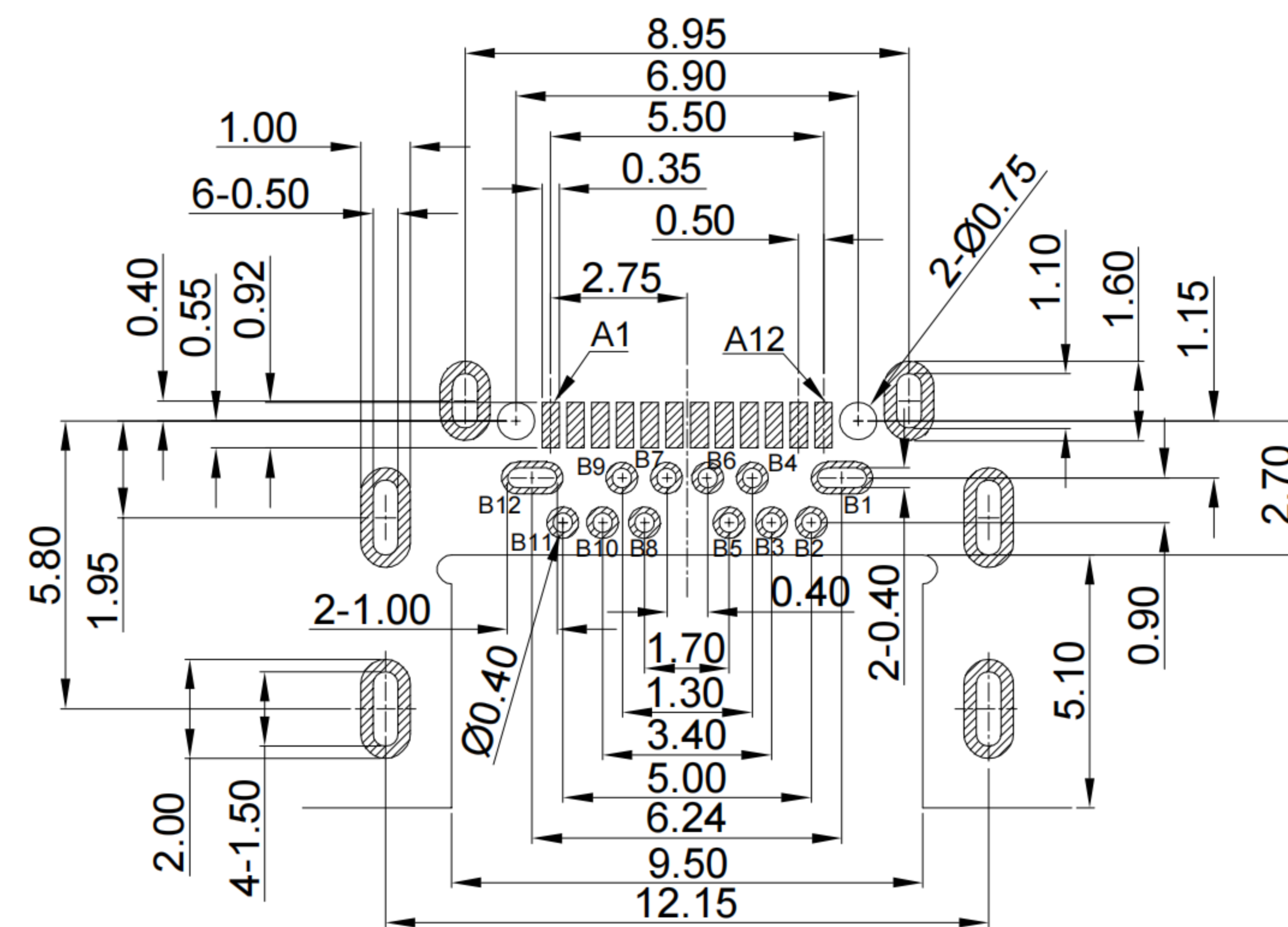
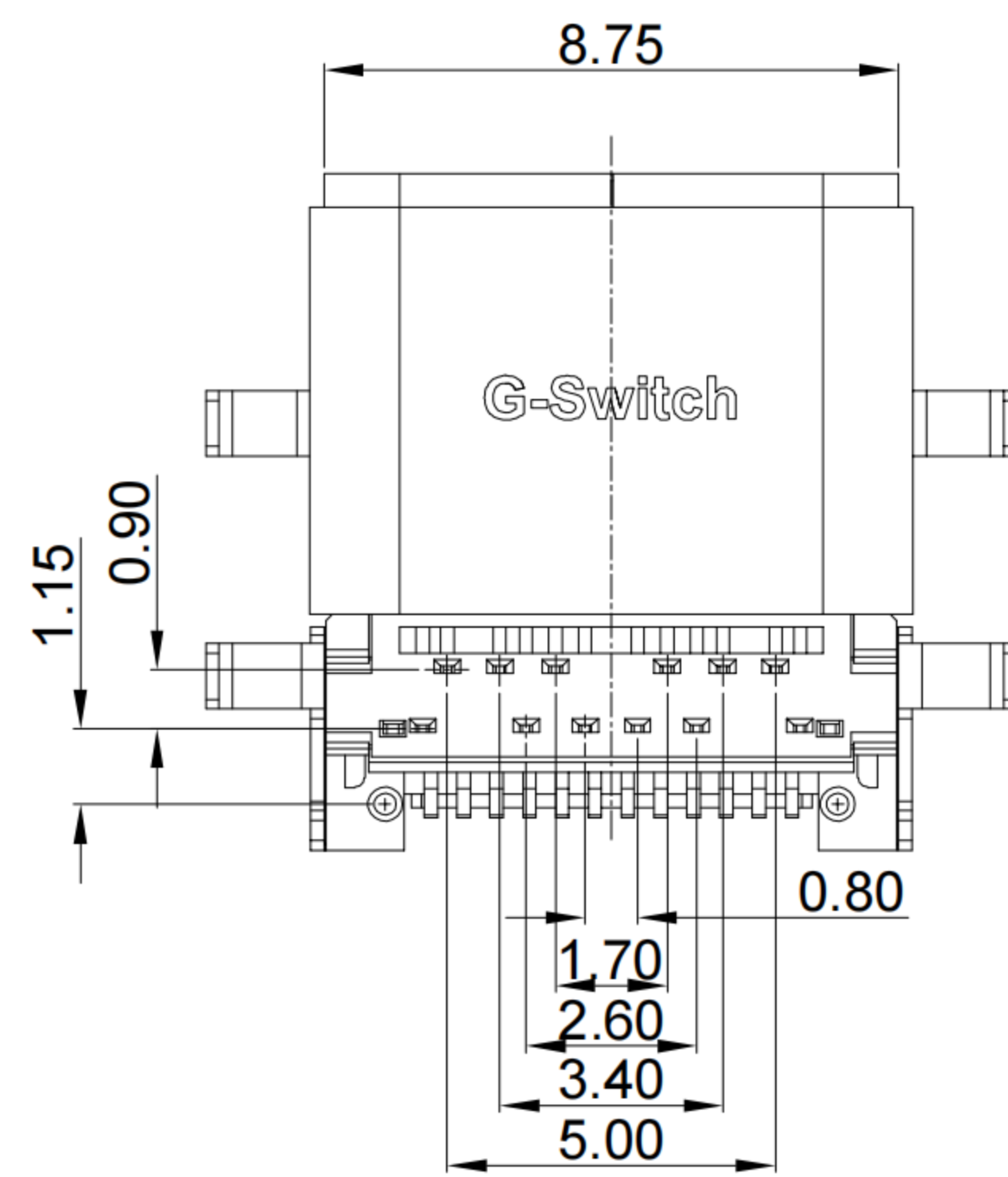
1



2



3



G-Switch USB-C Specification:

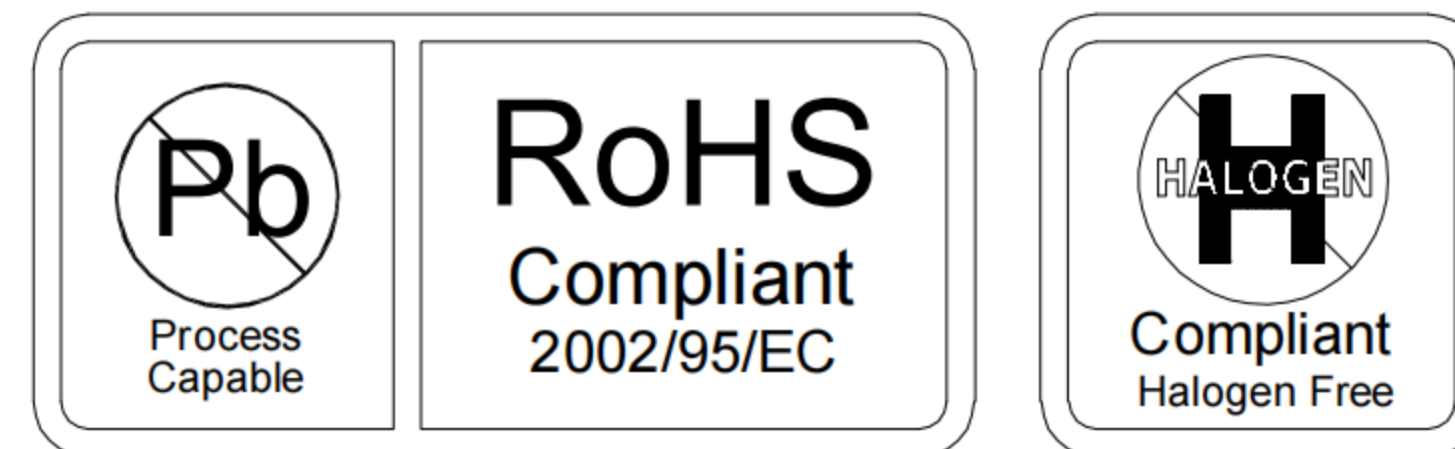
- Current rated: 5A on vbus/1.25A on vconn/0.25A on other
Voltage rating: 24V AC
- Withstanding voltage: 100V AC/minute
- Contact resistance: 40mΩ Max
- Insulation resistance: 100MΩ Min
- Operating temperature: -40°C ~ +85°C
- Mating force : 5N~20N
- Unmating force: 8N~20N
- Durability cycle: 10,000 cycles
- Data transmission rate up to 10Gbp/s

A1	A2	A3	A4	A5	A6	A7	A8	A9	A10	A11	A12
GND	TX1+	TX1-	VBUS	CC1	D+	D-	SBU1	VBUS	RX2-	RX2+	GND
First	Second	Second	First	Second	Second	Second	Second	First	Second	Second	First
B12	B11	B10	B9	B8	B7	B6	B5	B4	B3	B2	B1
GND	RX1+	RX1-	VBUS	SBU2	D-	D+	CC2	VBUS	TX2-	TX2+	GND
First	Second	Second	First	Second	Second	Second	Second	First	Second	Second	First

5

1	SHELL	STAINLESS STEEL	NI PLATED
2	HOUSING	HIGH TEMPERATURE PLASTIC	BLACK UL 94 V-0
3	MID PLATE	STAINLESS STEEL	--
4	TERMINALS	COPPER ALLOY	Au PLATING ON CONTACT AREA
5	LATCH	STAINLESS STEEL	--
6	GROUND PLATE	STAINLESS STEEL	NI PLATED
NO.	PARTS	MATERIAL	REMARKS

RECOMMENDED PCB LAYOUT TOLERANCE:±0.05



SCALE: UNIT: mm
 SIZE: A4

Unless otherwise
 General Tolerance:
 X. ±0.20
 X.x ±0.15
 X.xx ±0.10
 X.xxx ±0.05
 Angles ±3°

Title: Horizontal Type-c 24P Female Sinker2.1 CH=0.4 L=10.30mm

Molde Code: GT-USB-7005B

DRAWN	CHECKED	APPROVED	DATE
Xia	Chen	Chen	2023.02.01



REV: A0 SHEET: 1/1

A

B

C

D

E