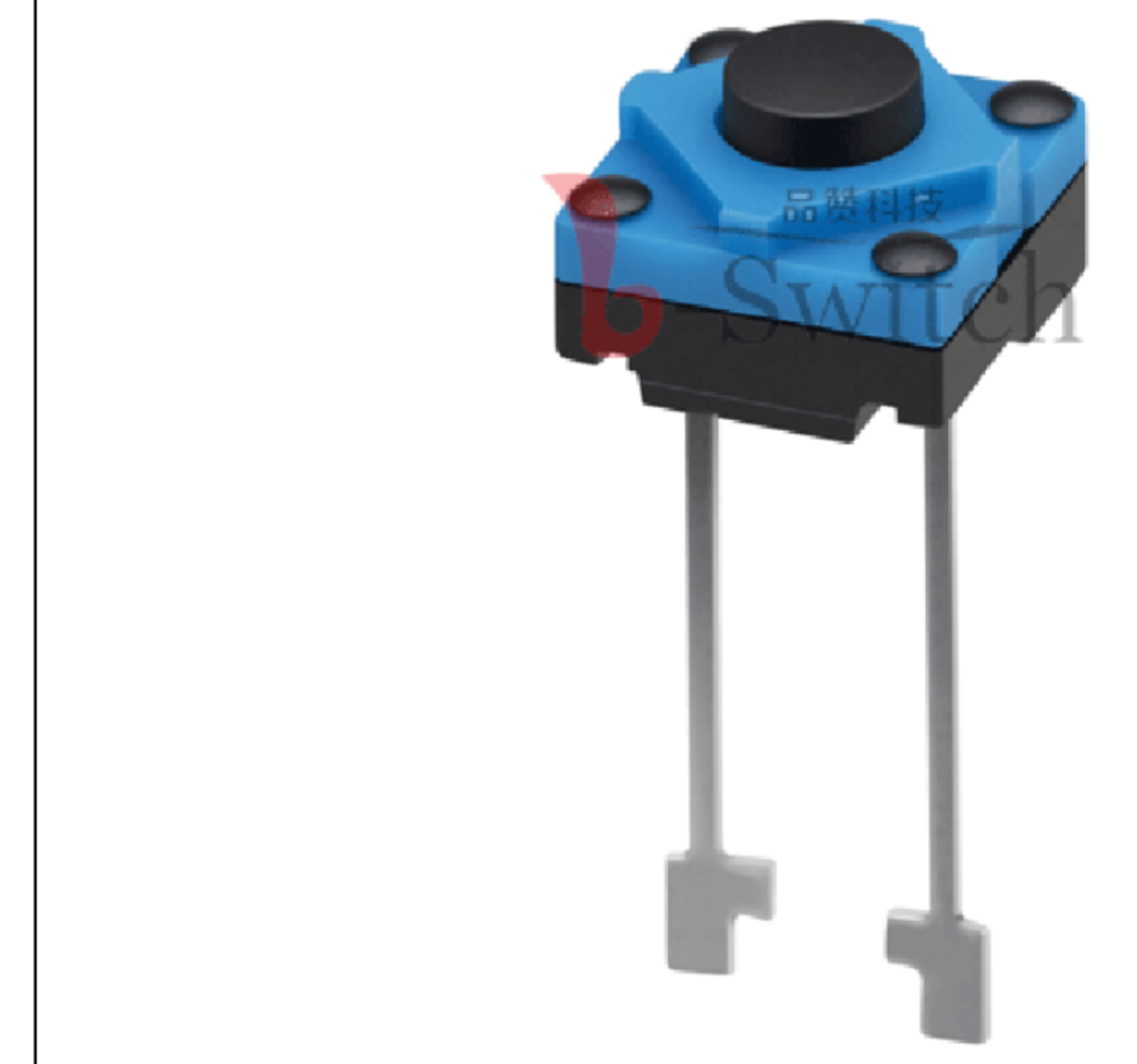


THE LENGTH	TOLERANCE RANGE
L ≤ 10	±0.3
10 < L ≤ 100	±0.5
100 < L	±0.6



### GT-TC123X-HXXX-LX

**Operating Force**  
 A=200gf  
 B=260gf

**Switch Height**  
 H050=5.0mm

**Switch lifetime (Force)**  
 L1=100,000 Cycles

#### G-Switch Specification:

1. Operating temperature range: -40°C to +85°C
2. Rating: 50mA, 12V DC
3. Insulation resistance: 100MΩ min, 100V DC
4. Dielectric strength: 250V AC for 1 min
5. Contact Resistance: 100mΩ max.
6. Travel: 0.3<sup>+0.2</sup><sub>-0.1</sub>mm
7. Waterproof grade: IPX7

1	STEM	PPA	
2	COVER	PPA	
3	RUBBER CIRCLE	RUBBER	
4	DOME	STAINLESS STEEL	Ag PLATING
5	HOUSING	PPA	
6	TERMINAL	COPPER ALLOY	Ag PLATING
NO.	PART NAME	MATERIAL	REMARK



SCALE: 1:1	UNIT: mm
SIZE: A4	
Unless otherwise General Tolerance:	
X.	±0.40
X.x	±0.30
X.xx	±0.20
X°	±5°
X.x°	±3°

Title: Vertical Tact Switch IPX7 DIP 7.2×7.2×5.0mm			
Molde Code: GT-TC123X-HXXX-LX			
DRAWN	CHECKED	APPROVED	DATE
Xia	Chen	Chen	2023.04.11



REV: A0 SHEET: 1/1