

REFERENCE DRAWING



GT-TC084X-HXXX-LX

G-SWITCH

Operating Force

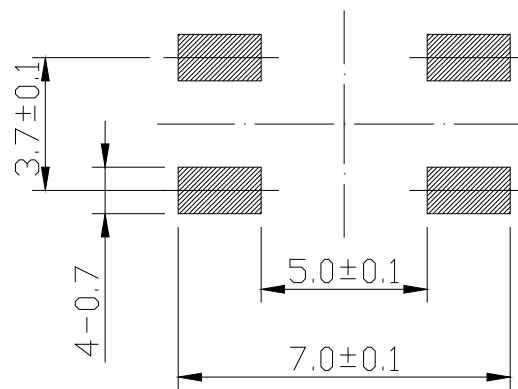
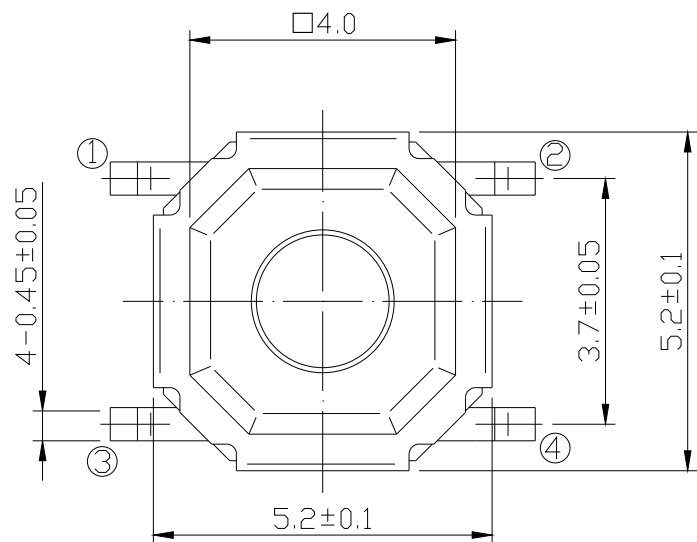
- A=160gf
- B=250gf
- C=320gf
- E=130gf

Switch Height (mm)

- H015=1.5 H016=1.6
- H017=1.7 H020=2.0
- H025=2.5 H030=3.0
- H035=3.5 H040=4.0
- H045=4.5 H050=5.0

Switch lifetime (Force)

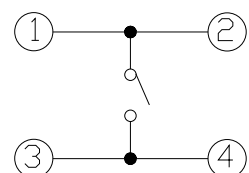
- L1=100,000 Cycles
- L3=300,000 Cycles
- L5=500,000 Cycles
- L10=1,000,000 Cycles



P.C.B LAND DIMENSION

**G-Switch Specification:**

Operating temperature range -30 to+85  
 Rating 50mA.12V DC  
 Insulation resistance: 100MΩ min.100V DC  
 Dielectric strength 250V AC for 1 min  
 Contact resistance: 100m Ω max.  
 Travel:0.25±0.1mm



CIRCUIT DIAGRAM



G-Switch Electronic (HongKong) CO.,Ltd.

Unless otherwise specified, Tolerance: X. ±0.30 X.x ±0.20 X.xx ±0.15 X.xxx ±0.10 Angles ±3°	DESIGN FengFengChen	DATE 2019.05.29	Molde code:		
	CHECKED	DATE	GT-TC084X-HXXX-LX		
	APPROVED	DATE			
	<a href="http://www.dg-switch.com">http://www.dg-switch.com</a>		REV.: X1	SCALE: 4:1	UNIT: mm
TEL:0769-82388879		SIZE: A4	SHEET: 1/1		