

GT-TC080X-HXXXX-LX

G-SWITCH

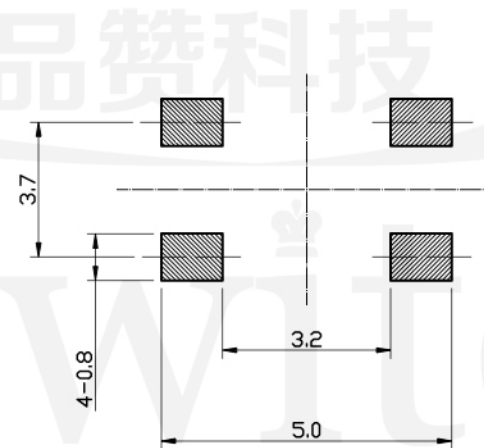
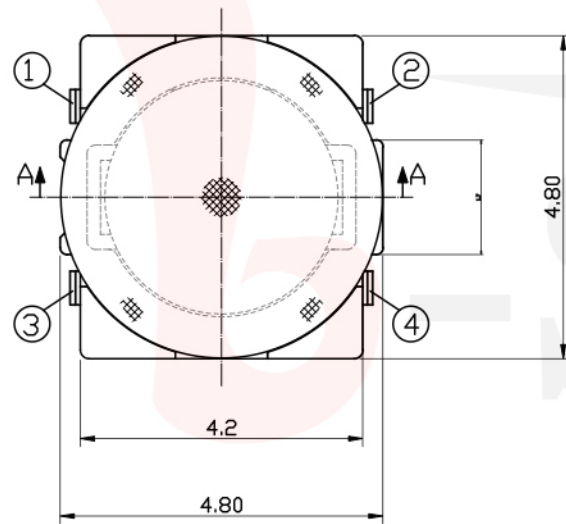
**Operating Force**  
 A=160gf  
 B=250gf  
 C=100gf

**Switch Height (mm)**  
 H0055=0.55mm

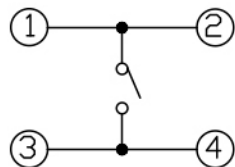
**Switch lifetime (Force)**  
 L1=100,000 Cycles  
 L5=500,000 Cycles

**G-Switch Specification:**

Operating temperature range : -30°Cto+85°C  
 Rating : 50mA, 12V DC  
 Insulation resistance : 100MΩ min. 100V DC  
 Dielectric strength : 250V AC for 1 min  
 Contact resistance : 100m Ω max.  
 Travel: 0.20±0.05mm



P.C.B LAND DIMENSION



CIRCUIT DIAGRAM



Unless otherwise specified, Tolerance:  
 X. ±0.30  
 X.x ±0.20  
 X.xx ±0.15  
 X.xxx ±0.10  
 Angles ±3°

**G-Switch Electronic (HongKong) CO.,Ltd.**

DESIGN FengFengChen	DATE 2019.05.29	Molde code:	
CHECKED	DATE	GT-TC080X-HXXXX-LX	
APPROVED	DATE	REV.: X1	SCALE: 4:1
<a href="http://www.dg-switch.com">http://www.dg-switch.com</a>		UNIT: mm	
TEL:0769-82388879	SIZE: A4	SHEET: 1/1	