

GT-TC021X-H040-LX

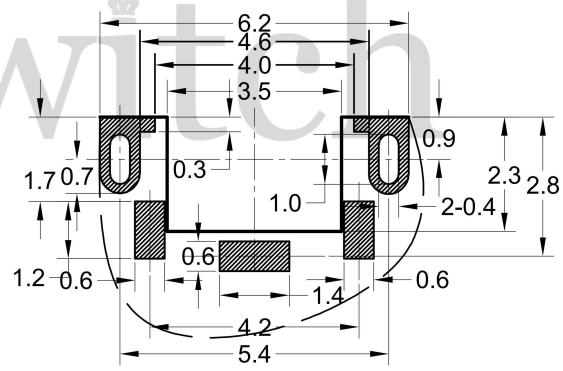
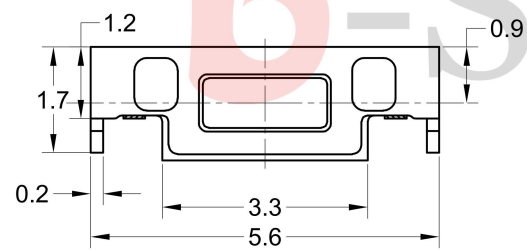
G-SWITCH

Operating Force
A=160gf
B=250gf

Switch Height(mm)
H=040(4.0mm)

Switch life time(Force)
L05=50,000 Cycles

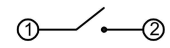
品赞科技®



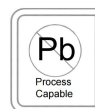
P.C.B LAND DIMENSION

G-Switch Specification:

Operating temperature range: -40°C to +85°C
 Rating: 50mA, 12V DC
 Insulation resistance: 100MΩ min, 100V DC
 Dielectric strength: 250V AC for 1 min
 Contact resistance: 100mΩ max.
 Travel: 0.20±0.05mm



CIRCUIT DIAGRAM



		G-Switch Electronic Technology CO.,Ltd.			
					DESIGN 陈锋枫
Unless otherwise specified, Tolerance: X. ±0.30 X.x ±0.20 X.xx ±0.15 X.xxx ±0.10 Angles ±3°		CHECKED	DATE	GT-TC021X-HXXX-LX	
		APPROVED	DATE		
http://www.dg-switch.com TEL:0769-82388879		REV.: X1	SCALE: 4:1	UNIT: mm	
		SIZE: A4	SHEET: 1/1		