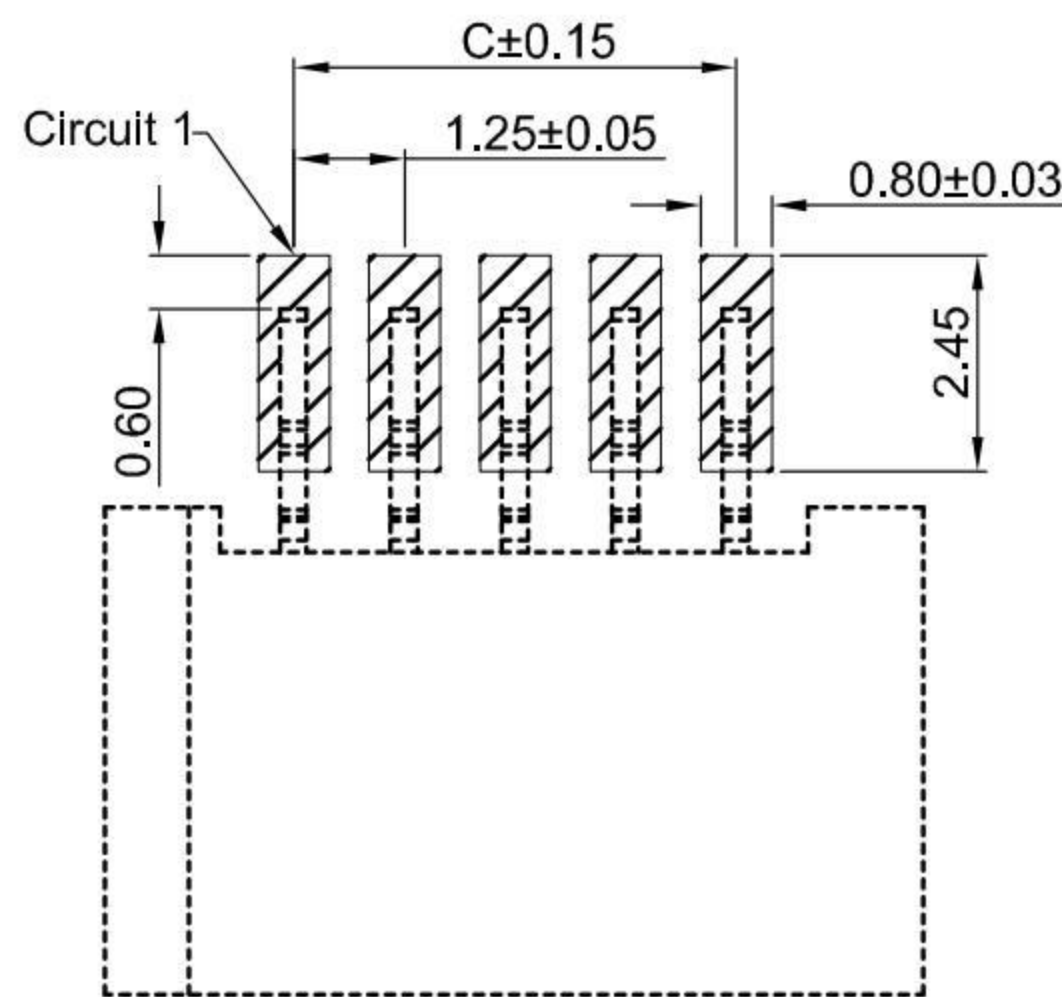
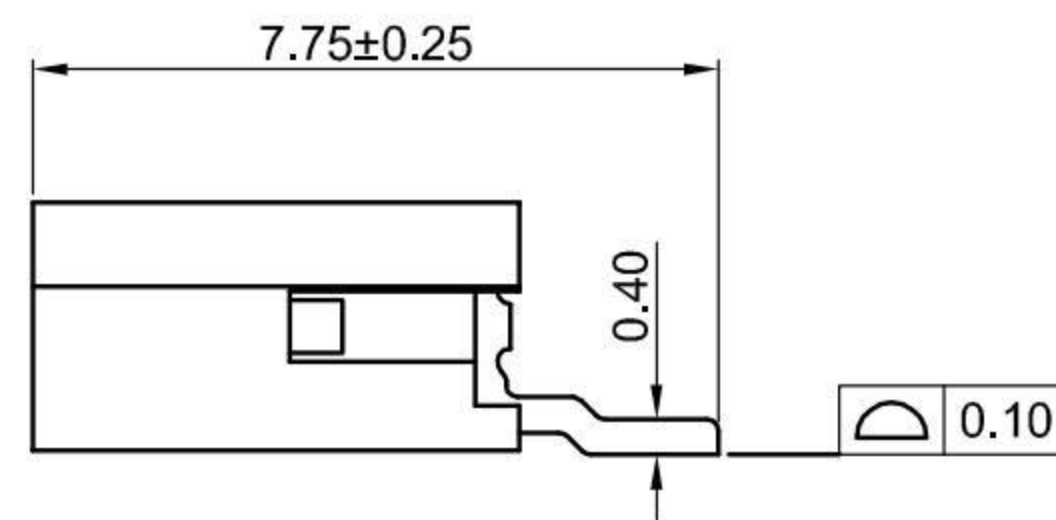
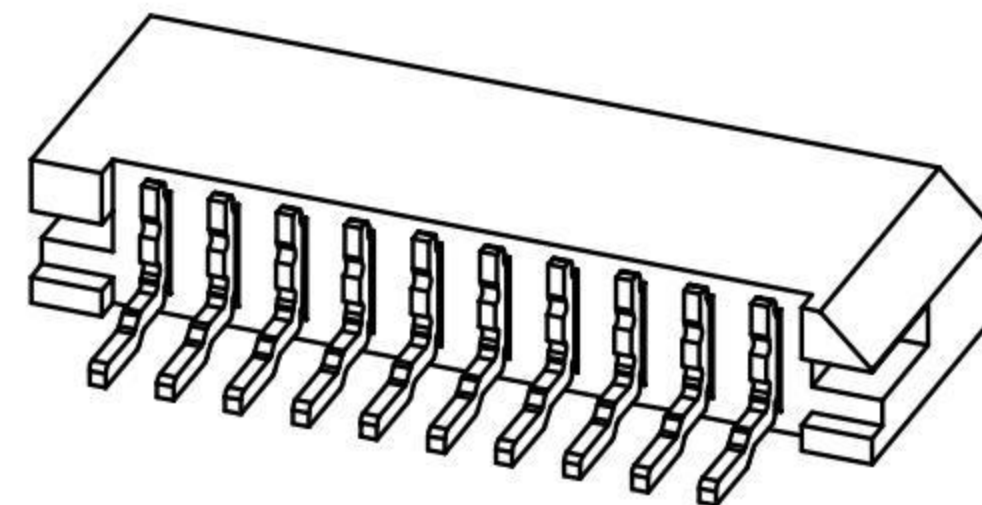


PROPER CABLE



RECOMMENDED PCB LAYOUT  
TOLERANCE:±0.05



SCALE: 1:1 UNIT: mm  
SIZE: A4

Unless otherwise  
General Tolerance:  
X ±0.40  
X.x ±0.30  
X.xx ±0.20  
X\* ±5°  
X.x° ±3°

Title: FPC Pitch 1.25mm 90° Right SMT  
Single Row Double Sided Welding

Molde Code: GT-F1251SR28-XXXXX01

|       |         |          |            |
|-------|---------|----------|------------|
| DRAWN | CHECKED | APPROVED | DATE       |
| Jiang | Hu      | Chen     | 2022.11.18 |



REV: A0 SHEET: 1/1



GT-F1251 S R 28 -XX X XX 01

G-Switch  
Series No  
Termpoint S-SMT  
Angle R-90°  
Terminal Plating BT-Bright Tin  
Housing Colour B-Black  
Pin Q' PY 04~20  
Height 28-2.80mm

G-Switch Specification:

- 1.Current rated: 1.0A AC/DC
- 2.Voltage rating: 125V AC/DC
- 3.Withstanding voltage: 500V AC
- 4.Contact resistance: 50mΩ max.
- 5.Insulation resistance: 100MΩ min
- 6.Durability cycle: 20Cycles
- 7.Removal force: 0.05kgf/Pin min
- 8.Operating temperature range: -25°C ~ +85°C

Ordering Information:

| Circuit | Dimensions(mm) |       |       | Circuit | Dimensions(mm) |       |       |
|---------|----------------|-------|-------|---------|----------------|-------|-------|
|         | A              | B     | C     |         | A              | B     | C     |
| 04      | 8.00           | 6.40  | 3.75  | 12      | 18.00          | 16.40 | 13.75 |
| 05      | 9.25           | 7.65  | 5.00  | 13      | 19.25          | 17.65 | 15.00 |
| 06      | 10.50          | 8.90  | 6.25  | 14      | 20.50          | 18.90 | 16.25 |
| 07      | 11.75          | 10.15 | 7.50  | 15      | 21.75          | 20.15 | 17.50 |
| 08      | 13.00          | 11.40 | 8.75  | 16      | 23.00          | 21.40 | 18.75 |
| 09      | 14.25          | 12.65 | 10.00 | 17      | 24.25          | 22.65 | 20.00 |
| 10      | 15.50          | 13.90 | 11.25 | 18      | 25.50          | 23.90 | 21.25 |
| 11      | 16.75          | 15.15 | 12.50 | 19      | 26.75          | 25.15 | 22.50 |
| 12      | 18.00          | 16.40 | 13.75 | 20      | 28.00          | 26.40 | 23.75 |

|     |           |                 |            |
|-----|-----------|-----------------|------------|
| 2   | CONTACT   | PHOSPHOR BRONZE | BRIGHT Tin |
| 1   | HOUSING   | PA6T,94V-0      | BLACK      |
| NO. | PART NAME | MATERIAL        | REMARK     |