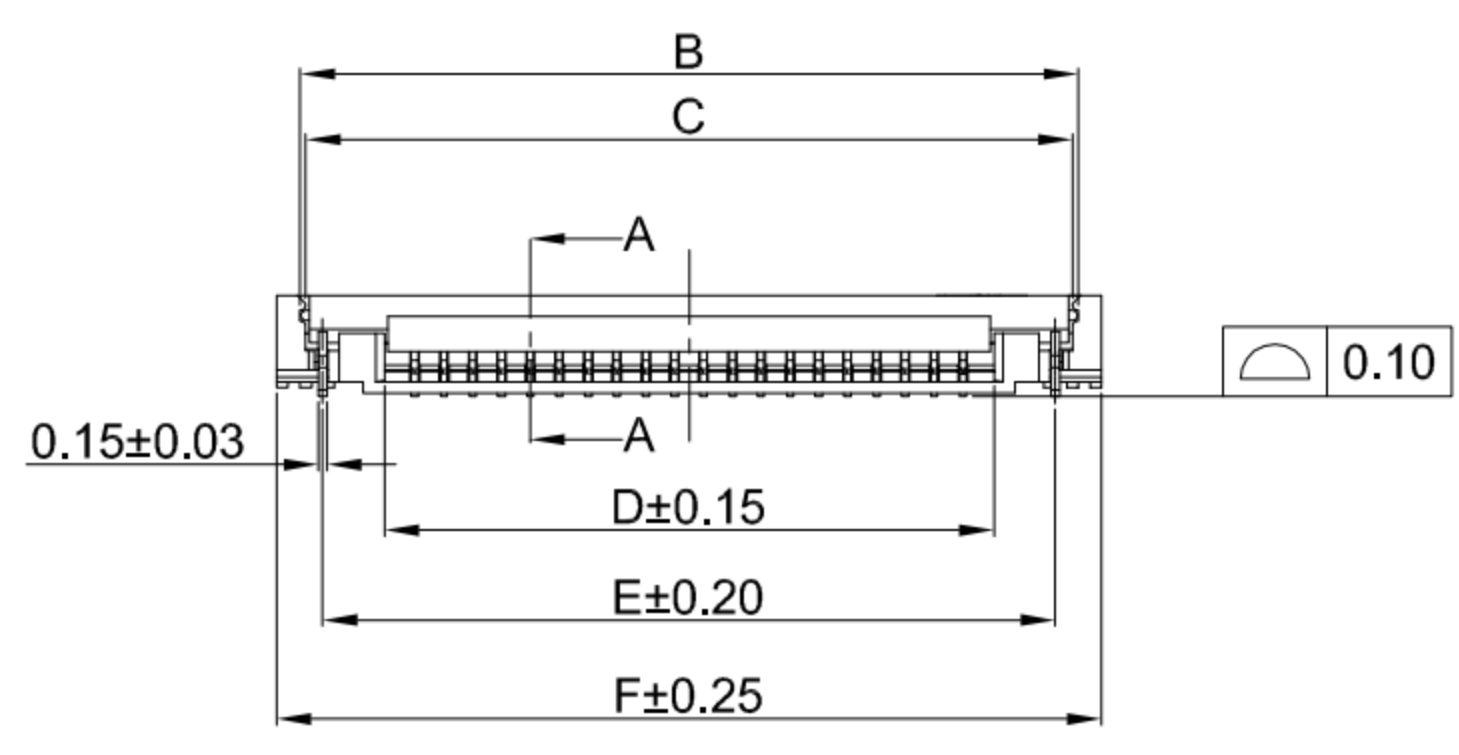
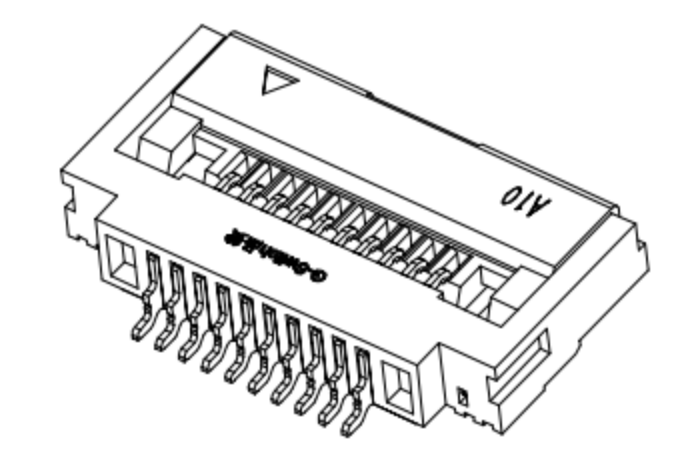


- G-Switch Specification:**
1. Current rated: 0.5A AC/DC
  2. Voltage rating: 50V AC/DC
  3. Withstanding voltage: 250V AC
  4. Contact resistance: 40mΩ max.
  5. Insulation resistance: 500MΩ min
  6. Durability cycle: 20Cycles
  7. Removal force: 0.04kgf/Pin min
  8. Operating temperature range: -25°C ~ +85°C

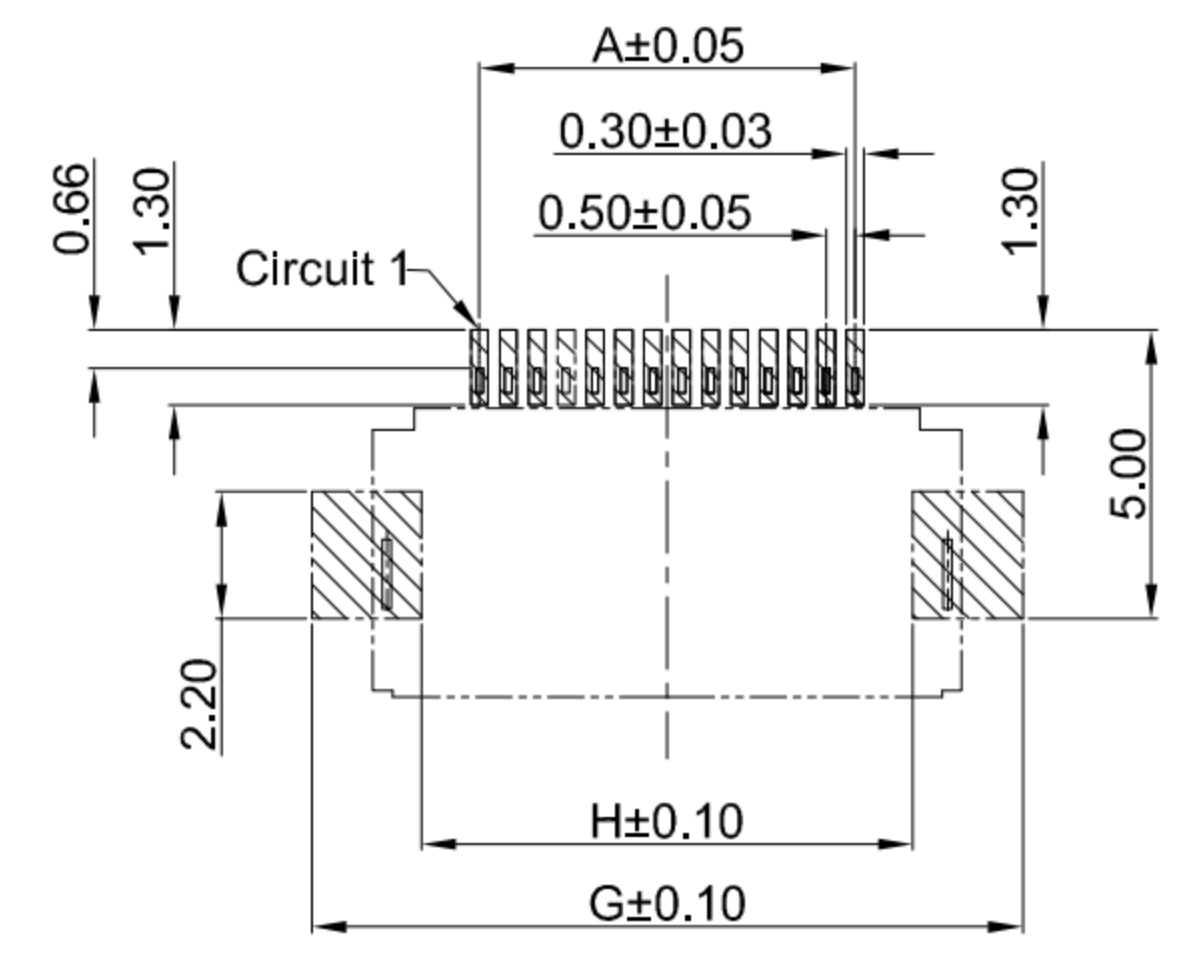
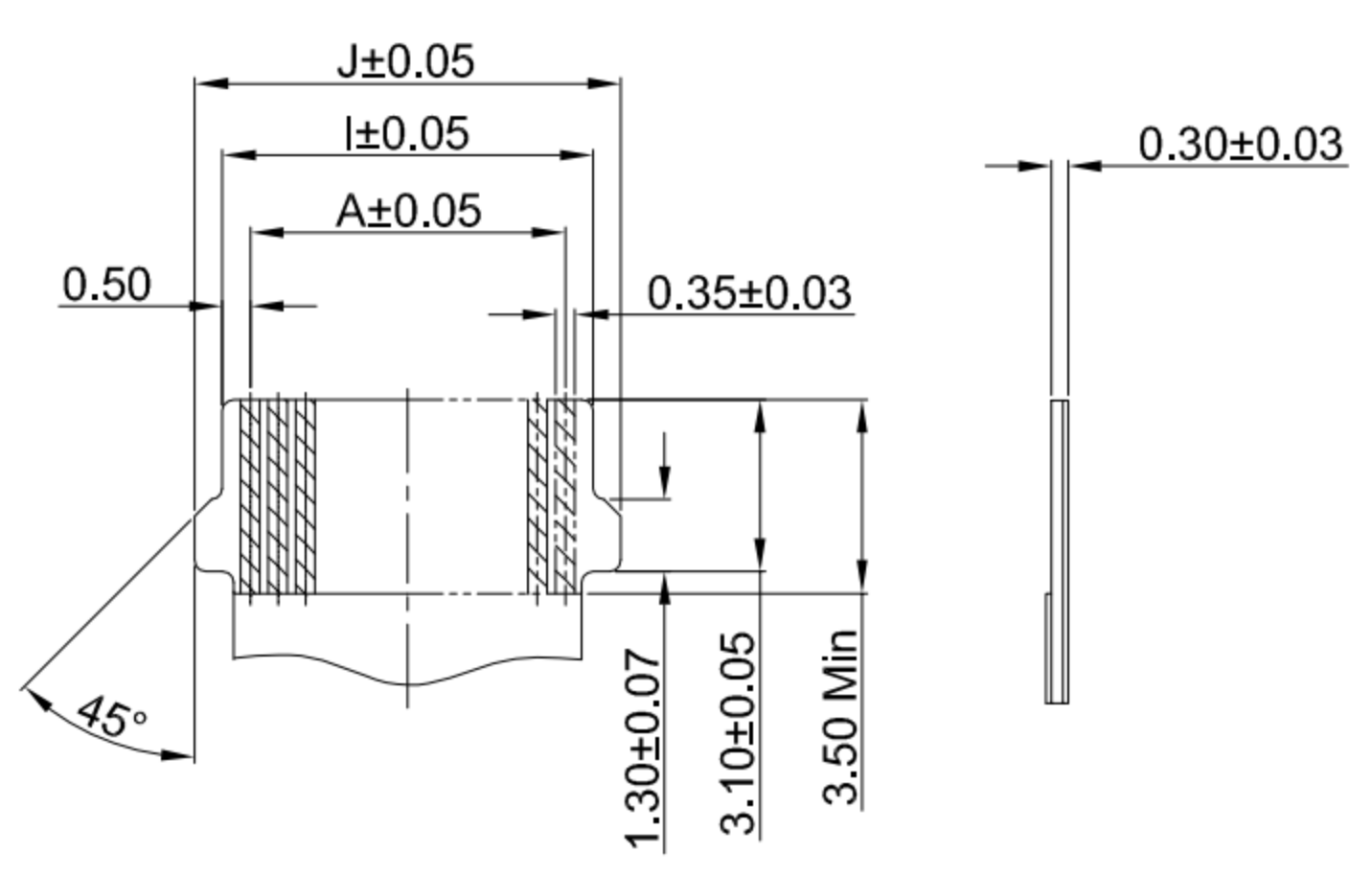


SECTION A-A(2:1)



GT-F0512 S R 18 -XX X XX 01

- G-Switch
- Series No
- Termipoint S-SMT
- Angle R-90°
- Terminal Plating 01-G/F
- Housing Colour S-Nature
- Pin Q' PY 04~50
- Height 18-1.80mm



APPLICABLE FLAT CABLE

RECOMMENDED PCB LAYOUT TOLERANCE:±0.05

**Ordering Information:**

Circuit	Dimensions(mm)									
	A	B	C	D	E	F	G	H	I	J
04	1.50	5.29	5.47	2.57	4.70	6.30	7.30	3.50	2.50	3.90
06	2.50	6.29	6.47	3.57	5.70	7.30	8.30	4.50	3.50	4.90
08	3.50	7.29	7.47	4.57	6.70	8.30	9.30	5.50	4.50	5.90
10	4.50	8.29	8.47	5.57	7.70	9.30	10.30	6.50	5.50	6.90
12	5.50	9.29	9.47	6.57	8.70	10.30	11.30	7.50	6.50	7.90
14	6.50	10.29	10.47	7.57	9.70	11.30	12.30	8.50	7.50	8.90
15	7.00	10.79	10.97	8.07	10.20	11.80	12.80	9.00	8.00	9.40
20	9.50	13.29	13.47	10.57	12.70	14.30	15.30	11.50	10.50	11.90
26	12.50	16.29	16.47	13.57	15.70	17.30	18.30	14.50	13.50	14.90
30	14.50	18.29	18.47	15.57	17.70	19.30	20.30	16.50	15.50	16.90
40	19.50	23.29	23.47	20.57	22.70	24.30	25.30	21.50	20.50	21.90
50	24.50	28.29	28.47	25.57	27.70	29.30	30.30	26.50	25.50	26.90
---	---	---	---	---	---	---	---	---	---	---

4	SOLDER TABS	BRASS	MATTE Tin
3	CONTACT	PHOSPHOR BRONZE	Gold-Flash On Contact Area
2	COVER	LCP,94V-0	BLACK
1	HOUSING	LCP,94V-0	NATURE
NO.	PART NAME	MATERIAL	REMARK

SCALE: 1:1 UNIT: mm  
 SIZE: A4

Unless otherwise General Tolerance:  
 X ±0.40  
 X.x ±0.30  
 X.xx ±0.20  
 X° ±5°  
 X.x° ±3°

Title: FPC 0.50mm Pitch 90° SMT With Lock H1.8mm Connector

Molde Code: GT-F0512SR18-XXXXX01

DRAWN	CHECKED	APPROVED	DATE
Hu	Chen	Chen	2022.12.28



REV: A0 SHEET: 1/1

