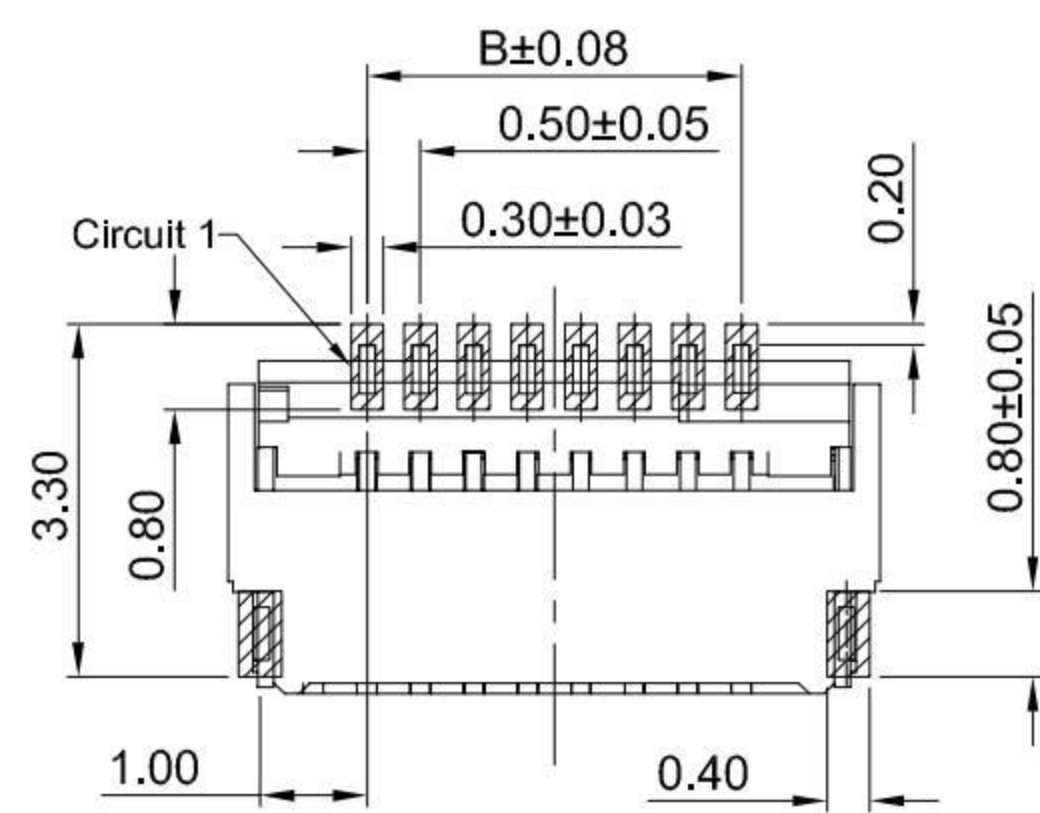
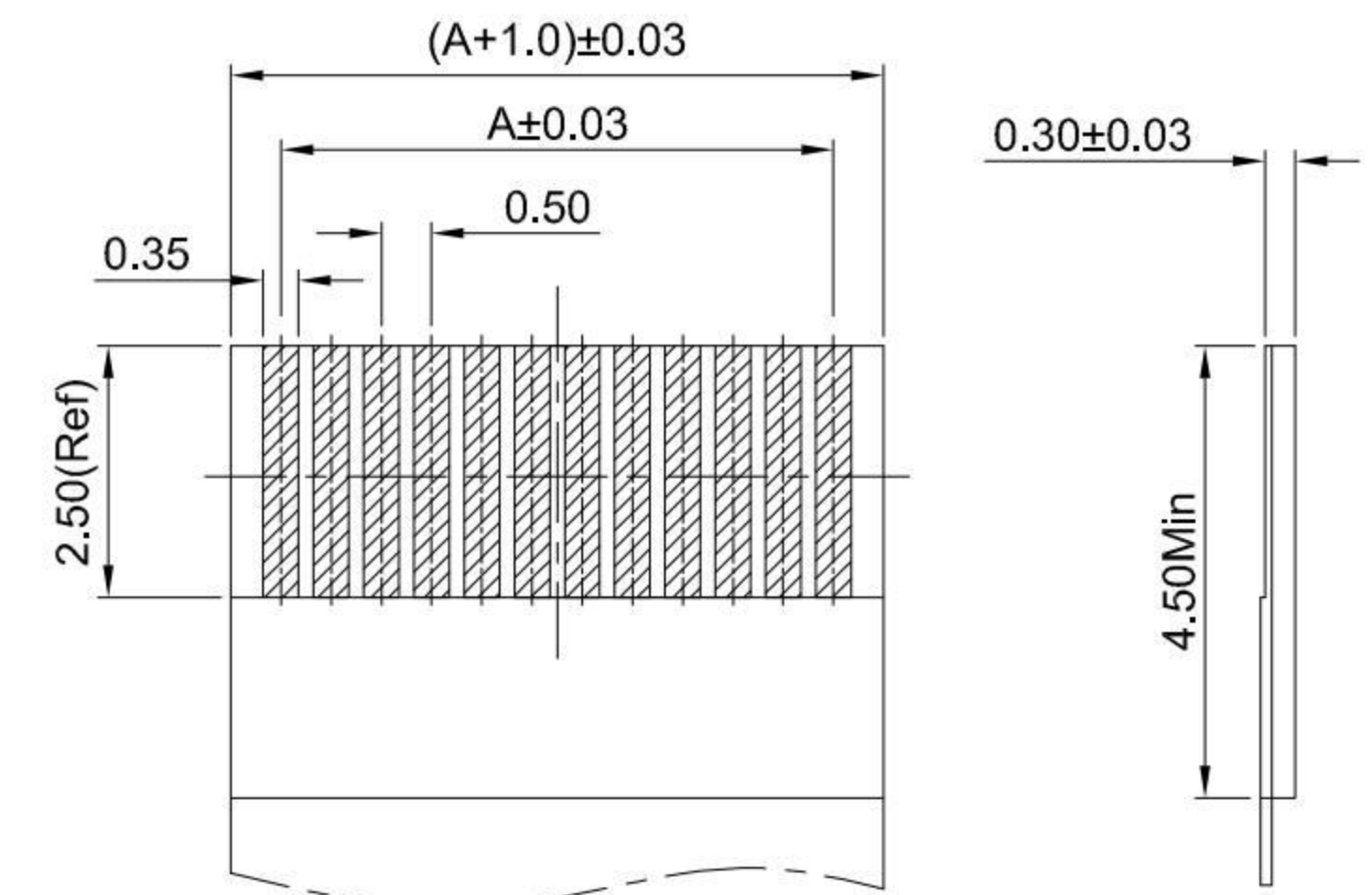
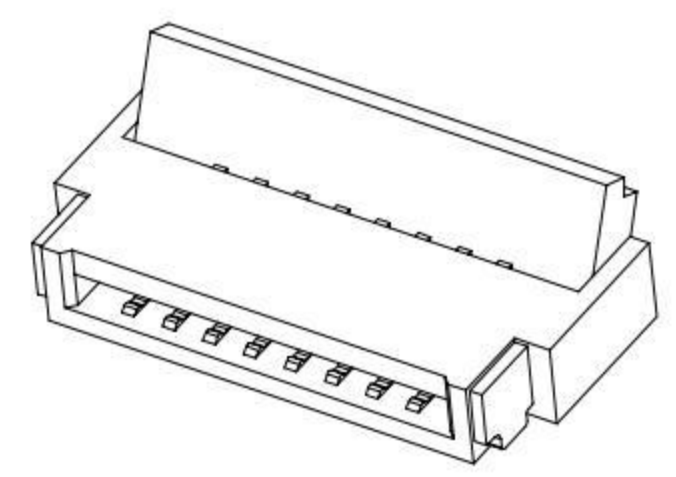
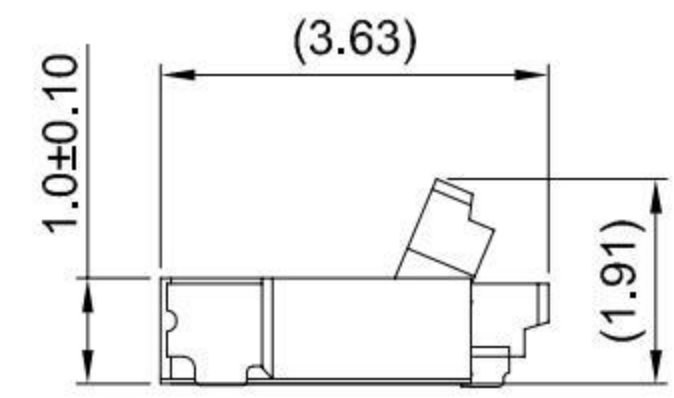
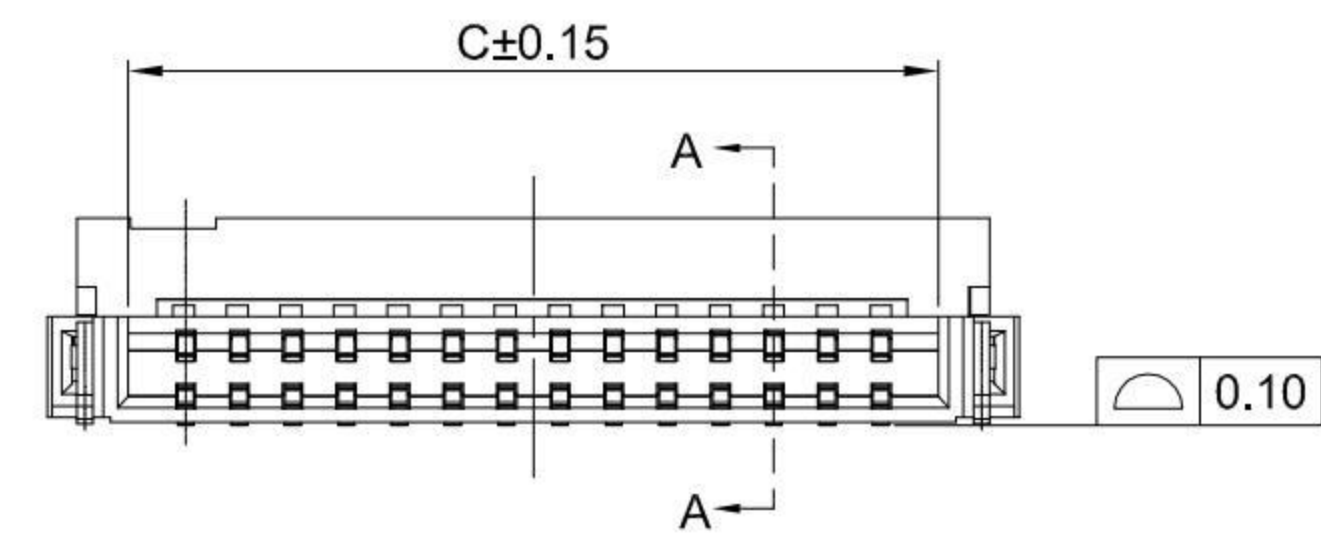


- G-Switch Specification:**
- 1.Current rated: 0.5A AC/DC
 - 2.Voltage rating: 50V AC/DC
 - 3.Withstanding voltage: 500V AC
 - 4.Contact resistance: 20mΩ max.
 - 5.Insulation resistance: 500MΩ min
 - 6.Durability cycle: 20Cycles
 - 7.Removal force: 0.03kgf/Pin min
 - 8.Operating temperature range: -25°C ~ +85°C



GT-F0508 S R 10 -XX X XX 01

- G-Switch**
- Series No**
- Termipoint**
S-SMT
- Angle**
R-90°
- Terminal Plating**
01-G/F
- Housing Colour**
S-Nature
- Pin Q' PY**
04~40
- Height**
10-1.0mm



Ordering Information:

Circuit	Dimensions(mm)			Circuit	Dimensions(mm)		
	A	B	C		A	B	C
04	4.00	1.50	2.60	22	13.00	10.50	11.60
05	4.50	2.00	3.10	24	14.00	11.50	12.60
06	5.00	2.50	3.60	26	15.00	12.50	13.60
08	6.00	3.50	4.60	28	16.00	13.50	14.60
10	7.00	4.50	5.60	30	17.00	14.50	15.60
12	8.00	5.50	6.60	32	18.00	15.50	16.60
14	9.00	6.50	7.60	34	19.00	16.50	17.60
16	10.00	7.50	8.60	36	20.00	17.50	18.60
18	11.00	8.50	9.60	38	21.00	18.50	19.60
20	12.00	9.50	10.60	40	22.00	19.50	20.60

4	SOLDER TABS	BRASS	MATTE Tin
3	CONTACT	PHOSPHOR BRONZE	Gold-Flash On Contact Area
2	COVER	LCP,94V-0	BLACK
1	HOUSING	LCP,94V-0	NATURE
NO.	PART NAME	MATERIAL	REMARK



SCALE: 1:1 UNIT: mm
 SIZE: A4
 Unless otherwise General Tolerance:
 X ±0.40
 X.x ±0.30
 X.xx ±0.20
 X° ±5°
 X.x° ±3°

Title: FPC 0.50mm Pitch 90° SMT Type H1.00mm Back Flip Connector
 Molde Code: GT-F0508SR10-XXXXX01
 DRAWN: JIANG CHECKED: HU APPROVED: CHEN DATE: 2021.06.28



REV: A0 SHEET: 1/1