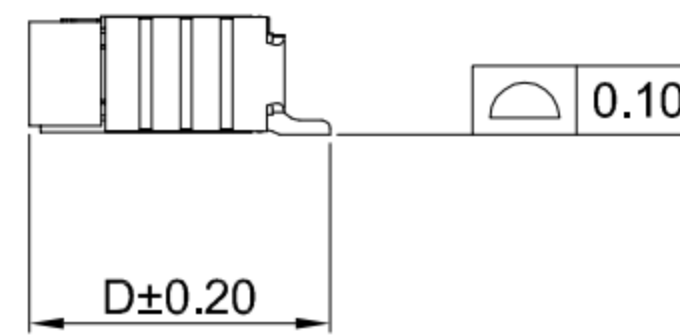
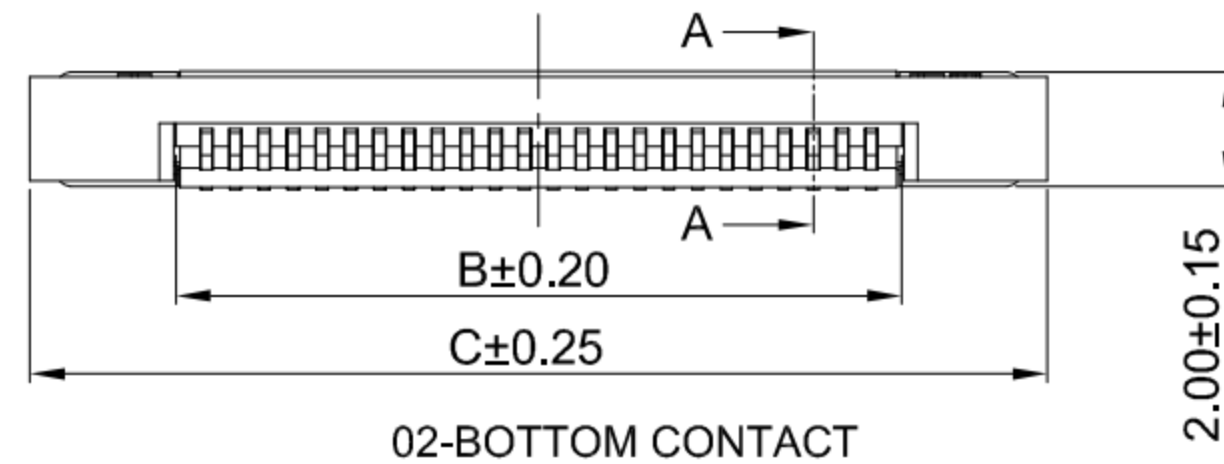
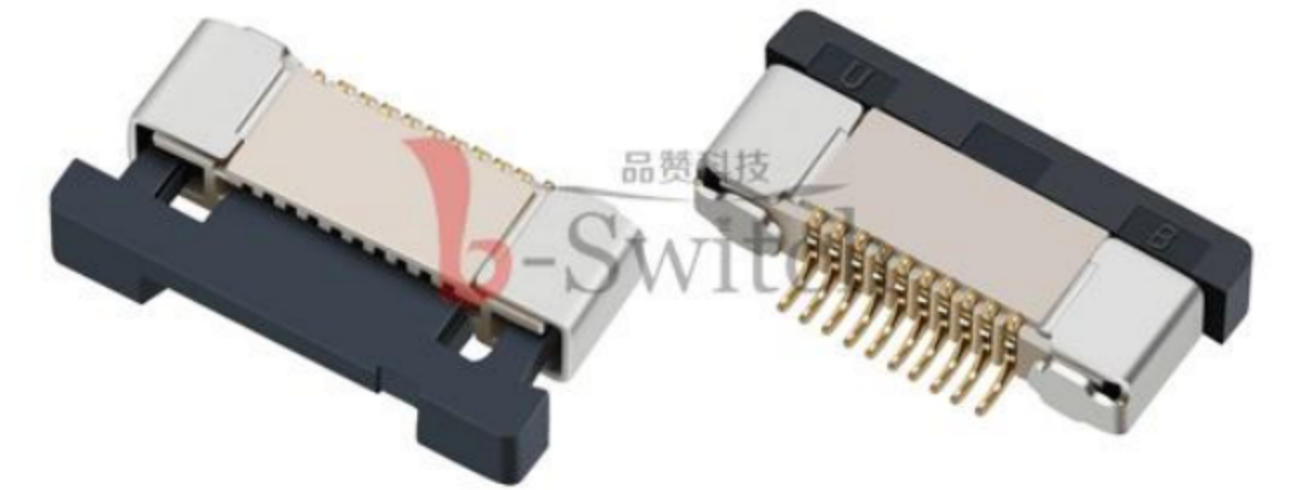
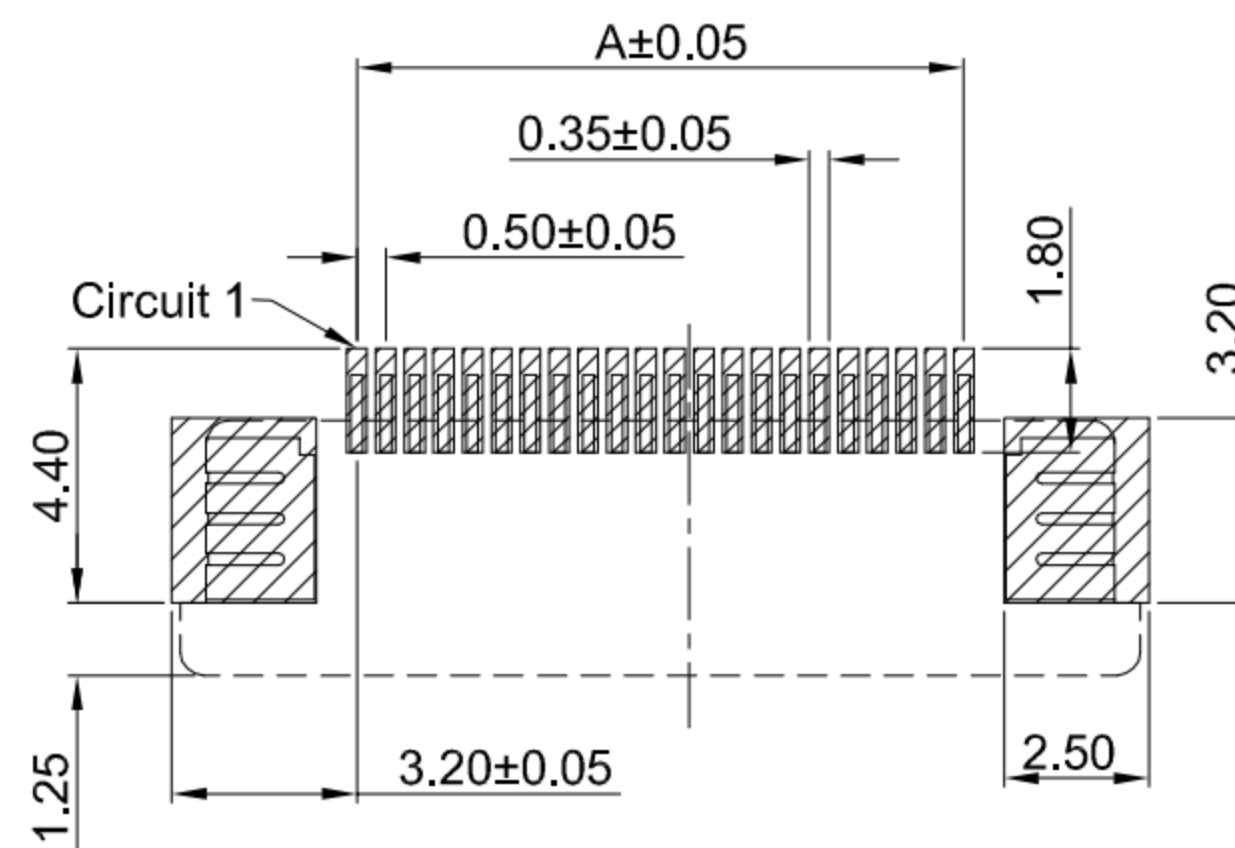
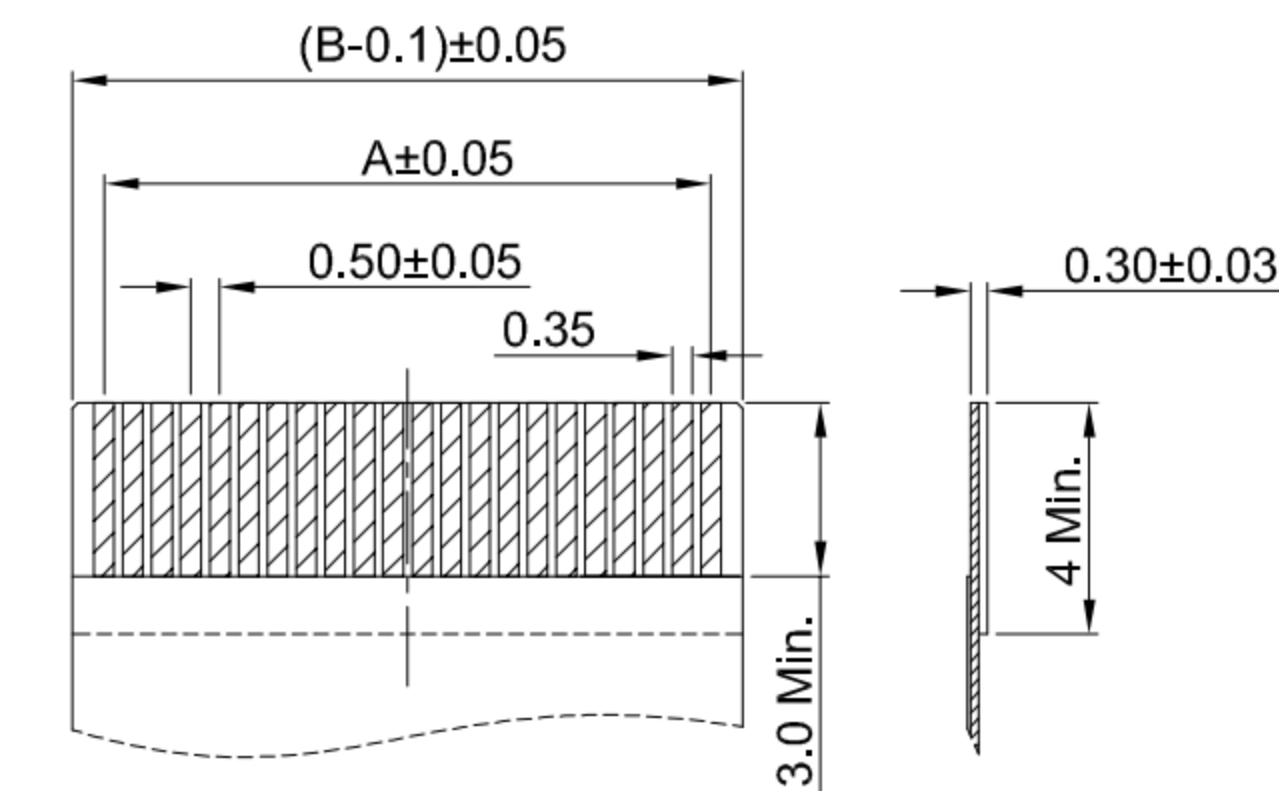
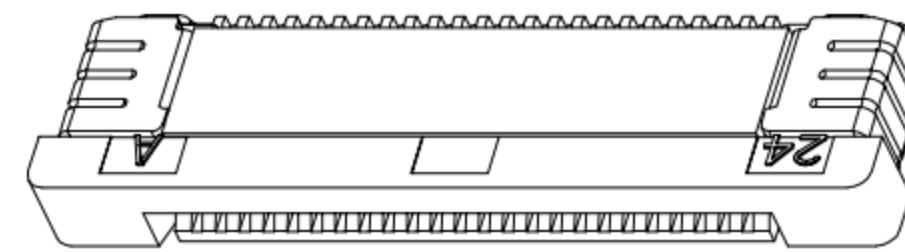
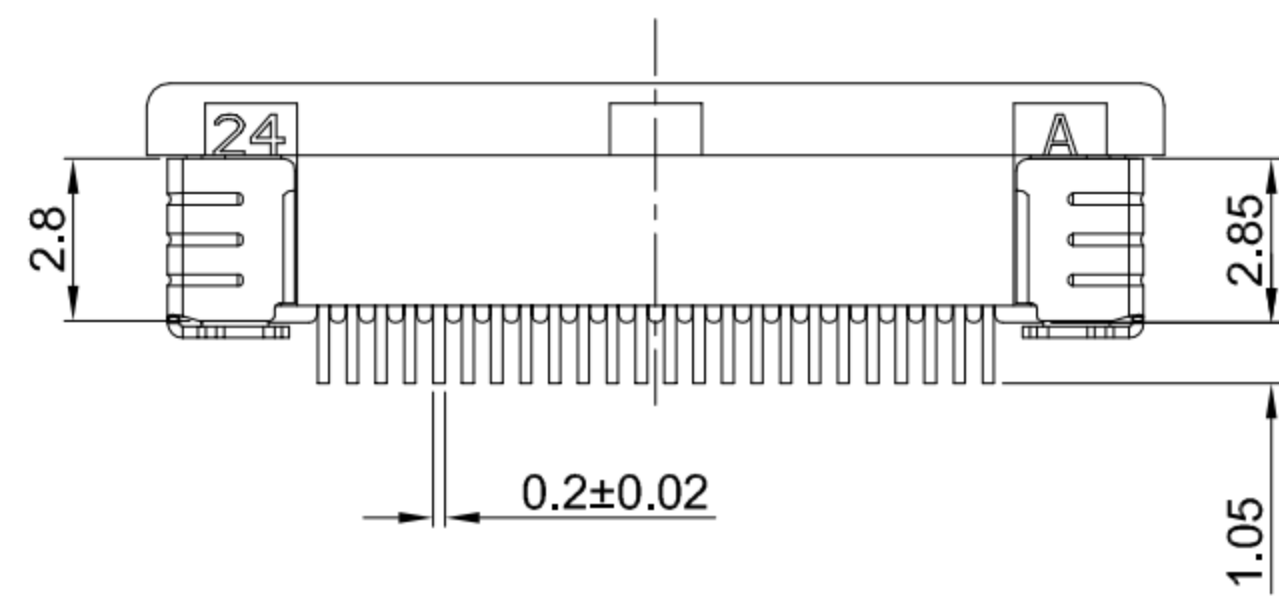


- G-Switch Specification:**
- 1.Current rated: 0.5A AC/DC
 - 2.Voltage rating: 50V AC/DC
 - 3.Withstanding voltage: 250V AC for 1 min
 - 4.Contact resistance: 30mΩ max.
 - 5.Insulation resistance: 100MΩ min
 - 6.Durability cycle: 30Cycles
 - 7.Removal force: 0.04kgf/Pin min
 - 8.Operating temperature range: -55°C ~ +85°C



GT-F0504 S R 20 -XX X XX 02

- G-Switch**
- Series No**
- Termipoint**
S-SMT
- Angle**
R-90°
- Height**
20-2.0mm
- Contact**
01-Upper Contact
02-Bottom Contact
- Terminal Plating**
11-All G/F
MT-Matte Tin
- Housing Colour**
S-Nature
- Pin Q' PY**
04-60



Ordering Information:

Circuit	Dimensions(mm)				Circuit	Dimensions(mm)				Circuit	Dimensions(mm)			
	A	B	C	D		A	B	C	D		A	B	C	D
04	1.50	2.56	7.60	5.20	23	11.00	12.06	17.10	5.20	42	20.50	21.56	26.60	
05	2.00	3.06	8.10		24	11.50	12.56	17.60		43	21.00	22.06	27.10	
06	2.50	3.56	8.60		25	12.00	13.06	18.10		44	21.50	22.56	27.60	
07	3.00	4.06	9.10		26	12.50	13.56	18.60		45	22.00	23.06	28.10	
08	3.50	4.56	9.60		27	13.00	14.06	19.10		46	22.50	23.56	28.60	
09	4.00	5.06	10.10		28	13.50	14.56	19.60		47	23.00	24.06	29.10	
10	4.50	5.56	10.60		29	14.00	15.06	20.10		48	23.50	24.56	29.60	
11	5.00	6.06	11.10		30	14.50	15.56	20.60		49	24.00	25.06	30.10	
12	5.50	6.56	11.60		31	15.00	16.06	21.10		50	24.50	25.56	30.60	
13	6.00	7.06	12.10		32	15.50	16.56	21.60		51	25.00	26.06	31.10	
14	6.50	7.56	12.60		33	16.00	17.06	22.10		52	25.50	26.56	31.60	
15	7.00	8.06	13.10		34	16.50	17.56	22.60		53	26.00	27.06	32.10	
16	7.50	8.56	13.60		35	17.00	18.06	23.10	54	26.50	27.56	32.60		
17	8.00	9.06	14.10		36	17.50	18.56	23.60	55	27.00	28.06	33.10		
18	8.50	9.56	14.60		37	18.00	19.06	24.10	56	27.50	28.56	33.60		
19	9.00	10.06	15.10		38	18.50	19.56	24.60	57	28.00	29.06	34.10		
20	9.50	10.56	15.60		39	19.00	20.06	25.10	58	28.50	29.56	34.60		
21	10.00	11.06	16.10		40	19.50	20.56	25.60	59	29.00	30.06	35.10		
22	10.50	11.56	16.60		41	20.00	21.06	26.10	60	29.50	30.56	35.60		

4	SOLDER TABS	BRASS	MATTE Tin
3	CONTACT	PHOSPHOR BRONZE	ALL Au G/F OR MATTE Tin
2	COVER	LCP,94V-0	BLACK
1	HOUSING	LCP,94V-0	NATURE
NO.	PART NAME	MATERIAL	REMARK



SCALE: 1:1 UNIT: mm
SIZE: A4

Title: FPC 0.50mm Pitch 90° SMT Bottom Contact
Type H2.0mm Connector

Unless otherwise
General Tolerance:

X	±0.40
X.x	±0.30
X.xx	±0.20
X*	±5°
X.x°	±3°

Molde Code: GT-F0504SR20-XXXXX02

DRAWN	CHECKED	APPROVED	DATE
Jiang	Hu	Chen	2021.06.28



REV: A0 SHEET: 1/1