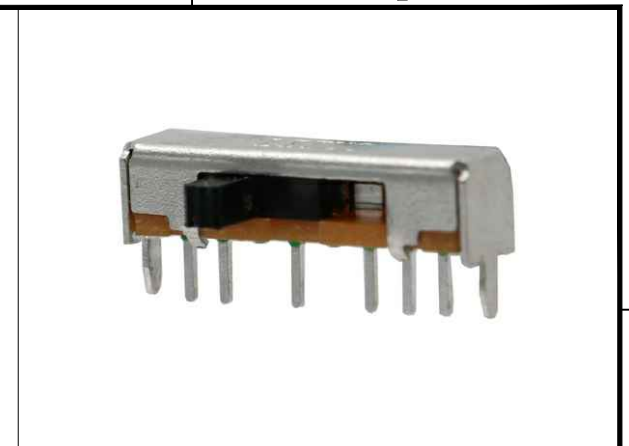


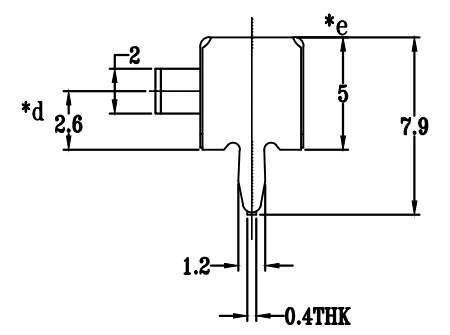
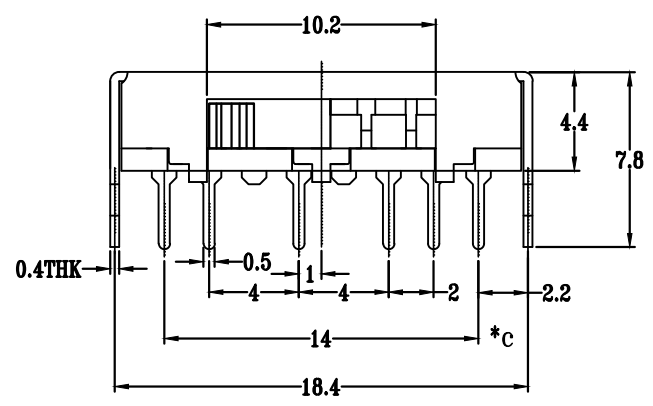
P.C.B LAYOUT  
BOTTOM VIEW



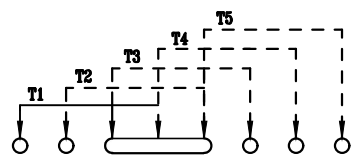
### SK-15D01-GXXX

横柄  
G-Switch P/N

- Switch Height (mm)**  
 G020=2.0 G030=3.0  
 G040=4.0 G050=5.0  
 G055=5.5 G060=6.0  
 G065=6.5 G070=7.0  
 G075=7.5 G080=8.0  
 G085=8.5 G090=9.0  
 G095=9.5 G100=10.0



**G-Switch Specification:**  
 Electrical Specifications: 1.0A/DC24V  
 Contact resistance (CR): ≤50mΩ  
 Insulation Resistance(IR): ≥100MΩ DC250V  
 Compressive strength (WV): AC250V 1minute  
 Operating temperature: -25°C~+70°C  
 Storage humidity: <85%RH  
 Electrical life: 10,000Cycles.



SCHEMATIC (SHORTING)



	<b>G-Switch Electronic (HongKong) CO.,Ltd.</b>		
	DESIGN FengFengChen CHECKED APPROVED <a href="http://www.dg-switch.com">http://www.dg-switch.com</a> TEL:0769-82388879	DATE 2019.05.29 DATE DATE http://www.dg-switch.com TEL:0769-82388879	Molde code: <b>SK-15D01-GXXX</b> REV.: X1 SCALE: 4:1 UNIT: mm SIZE: A4 SHEET: 1/1

1  
2  
3  
4  
5

1  
2  
3  
4  
5