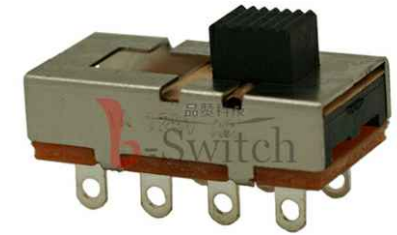


P.C.B LAYOUT
BOTTOM VIEW



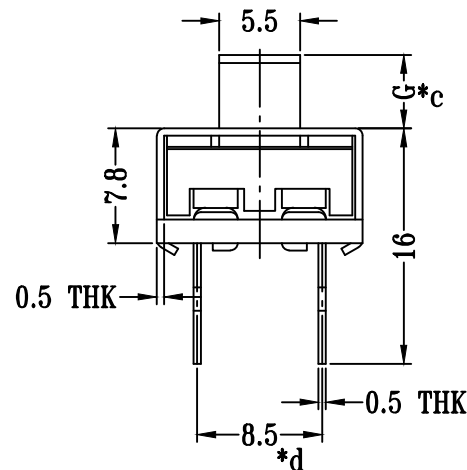
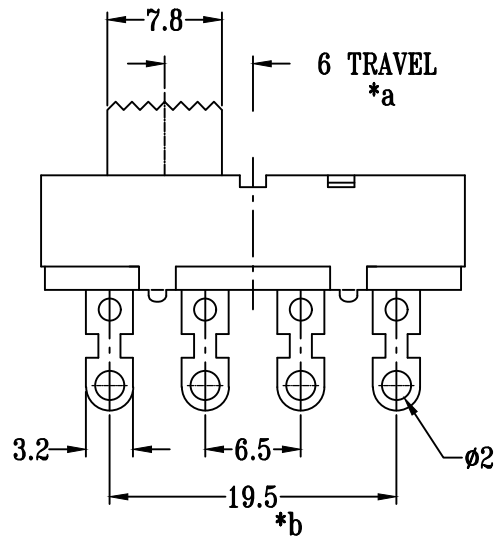
SS-23L02-GXXX

直柄

G-Switch P/N

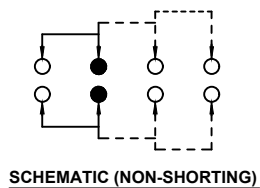
Switch Height (mm)

G020=2.0 G030=3.0
G040=4.0 G050=5.0
G055=5.5 G060=6.0
G065=6.5 G070=7.0
G075=7.5 G080=8.0
G085=8.5 G090=9.0
G095=9.5 G100=10.0



G-Switch Specification:

Electrical Specifications: 1.0A/DC24V
Contact resistance (CR): $\leq 50\text{m}\Omega$
Insulation Resistance(IR): $\geq 100\text{M}\Omega$ DC250V
Compressive strength (WV): AC250V 1minute
Operating temperature: $-25^{\circ}\text{C}\sim+70^{\circ}\text{C}$
Storage humidity: $<85\%\text{RH}$
Electrical life: 10,000Cycles.



G-Switch Electronic (HongKong) CO.,Ltd.

Unless otherwise specified, Tolerance:
X. ± 0.30
X.x ± 0.20
X.xx ± 0.15
X.xxx ± 0.10
Angles $\pm 3^{\circ}$

DESIGN FengFengChen DATE 2019.05.29
CHECKED DATE
APPROVED DATE
<http://www.dg-switch.com>
TEL:0769-82388879

Molde code:
SS-23L02-GXXX
REV.: X1 SCALE: 4:1 UNIT: mm
SIZE: A4 SHEET: 1/1