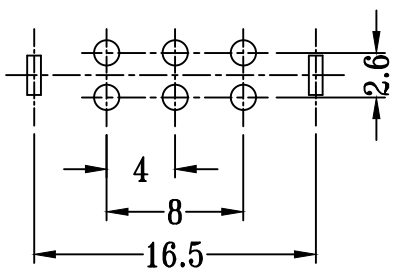
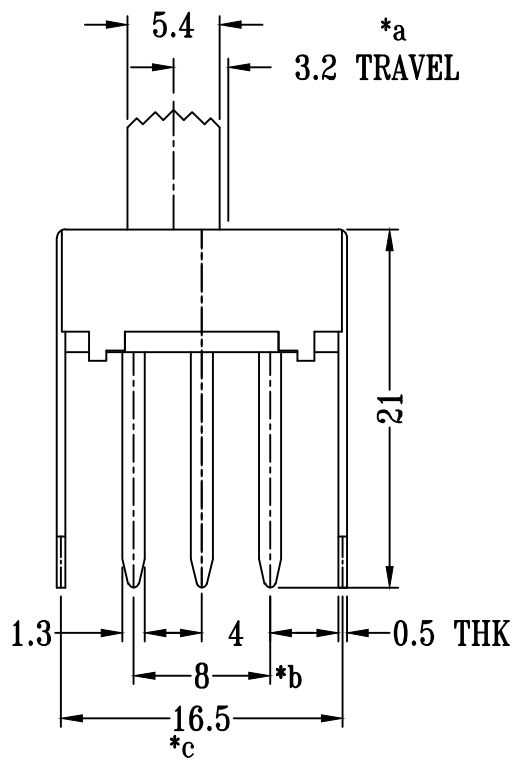


### SS-22F20-GXXX

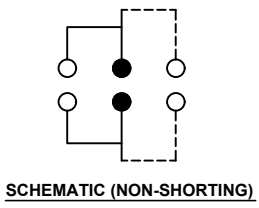
直柄  
G-Switch P/N

- Switch Height (mm)**
- G020=2.0 G030=3.0
  - G040=4.0 G050=5.0
  - G055=5.5 G060=6.0
  - G065=6.5 G070=7.0
  - G075=7.5 G080=8.0
  - G085=8.5 G090=9.0
  - G095=9.5 G100=10.0



**P.C.B LAYOUT  
BOTTOM VIEW**

**G-Switch Specification:**  
 Electrical Specifications: 1.0A/DC24V  
 Contact resistance (CR): ≤50mΩ  
 Insulation Resistance(IR): ≥100MΩ DC250V  
 Compressive strength (WV): AC250V 1minute  
 Operating temperature: -25°C~+70°C  
 Storage humidity: <85%RH  
 Electrical life: 10,000Cycles.



	<b>G-Switch Electronic (HongKong) CO.,Ltd.</b>		
	DESIGN FengFengChen	DATE 2019.05.29	Molde code:
Unless otherwise specified, Tolerance:	CHECKED	DATE	SS-22F20-GXXX
X. ±0.30	APPROVED	DATE	
X.x ±0.20	<a href="http://www.dg-switch.com">http://www.dg-switch.com</a>		REV.: X1
X.xx ±0.15	TEL:0769-82388879		SCALE: 4:1
X.xxx ±0.10			UNIT: mm
Angles ±3°			SIZE: A4
			SHEET: 1/1