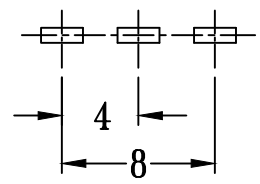
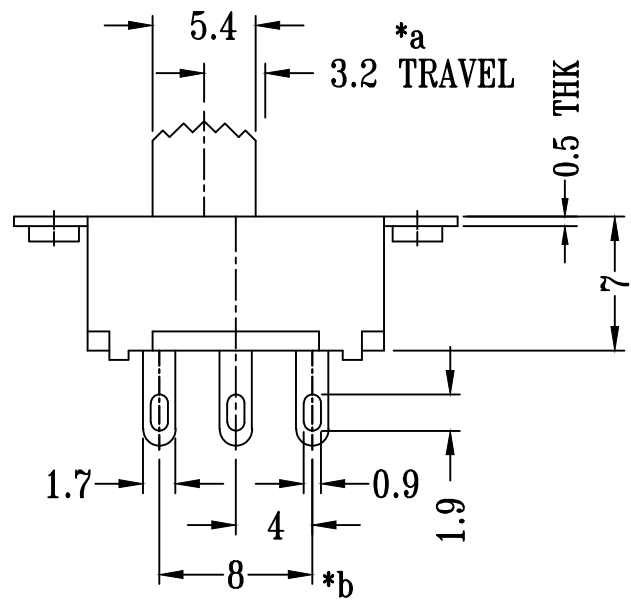


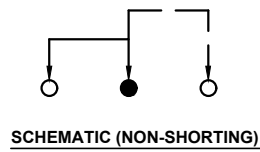
**SS-12F13-GXXX**

直柄  
G-Switch P/N  
Switch Height(mm)  
G020=2.0 G030=3.0  
G040=4.0 G050=5.0  
G055=5.5 G060=6.0  
G065=6.5 G070=7.0  
G075=7.5 G080=8.0  
G085=8.5 G090=9.0  
G095=9.5 G100=10.0



**P.C.B LAYOUT  
BOTTOM VIEW**

**G-Switch Specification:**  
Electrical Specifications: 1.0A/DC24V  
Contact resistance (CR): ≤50mΩ  
Insulation Resistance(IR): ≥100MΩ DC250V  
Compressive strength (WV): AC250V 1minute  
Operating temperature: -25°C~+70°C  
Storage humidity: <85%RH  
Electrical life: 10,000Cycles.



品赞科技® Unless otherwise specified, Tolerance: X. ±0.30 X.x ±0.20 X.xx ±0.15 X.xxx ±0.10 Angles ±3°	<b>G-Switch Electronic (HongKong) CO.,Ltd.</b>	
	DESIGN FengFengChen	DATE 2019.05.29
CHECKED	DATE	Molde code: <b>SS-12F13-GXXX</b>
APPROVED	DATE	
<a href="http://www.dg-switch.com">http://www.dg-switch.com</a>		REV.: X1
TEL:0769-82388879	SCALE: 4:1	UNIT: mm
SIZE: A4	SHEET: 1/1	